



ENGLISH

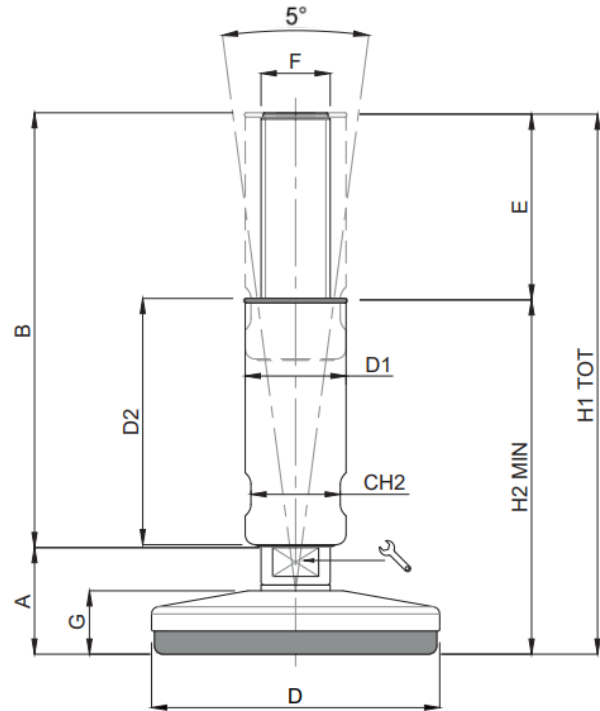
## RS PRO Stainless Steel Articulated Hygienic Foot


The RS Pro Height Adjustable Hygienic Foot mounts have a solid AISI 304 stainless steel polished base and a NBR 90 shore glued anti-slip pad. This range have a 5° articulated half-threadless hygienic stem and a stainless steel thread-covering sleeve, making it easy to clean. It has a top sleeve, mounted with a bottom internal and a top external black silicon gasket, which covers the remaining threaded part and seals all the possible cavities where otherwise dirt and debris would infiltrate.

### USDA Accepted

Typical Applications Include:

- Dairy and Meat Processing
- Hygienic Environments
- Food processing



Article Number	E	F	B	D		G	A	D1	D2	CH2	H2	H1	Load (kg)
2378159	65	M24	150	120	20	22	38	35	85	30	123	187	4000