



Datasheet

RS PRO Accessories for DIN rail

Stock number: 2069083

EN

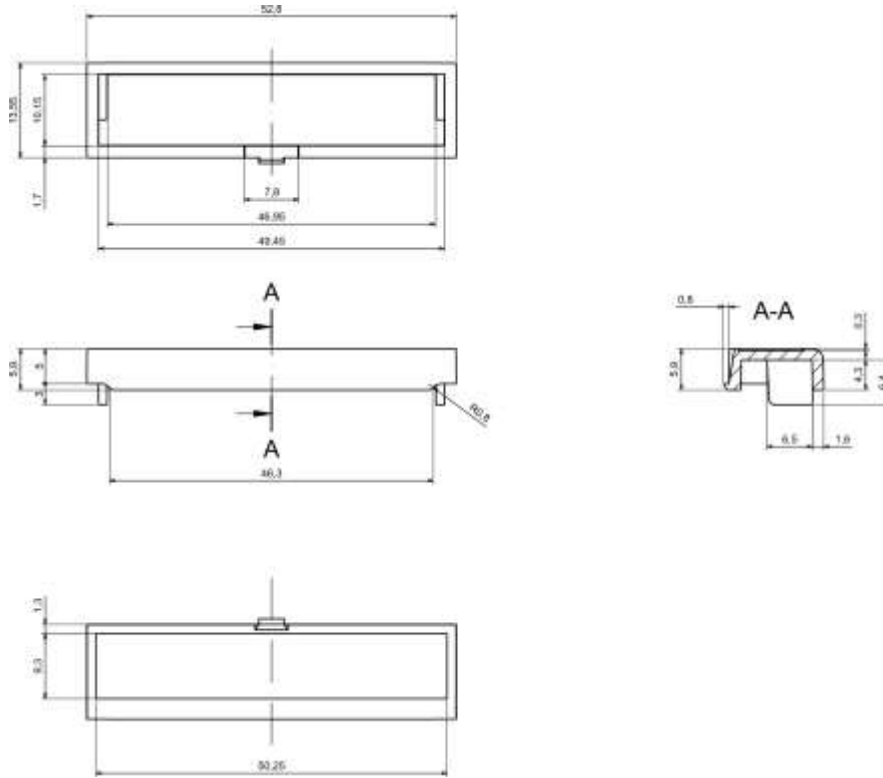


Product Details

Three module slot mask. Recommended when it is necessary to use convenient outputs from the board, e.g. USB sockets, RJ or others. Slot mask designed for ZD1006, ZD1009 enclosures.

Features and Benefits

- Terminal cover for sockets for three module slot.



Category	Accessories
Material	ABS V0
Height	8.0 mm
Width	13.6 mm
Length	52.8 mm
Color	Lightgray (J)
Standards Met	RoHS Compliant
Certificate number	

