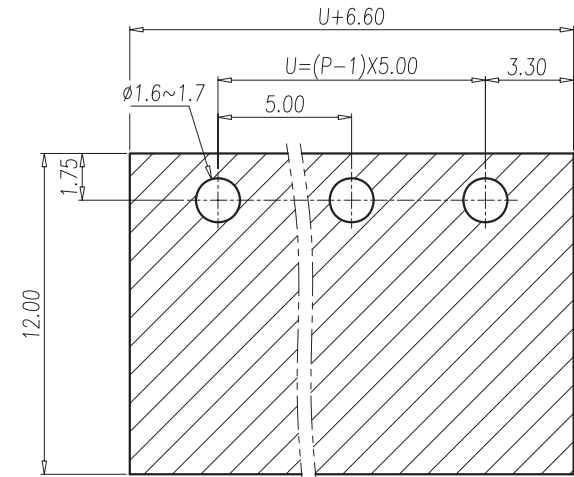
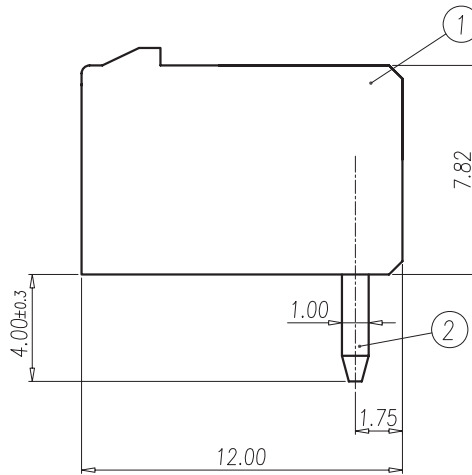
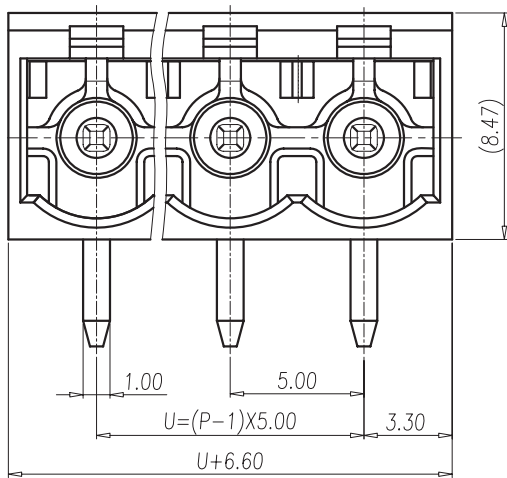


NOTES:

1. Rating: 300V 15A (IEC 250V 12A)  
PITCH: 5.00mm
2. Insulation Withstands Voltage:  
AC 2000V at 1 minute
3. Insulation Resistance:  
500MΩ or more at DC500V
4. Using Temperature Range:  
-40°C~+105°C
5. RoHS Compliance.



P.C.B. LAYOUT(REF)



P	2	3	4	5	6	7	8	9	10	11	12		
U	5.00	10.00	15.00	20.00	25.00	30.00	35.00	40.00	45.00	50.00	55.00		
P	13	14	15	16	17	18	19	20	21	22	23	24	
U	60.00	65.00	70.00	75.00	80.00	85.00	90.00	95.00	100.00	105.00	110.00	115.00	

Normal Geometric Tolerancing				
-	//	≡	⊥	
0 to 100	0.2	0.3	0 to 10	0.2
over 100 to 150	0.3		over 10	0.3
over 150	0.5			
Total Pitch Tolerances		Normal dimension Tolerances		
0<U<=30	±0.20	0~30	±0.25	
30<U<=53	±0.25	over 30~53	±0.30	
53<U<=70	±0.30	over 53~70	±0.35	
70<U<=90	±0.35	over 70~90	±0.44	
90<U<=115	±0.44	over 90~115	±0.55	
115<U<=150	±0.55	over 115~150	±0.70	
150<U<=200	±0.70	over 150~200	±0.85	

2	SOLDER PIN	COPPER ALLOY	TIN PLATED
1	HOUSING	PA66	UL94-V0 GREEN
ITEM	NAME OF PART	MATERIAL	NOTES

DWG.	LWF	DATE	11.04.21	UNITS	MM	SHEET/OF	1 / 1
CHK.		DATE		SCALE	5:1 ( : )		
APP.		DATE		NAME	20.95MH/XX		
				DWG NO.			



3				
REV.	CONTENT	CHK.	DATE	