

## FEATURES

- 24 V dc Supply Voltage
- Sintered bronze bearings
- Spur gear head
- Five pole armature with VDR suppression

## RS PRO, 24 V dc, 30 Ncm DC Geared Motor, Output Speed 30 rpm

RS Stock No.: 258-8344



RS Professionally Approved Products bring to you professional quality parts across all product categories. Our product range has been tested by engineers and provides a comparable quality to the leading brands without paying a premium price.

### Product Description

From RS Pro, this DC geared motor is ideal for low speed applications that require high starting torque. The brushed motor ensure a low cost and simplified design, while offering versatility and reliability. A robust unit with a high quality five pole armature, this DC motor is fitted with an all metal gearhead with sintered iron gears running on hardened steel shafts. With a spur gearbox, the output shaft runs in sintered bronze bearings that facilitate high torque transfer from the motor through the gearbox.

### General Specifications

<b>Output Speed (No Load)</b>	30rpm
<b>Gearhead Type</b>	Spur
<b>Power Rating</b>	1.692 W
<b>Applications</b>	Vending machines, Magnetic card readers, Printer mechanisms, Actuators, All types of coin control systems

### Electrical Specifications

<b>Supply Voltage</b>	24V dc
<b>Maximum Output Torque</b>	30Ncm

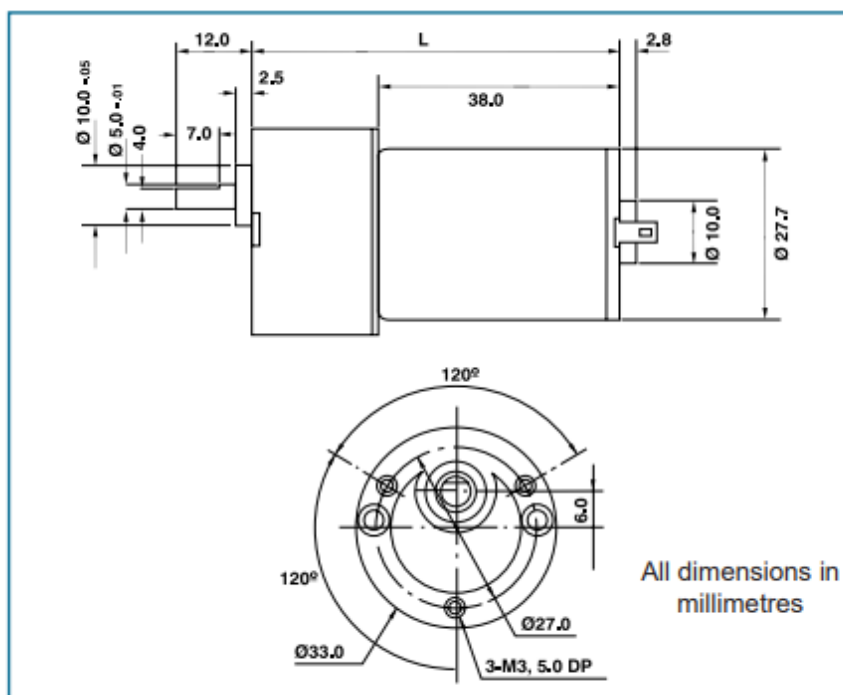
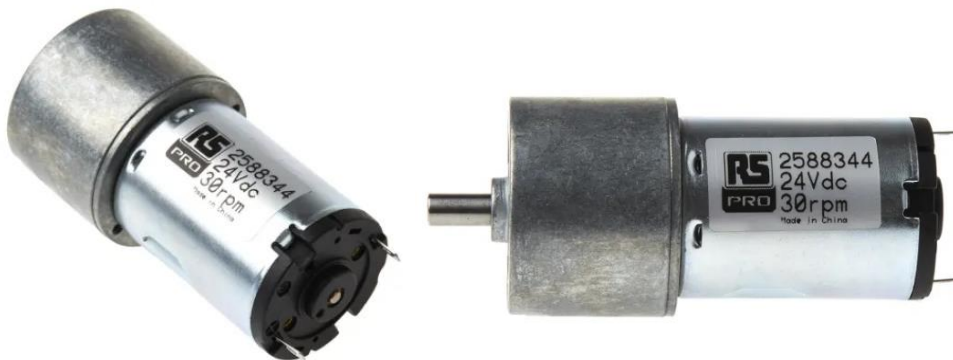
### Mechanical Specifications

<b>Shaft Diameter</b>	5mm
<b>Core Construction</b>	Iron Core
<b>Dimensions</b>	62.3mm x 27.7mm
<b>Length</b>	62.3mm
<b>Width</b>	27.7mm
<b>Weight</b>	140gms

Gearbox Housing Material	Metal
Radial Load (10mm from flange)	50N
Shaft Axial Load	33N
Radial Play of Shaft	0.08mm
Thrust Play of Shaft	0.502mm

### Approvals

Compliance/Certifications	2011/65/EU and 2015/863
Standards Met	ANSI/ESD S20.20:2014 and BS EN 61340-5-1:2007



## DC Geared Motors



Type	Voltage(V)	Ratio	*Output Rotation	Length (L) (mm)	Maximum Torque (mNm)	Nominal No load speed rev/min	Nominal No load current mA
0132-0008	12	8:1	CCW	57.8	50	700	70
0196-0008	12					460	50
0267-0008	24					680	50
0380-0008	24					475	30
0132-0020	12	20:1	CW	57.8	100	280	70
0196-0020	12					180	50
0267-0020	24					270	50
0380-0020	24					190	30
0132-0050	12	50:1	CCW	57.8	200	110	70
0196-0050	12					70	50
0267-0050	24					105	50
0380-0050	24					75	30
0132-0125	12	125:1	CW	62.3	300	44	70
0196-0125	12					29	50
0267-0125	24					43	50
0380-0125	24					30	30
0132-0312	12	312:1	CCW	62.3	300	18	70
0196-0312	12					11	50
0267-0312	24					17	50
0380-0312	24					12	30
0132-0781	12	781:1	CW	66.8	300	7	70
0196-0781	12					5	50
0267-0781	24					7	50
0380-0781	24					5	30
0132-1953	12	1953:1	CCW	66.8	300	3	70
0196-1953	12					2	50
0267-1953	24					3	50
0380-1953	24					2	30

