



EN

Datasheet

RS PRO NYLON-INSULATED CORD END TERMINALS

Stock number: 178-7325

MAXIMUM ELECTRIC CURRENT:

A.W.G.	10
AMP.	50

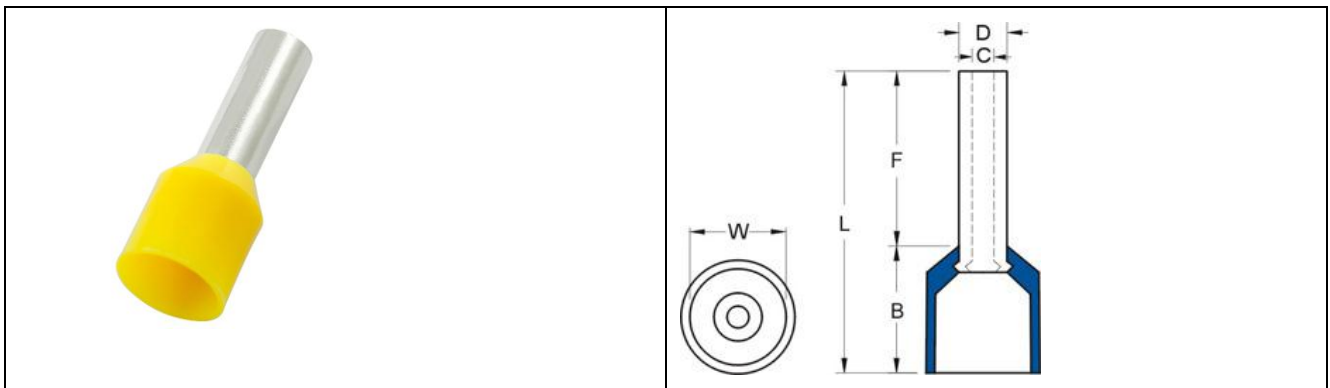
MAXIMUM ELECTRICAL RATING: 105° C 600 VOLTS MAX.

INSULATION MATERIAL: NYLON

TERMINAL MATERIAL: COPPER TUBE

SURFACE TREATMENT: TIN PLATE

INSULATION COLOR: YELLOW



WIRE RANGE A.W.G. mm ²	ITEM NO.	DIMENSION inch(mm)					
		F	L	W	B	D	C
10 A.W.G.							
6 mm ²	<input checked="" type="checkbox"/> 178-7325	0.709 18	1.024 26	0.248 6.3	0.338 8.5	0.154 3.900	0.138 3.5