

## FEATURES

- Rugged construction
- Universal XLR panel cut out
- No special tooling required
- Front or back panel mounting

## RS PRO USB Connector, Panel Mount, Socket 2.0 A, B, Straight- Dual Port

RS Stock No.: 124-6393



RS Professionally Approved Products bring to you professional quality parts across all product categories. Our product range has been tested by engineers and provides a comparable quality to the leading brands without paying a premium price.

### Product Description

A range of RS PRO USB gender changer sockets in rugged XLR housings. The USB connectors convert from USB 2 A to B or USB 2 B to A. Designed to accommodate USB2 data feeds into professional broadcasting, audio and lighting applications. Housings are constructed from nickel plated zinc and are available in self-coloured or black options. Suitable for front or rear panel mounting.

Available in this Range - 2.0 USB Connector, Receptacle

- [862-1579](#) USB A to B Socket – self-colour
- [862-1573](#) USB B to A Socket – self-colour
- [124-6392](#) USB A to B Socket - Black metal
- [124-6393](#) USB B to A Socket – Black metal

### General Specifications

<b>Gender</b>	Female
<b>Mounting Type</b>	Panel Mount
<b>USB Type</b>	A, B
<b>USB Version</b>	2.0
<b>Body Orientation</b>	Straight
<b>Number of Ports</b>	2
<b>Colour</b>	Black
<b>Insert Material</b>	ABS
<b>Frame Material</b>	Nickel plated zinc die cast
<b>Shell Material</b>	Nickel plated steel
<b>Termination Method</b>	USB2 A/B plug

### Electrical Specifications

<b>Current Rating</b>	1.5A
<b>Voltage Rating</b>	30Vac
<b>Contact Resistance</b>	30mΩ
<b>Insulation Resistance</b>	20MΩ min
<b>Dielectric withstanding voltage</b>	500Vac

**Operation Environment Specifications**

Minimum Operating Temperature	-20.0°C
Maximum Operating Temperature	50°C

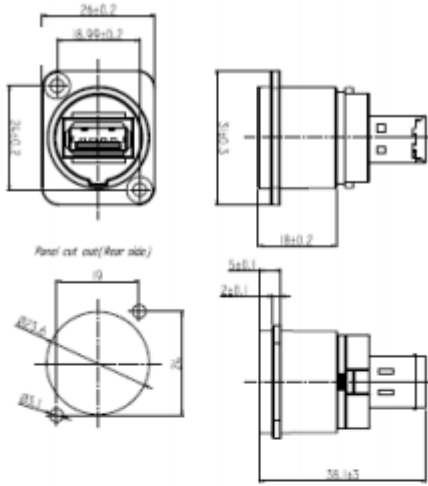
**Protection Category**

IP Rating	IP67
-----------	------

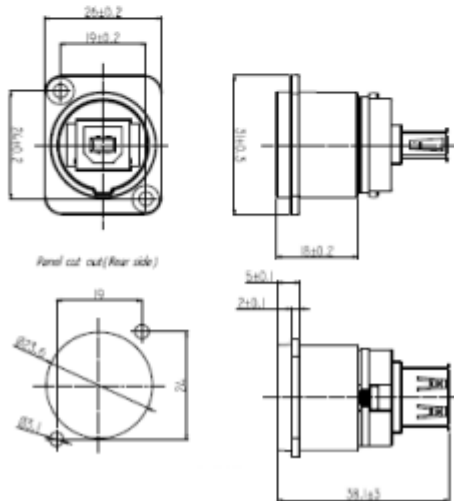
**Approvals**

Compliance/Certifications	RoHS
---------------------------	------





124-6392 – USB A→B Gender change feedthrough socket, Black



124-6393 – USB2 B→A Gender change feedthrough socket, Black

