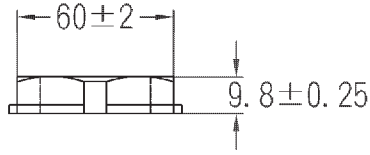


# AG-50

RS NO.: 6694682

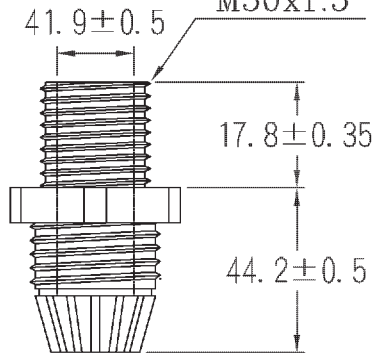
螺帽  
LOCK NUT



墊片  
WASHER

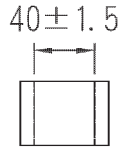
External thread  
M50x1.5

本體  
BODY

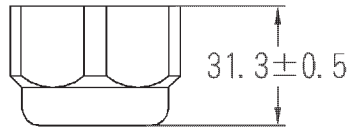


夾緊爪  
CLAW

夾緊圈  
SEALS



迫緊頭  
NUT



中文名 外迫式電纜固定頭		MATERIAL UL 94V-2 NYLON 66	ITEM NO. AG-50
SCALE		FINISH	NAME NYLON CABLE GLAND
△ (•••)	TOLERANCE AS FIGURE	△ (•••) 05-13-2009 DATE	REVISIONS K002

RNO