

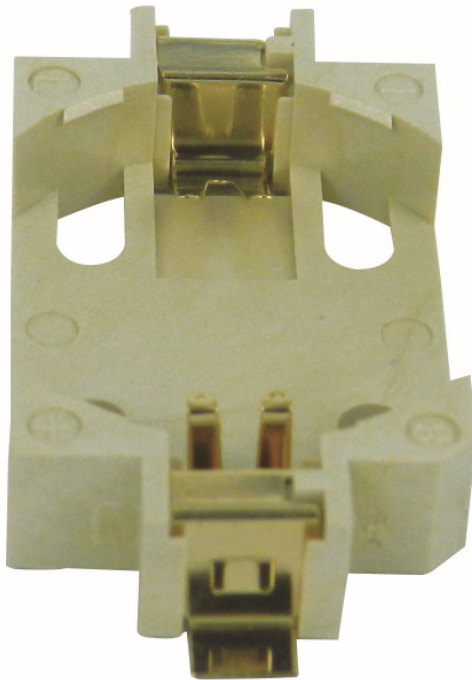


ENGLISH

Datasheet

RS Article:1854719

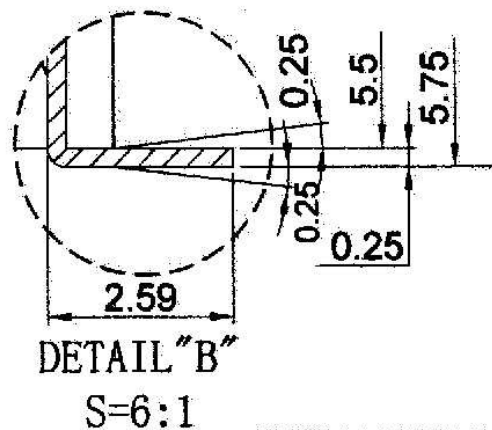
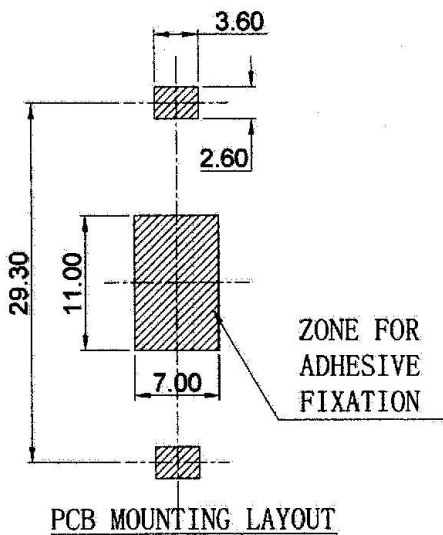
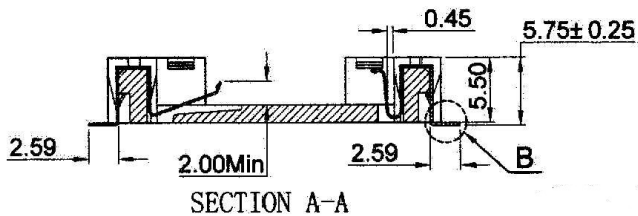
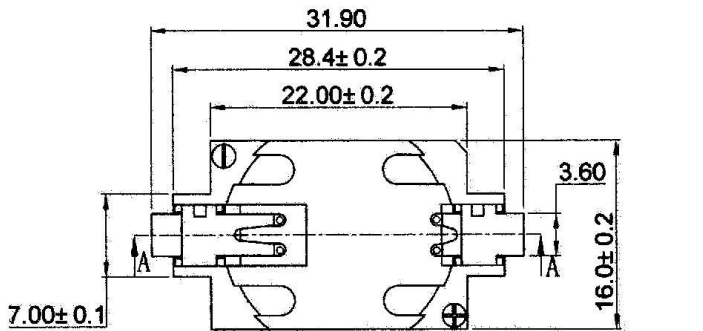
# RS Pro Battery Holder



## 1. Preface:

The purpose of this product specification is to Dimension and drawing

# CR2032



### NOTES:

1. MATERIAL:  
HOUSING: LCP+30%GF UL94V0 WHITE COLOR  
CONTACT: PHOSPHOR BRONZE 0.25 THK  
GOLD 1 $\mu$  PLATED OVER Ni 5 $\mu$  MIN
2. CURRENT RATING : 2A (AC/DC)
3. VOLTAGE RATING : 500V (AC/DC)
4. CONTACT RESISTANCE: 30 MILLIOHMS
5. INSULATION RESISTANCE: 500 MEGAOHMS
6. TEMPERATURE RANGE: -55°C TO +85°C
7. HUMIDITY: 40°C AND 90-95% RH FOR 96 HOURS
8. RoHS COMPLIANT

Measure: mm