



Features

- Microminiature relay
Dimension : 10.2mm × 7.4mm × 10mm
- Light weight
- Contact form : 1 form C

Specifications

Contact Data	
Contact Material	AuAg overlay, Ag alloy
Contact Rating	1A 120V AC / 24V DC
Contact Resistance	Maximum 50mΩ (6V DC 0.1A)
Load Switching Voltage (Max.)	12V AC / 30V DC
Load Switching Current (Max.)	2A
Load Switching Power (Max.)	120V A, 30W
Load Switching Load (Min)	5V DC, 10mA
Life Electrical	100,000 operations
Life Mechanical	10,000,000 operations
Coil Data	
Nominal Coil Power	330mW, 450mW
General Data	
Insulation Resistance	Minimum 100MΩ 500V DC
Dielectric Strength	
Between Open Contacts	500V AC, 1 min
Between Coil and Contacts	
Operate Time	Maximum 6ms
Release Time	Maximum 4ms
Operating Temperature	-25°C to +70°C
Humidity	35 to 95%RH, +40°C
Shock Resistance	
Endurance	1,000m/s ²
Mis-operation	100m/s ²
Vibration Resistance	
Endurance	10 to 55Hz, 1.5mm double amplitude
Mis-operation	

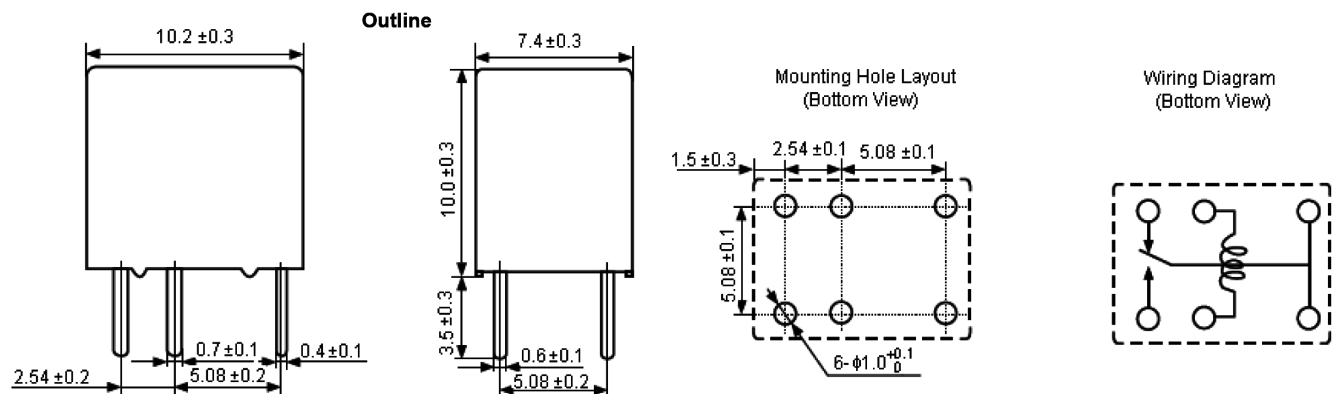
Coil Data

Ambient Temperature: 23°C

Nominal Voltage V DC	Coil Resistance $\Omega \pm 10\%$	Operate Voltage $\leq V$ DC	Release Voltage $\geq V$ DC	Coil Power mW	Part Number
5	55	3.5	0.5	450	MCHRA-S-DC5V-C
12	320	8.4	1.2		MCHRA-S-DC12V-C
24	1280	16.8	2.4		MCHRA-S-DC24V-C
5	75	3.5	0.5	330	MCHRAH-S-DC5V-C
12	440	8.4	1.2		MCHRAH-S-DC12V-C
24	1515	16.8	2.4		MCHRAH-S-DC24V-C

Diagram

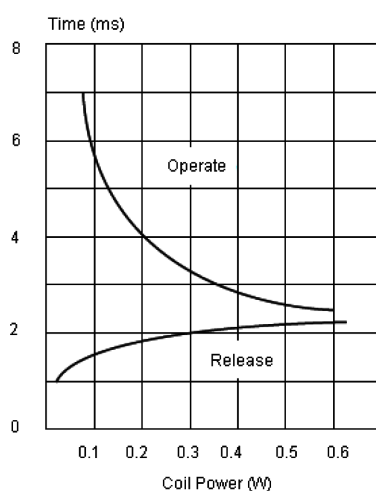
Outline, Wiring Diagram, Mounting Hole Layout



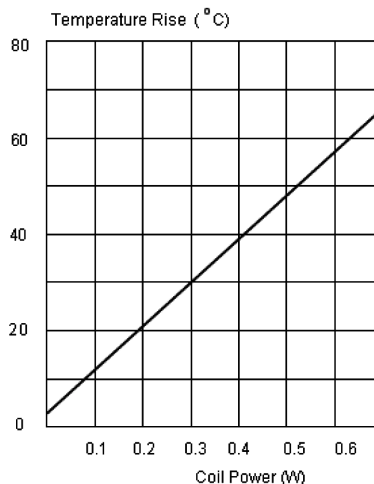
Dimensions : Millimetres

Characteristic Chart Data

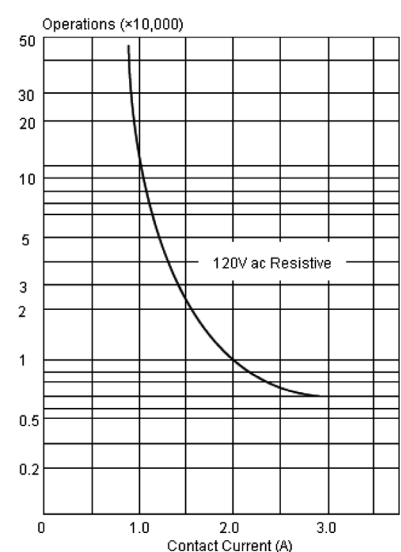
Timing



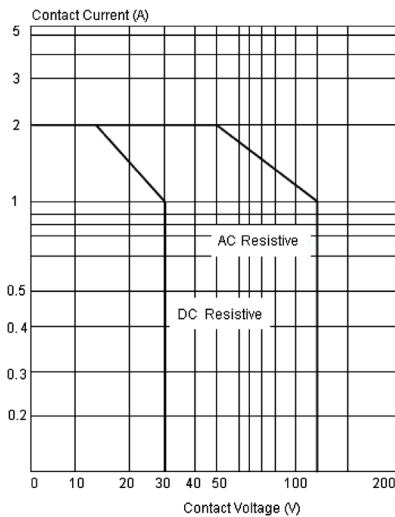
Coil Temperature Rise



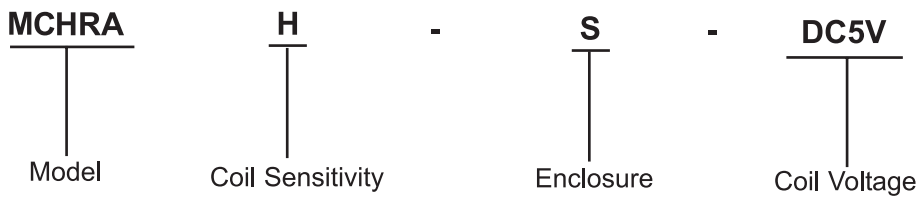
Life Curves



Maximum Switching Power



Part Number Explanation



- Coil Sensitivity : H - High sensitive (330mW).
- : Blank-Standard (450mW).
- Enclosure : S-Plastic sealed type.
- Coil Voltage : DC5V, DC12V and DC24V.

Remark: HRAH-S-DC24V : Coil power 380mW

Important Notice : This data sheet and its contents (the "Information") belong to the members of the AVNET group of companies (the "Group") or are licensed to it. No licence is granted for the use of it other than for information purposes in connection with the products to which it relates. No licence of any intellectual property rights is granted. The Information is subject to change without notice and replaces all data sheets previously supplied. The Information supplied is believed to be accurate but the Group assumes no responsibility for its accuracy or completeness, any error in or omission from it or for any use made of it. Users of this data sheet should check for themselves the Information and the suitability of the products for their purpose and not make any assumptions based on information included or omitted. Liability for loss or damage resulting from any reliance on the Information or use of it (including liability resulting from negligence or where the Group was aware of the possibility of such loss or damage arising) is excluded. This will not operate to limit or restrict the Group's liability for death or personal injury resulting from its negligence. Multicomp Pro is the registered trademark of Premier Farnell Limited 2019.