

Slim BNC Feedthrough Connectors **multicomp** PRO

RoHS
Compliant



MP008977



MP008978



MP008979



Description

Dualslim BNC 50Ω Feedthrough Connector

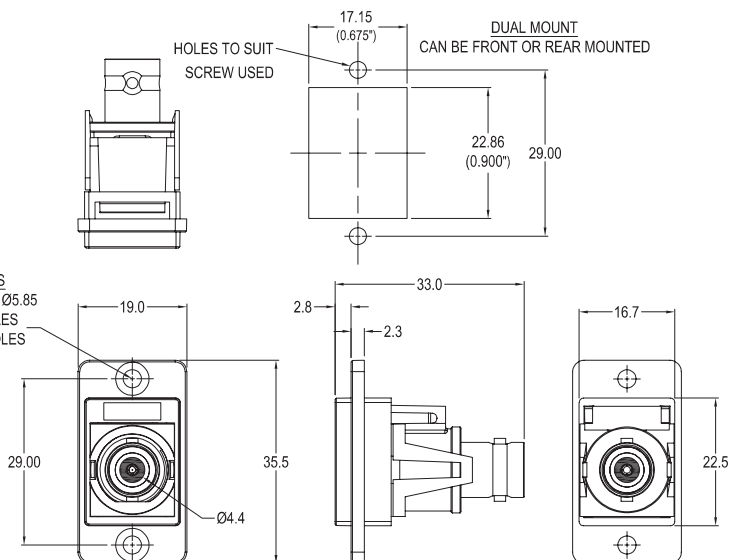
Features

- Fits standard rectangular cutout.
- Front or rear mounting through the panel.
- Various hole mounting options.
- No soldering or punch termination.
Use standard cable for each connector style.
- Low rear profile.

Material

- SLIM Frame: Polyamide UL94 V2
- BNC Frame: ABS UL94 V2
- BNC Body: Brass - Nickel Plated
- BNC Centre: Brass - Copper Plated
- BNC Insulator: PP UL94 V2

3x HOLE VARIANTS
 Ø3.2mm CSK 90° x Ø5.85
 'X' PLAIN Ø2.5 HOLES
 'X1' PLAIN Ø3.2 HOLES



Note: Functionality is affected by cable quality, length and cable wiring configuration.

Dimensions : Millimetres

Part Number Table

Description	Part Number
Dual Slim BNC Feedthrough Connector, 50Ω, Front/Rear Mount, Black Plastic Frame, CSK Holes	MP008977
Dual Slim BNC Feedthrough Connector, 50Ω, Front/Rear Mount, Black Plastic Frame, Ø2.5 Plain Holes	MP008978
Dual Slim BNC Feedthrough Connector, 50Ω, Front/Rear Mount, Black Plastic Frame, Ø3.2 Plain Holes	MP008979

Important Notice : This data sheet and its contents (the "Information") belong to the members of the AVNET group of companies (the "Group") or are licensed to it. No licence is granted for the use of it other than for information purposes in connection with the products to which it relates. No licence of any intellectual property rights is granted. The Information is subject to change without notice and replaces all data sheets previously supplied. The Information supplied is believed to be accurate but the Group assumes no responsibility for its accuracy or completeness, any error in or omission from it or for any use made of it. Users of this data sheet should check for themselves the Information and the suitability of the products for their purpose and not make any assumptions based on information included or omitted. Liability for loss or damage resulting from any reliance on the Information or use of it (including liability resulting from negligence or where the Group was aware of the possibility of such loss or damage arising) is excluded. This will not operate to limit or restrict the Group's liability for death or personal injury resulting from its negligence. Multicomp Pro is the registered trademark of Premier Farnell Limited 2019.

Newark.com/multicomp-pro
 Farnell.com/multicomp-pro
 sg.element14.com/b/multicomp-pro

multicomp PRO