



Datasheet  
Stock No. 1881769,1882210  
**RS PRO PIEZO BUZZER**



ENGLISH



**Specifications**

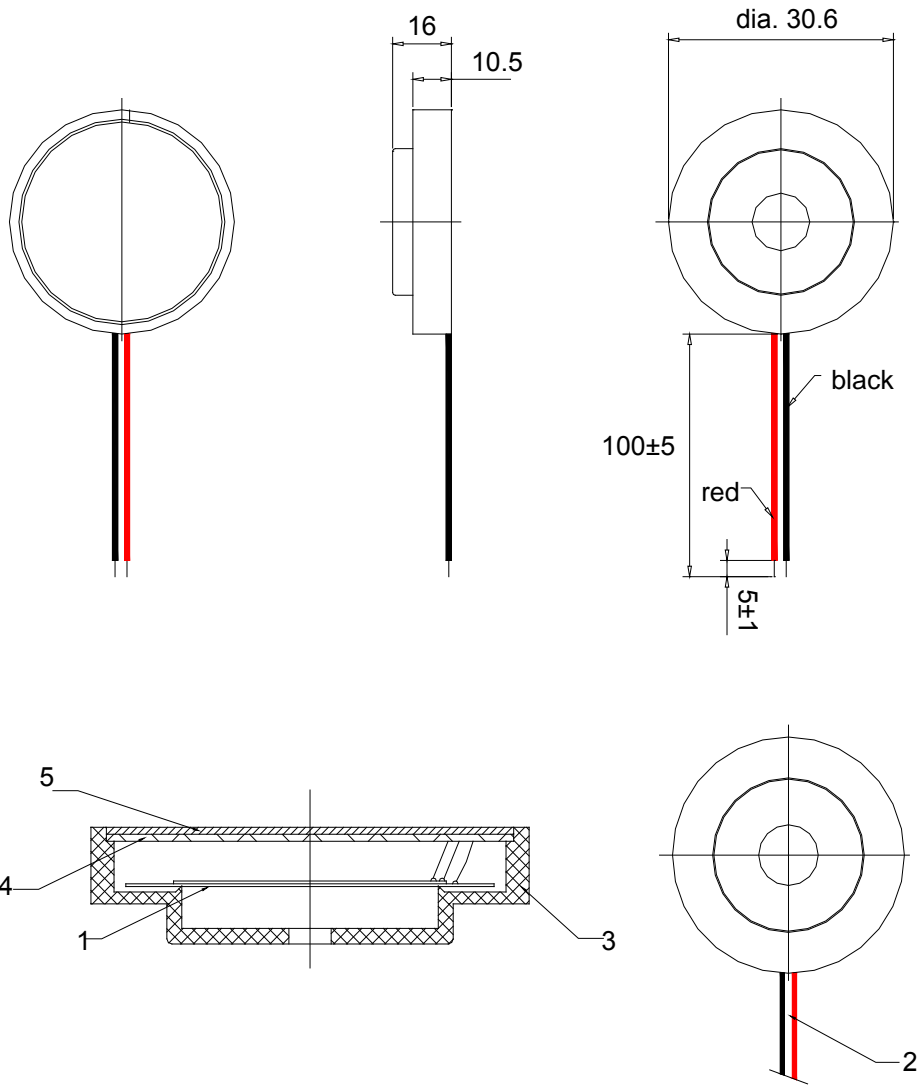
**1881769,1882210**

|                                |                        |
|--------------------------------|------------------------|
| Rated voltage (Vp-p)           | 12Vp-p                 |
| Operating voltage              | 1-40Vp-p               |
| Sound output at 3200Hz at 10cm | ≥110dB (typical 115dB) |
| Resonant frequency             | 3200 ± 500Hz           |
| Operating temperature          | -30~+70°C              |
| Storage temperature            | -40~+85°C              |
| Weight                         | 5g                     |
| Tone                           | Single                 |

**Features**

- ROHS compliant
- Wave solder & wash not allowed
- All data at 25°C unless otherwise specified

Unless otherwise specified, tolerance:±0.5(unit:mm)



| No. | Part Name     | Qty | Material                   |
|-----|---------------|-----|----------------------------|
| 5   | Cover         | 1   | BLACK ABS777D              |
| 4   | PCB           | 1   | Epoxy Board                |
| 3   | Housing       | 1   | BLACK ABS777D              |
| 2   | Lead wire     | 2   | UL1095 AWG28 (Red & Black) |
| 1   | Piezo element | 1   | Stainless steel            |