

FEATURES

- Very strong all-purpose tool. It can be used as: Shears, Multi-diameter Wire stripper, Pliers.
- 6 holes wire stripper from 0.81÷2.59mm
- Ergonomic anti-slip bi-component handle for a safe, light and comfortable grip
- Anti-reflection phosphating surface treatment
- Closing stop lever
- Laser marking
- Made in Italy

RS PRO Shears, wire stripper, pliers in one tool (0.81÷2.59mm)

RS Stock No.: 238-0722



RS Professionally Approved Products bring to you professional quality parts across all product categories. Our product range has been tested by engineers and provides a comparable quality to the leading brands without paying a premium price.

Product Description

- *Made in Italy with special carbon steel and undergo a controlled atmosphere heat treatment.*
- *The anti-reflection phosphating surface treatment ensures an accurate view of the work being carried out.*
- *The tools are joined with grounded holes and surfaces, thereby allowing precise movements.*
- *The anti-slip bi-material dolphin handle is created following ergonomic principles, thus guaranteeing a safe, light and comfortable grip for the operator even when used constantly for many hours*
- *Very strong all-purpose tool. It can be used as: Shears, Multi-diameter Wire stripper, Pliers. 6 holes wire stripper from 0.81÷2.59mm*
- *Ergonomic bi-material handles for a better grip. Anti-reflection and anti-oxidation surface treatment (phosphate coating). Closing stop lever.*

General Specifications

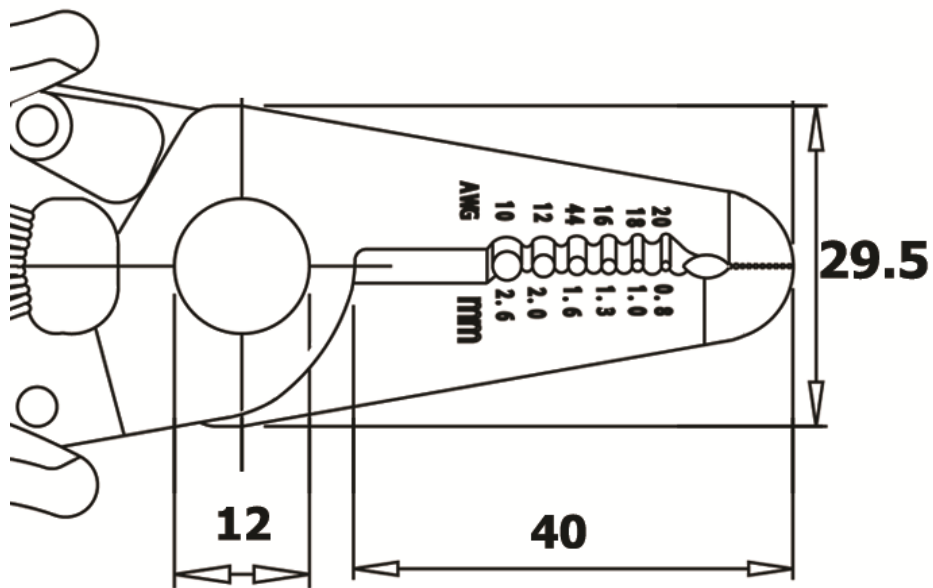
Wire stripper	6 holes wire stripper from 0.81÷2.59mm
Non-Sparking	Yes
Material	Carbon Steel
Number Of Pieces	1
Finish	Anti-reflection phosphating surface treatment, red grip

Electrical Specifications

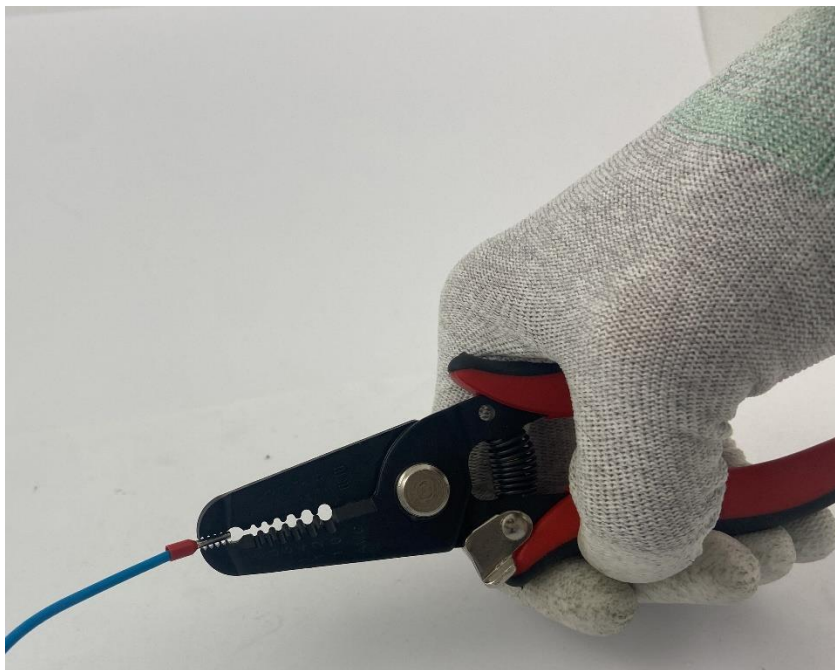
ESD Safe	no
-----------------	----

Mechanical Specifications

Wire stripper capability	6 holes wire stripper from 0.81÷2.59mm
Overall Length	165mm
Weight	102g
Steel Thickness	3mm



PLIERS:



SHEARS:



WIRE STRIPPER:

