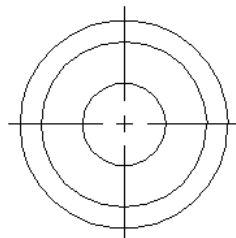
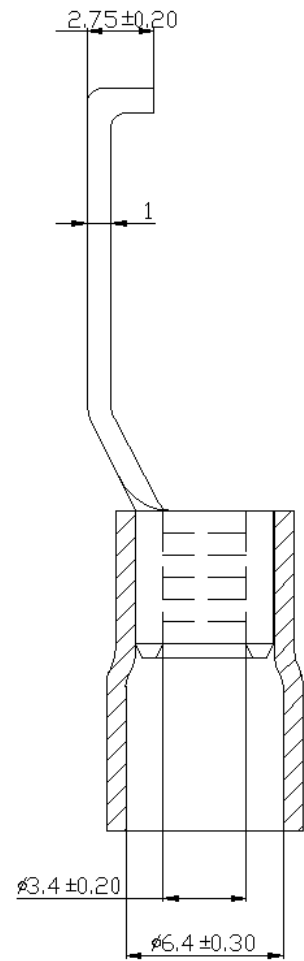
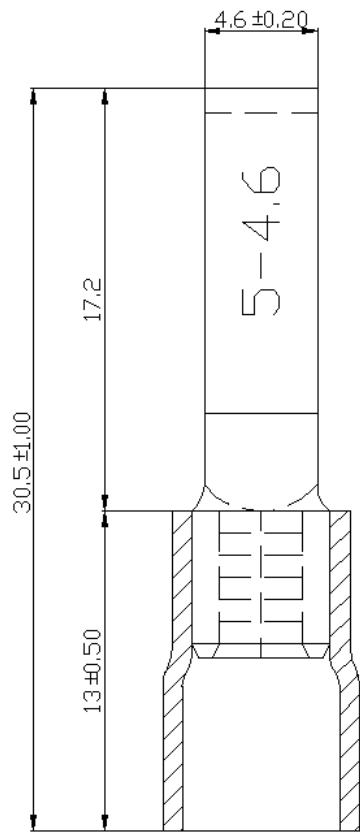


A B C D E F G H

REV	DESCRIPTION	DATE
-----	-------------	------



NOTE :

1. MAXIMUM ELECTRIC CURRENT :

A.W.G.	12	10	
AMP.	35	50	
2. MAXMUM ELECTRICAL RATING : 75°C 600 VOLTS MAX.
3. INSULATION MATERIAL : VINYL
4. INSULATION COLOR : YELLOW
5. TERMINAL MATERIAL : COPPER
6. WIRE RANGE : 12-10 A.W.G. (4-6 mm²)
7. ERMINALS SURFACE TREATMENT : TIN PLATED

Tolerance Unless Otherwise Specified	
0 > 6 mm ± 0.20	ANGLE
6 > 18 mm ± 0.30	0° REF ±
18 > 30 mm ± 0.40	° ±
30 > 75 mm ± 0.50	° ±



NAME	VINYL-INSULATED LIPPED BLADE TERMINALS			UNIT	mm	
PART NO.	LBV5-4.6@	MATERIAL	-----	APPROVE	张馨尹	
NUMBER	KA-95136-C	SCALE	SHEET PAGE	CHECKED	林晓洁	
DATE	2006/03/24	5/1	1-0 10F2	DRAWN	张馨尹	

A B C D E F G H