

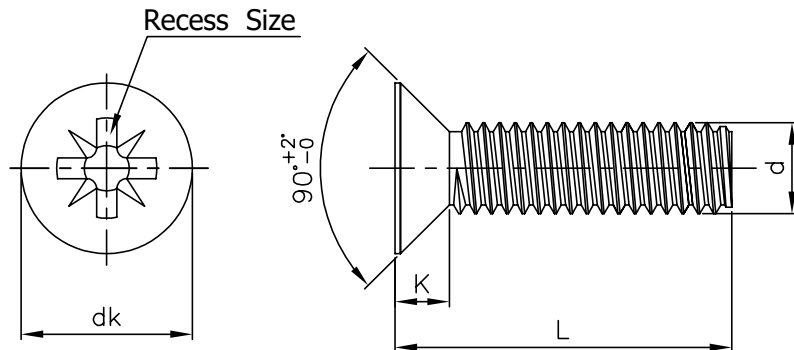
Pozi Countersunk Head Machine Screws

multicomp PRO

Description

ISO 7046-1 Pozi Countersunk Head Machine Screw Class 4.8 Carbon Steel Zinc.

**RoHS
Compliant**



Notes

1. Parts Shall Be Free of all Sharp Edges, Corners and Burrs.
2. Material: Carbon Steel.
3. Heat Treatment: None.
4. Finish: Zinc Plated.
5. Material and Finish To Comply With European Union Restriction of Hazardous Substances Directive.

Dimensions : Millimetres

Part Number	Thread d	dk	K Max	Recess Size	L	Weight (g)	
MP006516	M2.5X0.45	4.7 ⁺⁰ -0.3	1.5	Pozi#1	6±0.24	0.27	
MP006517					10±0.29	0.39	
MP006518					12±0.35	0.45	
MP006519					20±0.42	0.69	
MP006520	M3X0.5	5.5 ⁺⁰ -0.3	1.65		6±0.24	0.38	
MP006521					10±0.29	0.56	
MP006522					16±0.35	0.82	
MP006523					20±0.42	1	
MP006524					26±0.42	1.26	
MP006525					12±0.35	0.64	
MP006526	M3.5X0.6	7.3 ⁺⁰ -0.36	2.35		Pozi#2	10±0.29	0.87
MP006527						12±0.35	0.99
MP006528	M4X0.7	8.4 ⁺⁰ -0.36	2.7	10±0.29		1.22	
MP006529				6±0.24		0.9	
MP006530				16±0.35		1.68	
MP006531				12±0.35		1.37	
MP006532				20±0.42		2	
MP006533				25±0.42		2.39	
MP006534				40±0.5		3.56	

Newark.com/multicomp-pro
Farnell.com/multicomp-pro
Element14.com/multicomp-pro

multicomp PRO

Pozi Countersunk Head Machine Screws

multicomp PRO

Part Number	Thread d	dk	K Max	Recess Size	L	Weight (g)
MP006535	M5X0.8	9.3 ⁺⁰ _{-0.36}	2.7	Pozi#2	16±0.35	2.44
MP006536					12±0.35	1.96
MP006537					20±0.42	2.92
MP006538					25±0.42	3.52
MP006539					30±0.42	4.12
MP006540					40±0.5	5.32
MP006541	M6X1	11.3 ⁺⁰ _{-0.43}	3.3	Pozi#3	16±0.35	3.78
MP006542					12±0.35	3.08
MP006543					20±0.42	4.48
MP006544					50±0.5	9.73
MP006545					40±0.5	7.98
MP006546					25±0.42	5.36

Important Notice : This data sheet and its contents (the "Information") belong to the members of the AVNET group of companies (the "Group") or are licensed to it. No licence is granted for the use of it other than for information purposes in connection with the products to which it relates. No licence of any intellectual property rights is granted. The Information is subject to change without notice and replaces all data sheets previously supplied. The Information supplied is believed to be accurate but the Group assumes no responsibility for its accuracy or completeness, any error in or omission from it or for any use made of it. Users of this data sheet should check for themselves the Information and the suitability of the products for their purpose and not make any assumptions based on information included or omitted. Liability for loss or damage resulting from any reliance on the Information or use of it (including liability resulting from negligence or where the Group was aware of the possibility of such loss or damage arising) is excluded. This will not operate to limit or restrict the Group's liability for death or personal injury resulting from its negligence. Multicomp Pro is the registered trademark of Premier Farnell Limited 2019.

Newark.com/multicomp-pro
Farnell.com/multicomp-pro
Element14.com/multicomp-pro

multicomp PRO