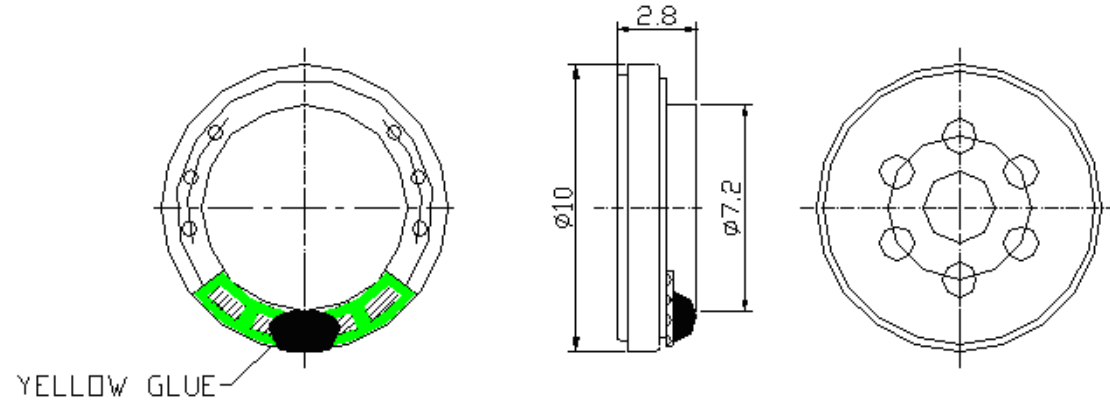


ABS-244-RC 8OHM, 10x2.8tMM DYNAMIC SPEAKER

SPEAKERS

Specifications

	ABS-244-RC
Rated impedance	8±15%Ω/2KHz/1V
Rated power	0.15W
Maximum power	0.3W
Resonant frequency	1200±20%Hz/1V
Sound pressure level at (AVG)1KHz 0.1W/0.1m baffle board (IEC)	82±3dB
Frequency range	f0Hz-6KHz
Total harmonic distortion	5% Max at 1KHz/0.15W
Flux density	0.6T
Operating temperature	-20°~+60°C
Storage temperature	-20°~+60°C
Weight	0.8g
Voice coil diameter	ø5.9mm
Magnet size (NdFeB)	ø5.5x0.8tmm



Dimensions Unit: mm
specified tolerance: ±0.3mm

Part Name	Qty	Material
Frame	1	SPCC
Diaphragm	1	PET
Voice coil	1	Self bonding wire
Plate	1	SPCC
Magnet	1	NdFeB
PCB	1	FR4
Front cover	2	SUS



ALAN BUTCHER COMPONENTS LTD

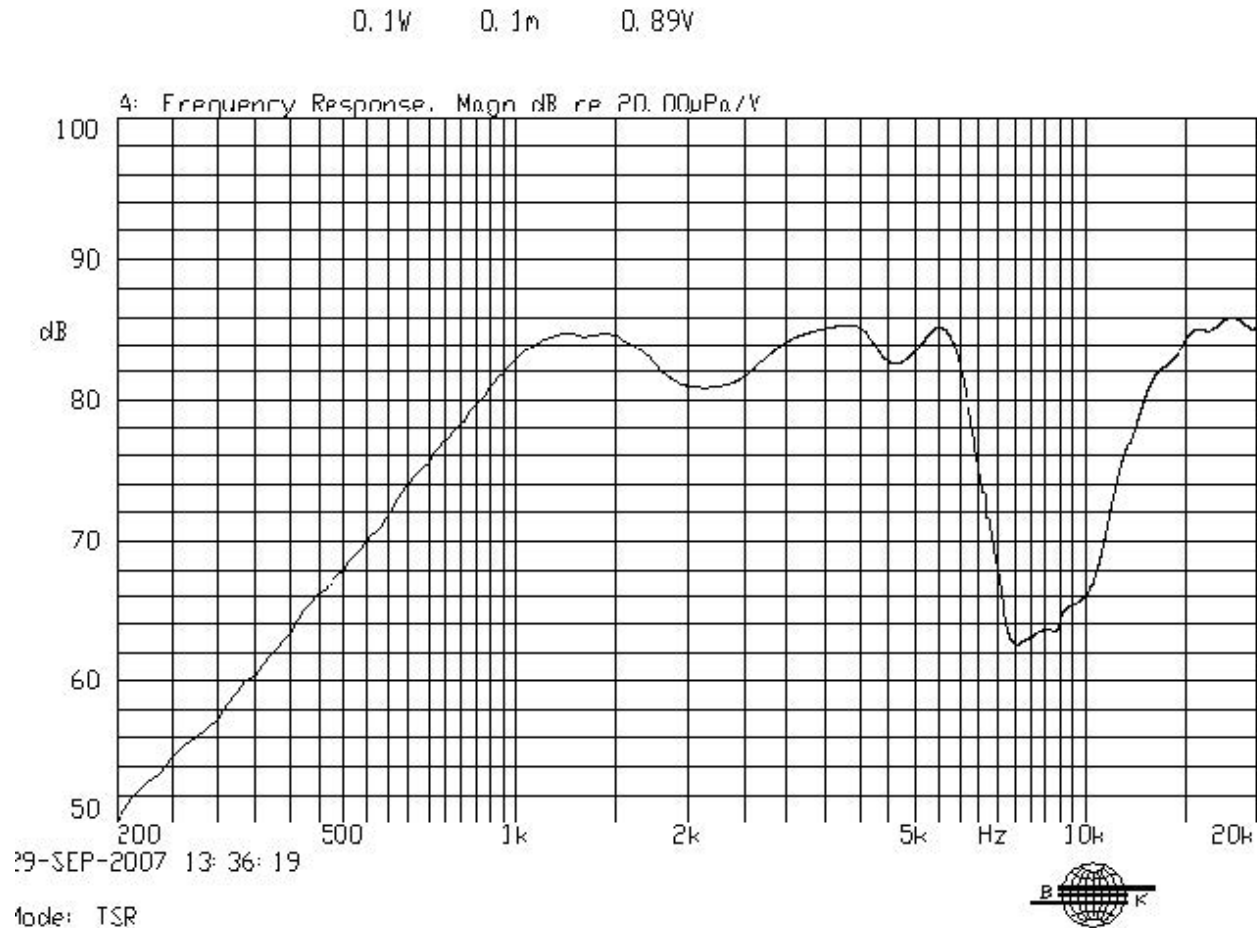
Alan Butcher Components Ltd

Unit 1 Beechwood Clump Farm Industrial Estate Tin Pot Lane Blandford Dorset DT11 7TD

Telephone 01258 456360 Facsimile 01258 459194 Email sales@abcomponents.co.uk

www.abcomponents.co.uk

Frequency response curve:



ALAN BUTCHER COMPONENTS LTD

Alan Butcher Components Ltd

Unit 1 Beechwood Clump Farm Industrial Estate Tin Pot Lane Blandford Dorset DT11 7TD

Telephone 01258 456360 Facsimile 01258 459194 Email sales@abcomponents.co.uk

www.abcomponents.co.uk