

Datasheet

RS PRO NON-INSULATED PIN TERMINALS

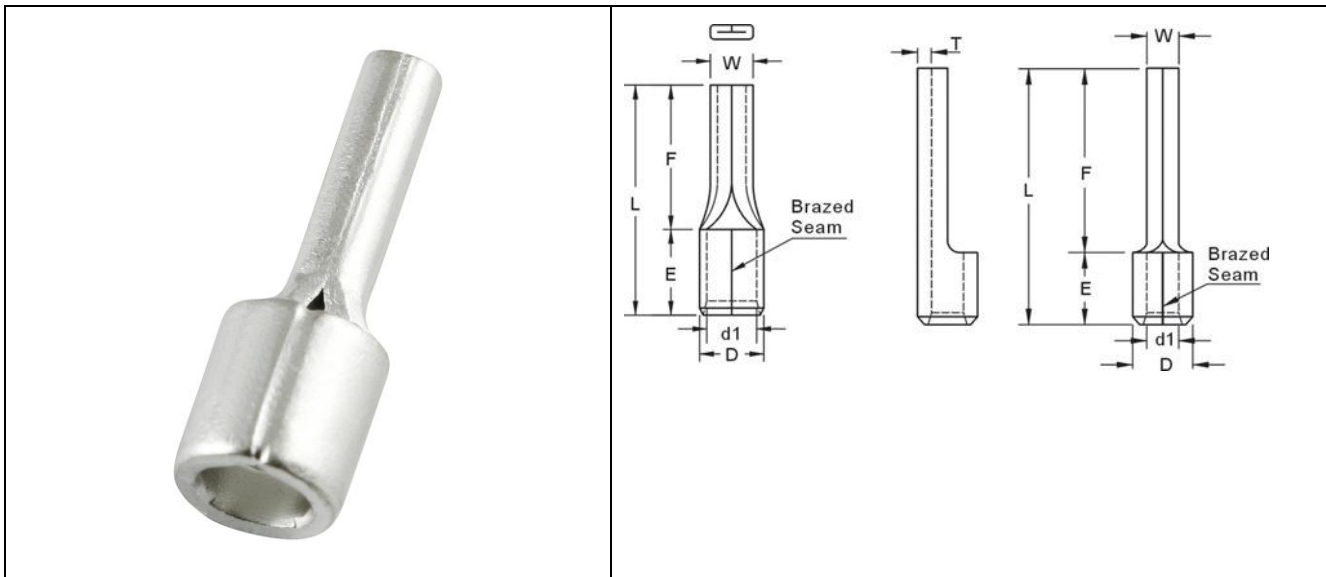
Stock number: 178-8417

MAXIMUM ELECTRIC CURRENT:

A.W.G. 12-10

AMP. 35-50

TERMINAL MATERIAL: COPPER



WIRE RANGE A.W.G. mm ²	ITEM NO. BRAZED SEAM	DIMENSION inch(mm)							
		W	F	L	E	D	d1	T	
12-10 A.W.G.	178-8417	0.11	0.551	0.787	0.236	0.220	0.134	0.039	
2.5-6 mm ²		2.8	14	20	6	5.600	3.4	1	