

Features

- Colour coded
- Nickel plated
- Straight body orientation
- RCA phono connection
- Brass Housing Material

RS PRO Chassis Mount RCA Socket

RS Stock No.: 411-081



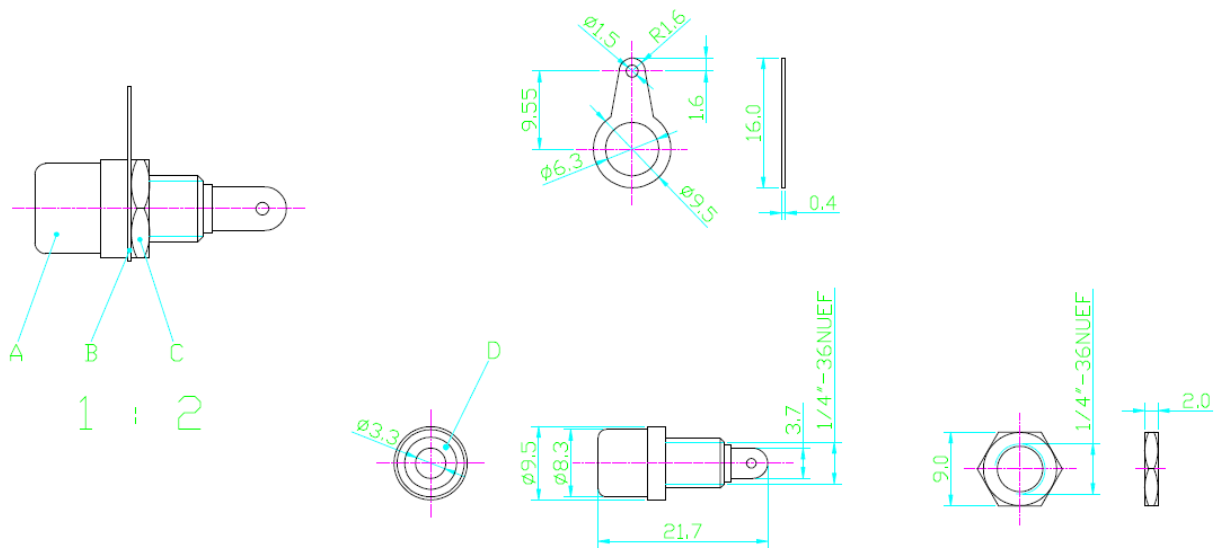
RS PRO Professionally Approved Products bring to you professional quality parts across all product categories. Our product range has been tested by engineers and provides a comparable quality to the leading brands without paying a premium price.

Product Description

The RS PRO Chassis Mount RCA Socket is a reliable and hard-wearing phono connector for the transmission of A/V signals to and from devices. The RCA connector features colour coding for easy identification and a hardwearing Nickel plating combining excellent conductivity with corrosion and moisture protection.

General Specifications

Features	RCA phono connection
Contact Plating	Nickel
Body Orientation	Straight



No.	Description	Unit	Material	Finish/Colour
A	Body	1	Brass	Nickel
B	Solder Piece	1	Iron	Nickel
C	Nut	1	Iron	Nickel
D	Insulator	1	Plastic	Red/Black