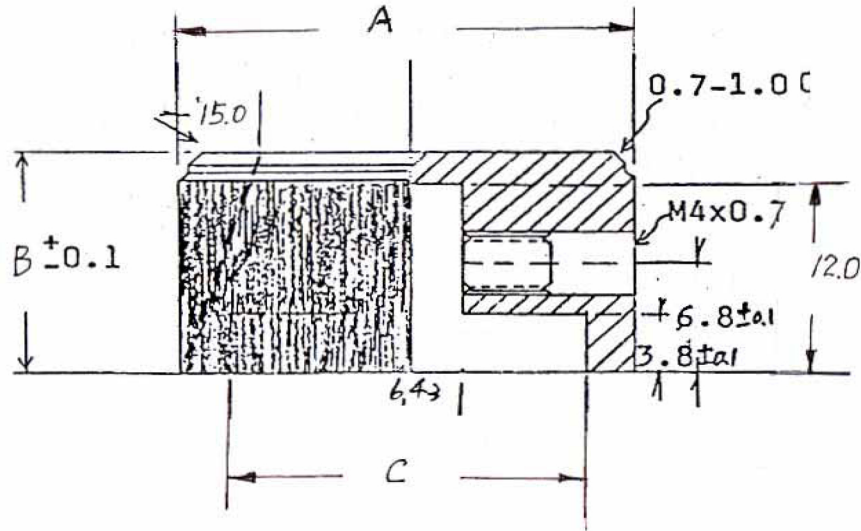


RS P/N		A	B	C	COLOUR
498-918-0001	CS216-HL16A2Dh	16.0	14.0	12.0	SILVER
498-845-0001	CS216-HL16B2Dh	16.0	14.0	12.0	BLACK
498-902-0001	CS216-HL22A2Dh	22.0	14.0	16.0	SILVER
498-839-0001	CS216-HL22B2Dh	22.0	14.0	16.0	BLACK
498-895-0001	CS216-HL28A2Dh	28.0	14.0	22.0	SILVER
498-823-0001	CS216-HL28A2Dh	28.0	14.0	22.0	BLACK



CS216-HL16A2Dh CS216-HL16B2Dh CS216-HL22A2Dh CS216-HL22B2Dh CS216-HL28A2Dh CS216-HL28A2Dh



Material: ALUMINUM
Tolerance: +/-0.20
Unit : mm

P/N:	
	CS216-HL SERIES

Date: 6-Dec-13