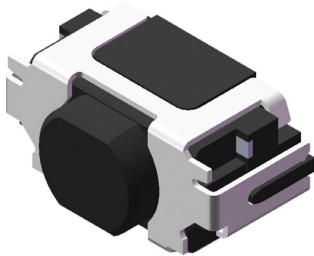


Surface Mount Tact Switches **multicomp** PRO

**RoHS
Compliant**



Specifications

Contact Rating	50mA 12V AC
Contact Resistance	500mΩ max.
Insulation Resistance	100MΩ MIN. 100V DC
Dielectric Strength	100V AC/1 minute
Operating Force	160 ±50gf/220 ±50gf/250 ±80gf
Contact Resistance	50mΩ MAX.
Travel	0.15mm
Operating Life	600,000 cycles
Operating Temperature	-30°C to +85°C
Storage Temperature	-40°C to +90°C

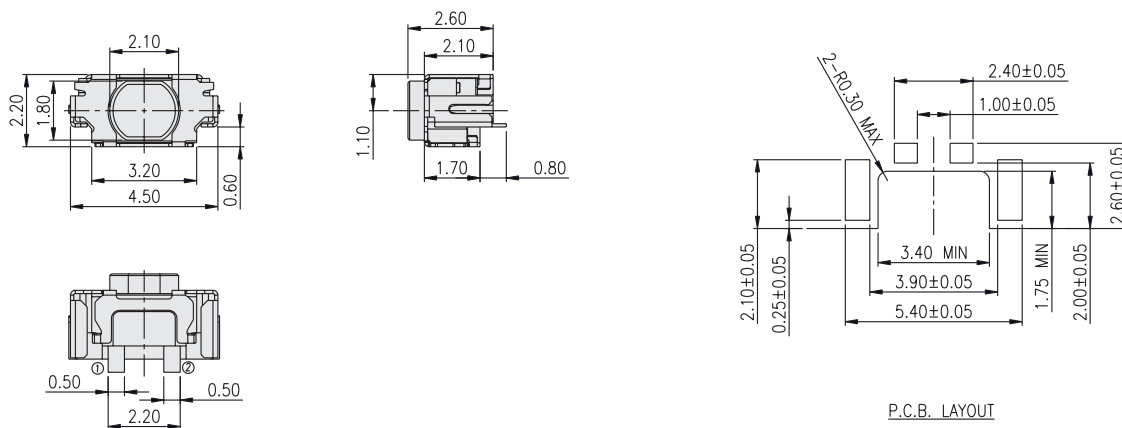
Features

- Miniature 4.5mm × 2.2mm
- Side push mid-mount type
- 600,000 operating life cycles

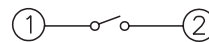
Application

- Smart phone
- Portable personal audio
- Digital camera
- 3C products

Without Post

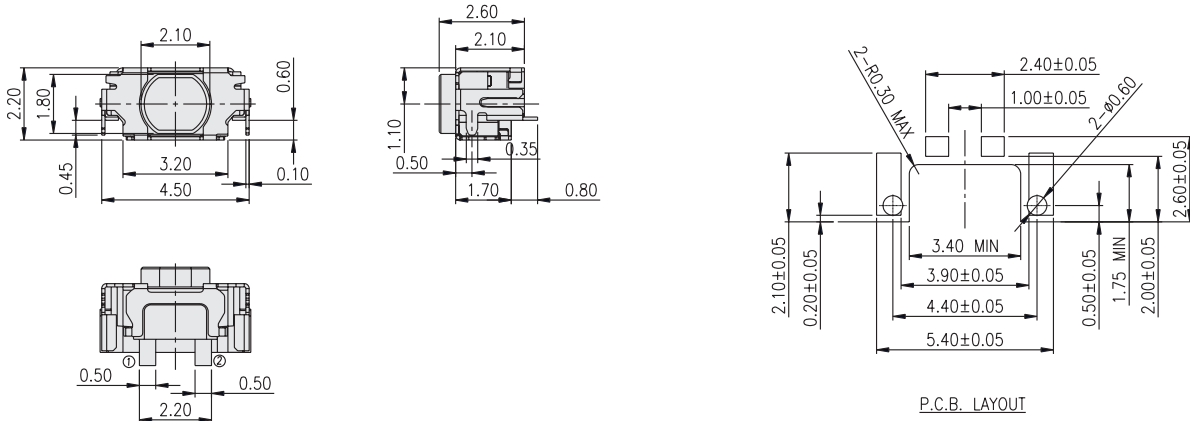


Circuit



Surface Mount Tact Switches **multicomp** PRO

With Post



Part Number Table

Description	Part Number
Tactile Switch, Without Post, 12V DC, SPST, 160gf, SMD	MP005528
Tactile Switch, Without Post, 12V DC, SPST, 220gf, SMD	MP005529
Tactile Switch, Without Post, 12V DC, SPST, 250gf, SMD	MP005530
Tactile Switch, With Post, 12V DC, SPST, 160gf, SMD	MP005531
Tactile Switch, With Post, 12V DC, SPST, 220gf, SMD	MP005532
Tactile Switch, With Post, 12V DC, SPST, 250gf, SMD	MP005533

Important Notice : This data sheet and its contents (the "Information") belong to the members of the AVNET group of companies (the "Group") or are licensed to it. No licence is granted for the use of it other than for information purposes in connection with the products to which it relates. No licence of any intellectual property rights is granted. The Information is subject to change without notice and replaces all data sheets previously supplied. The Information supplied is believed to be accurate but the Group assumes no responsibility for its accuracy or completeness, any error in or omission from it or for any use made of it. Users of this data sheet should check for themselves the Information and the suitability of the products for their purpose and not make any assumptions based on information included or omitted. Liability for loss or damage resulting from any reliance on the Information or use of it (including liability resulting from negligence or where the Group was aware of the possibility of such loss or damage arising) is excluded. This will not operate to limit or restrict the Group's liability for death or personal injury resulting from its negligence. Multicomp Pro is the registered trademark of Premier Farnell Limited 2019.

Newark.com/multicomp-pro
 Farnell.com/multicomp-pro
 Element14.com/multicomp-pro

multicomp PRO