

Product End of Life Instructions

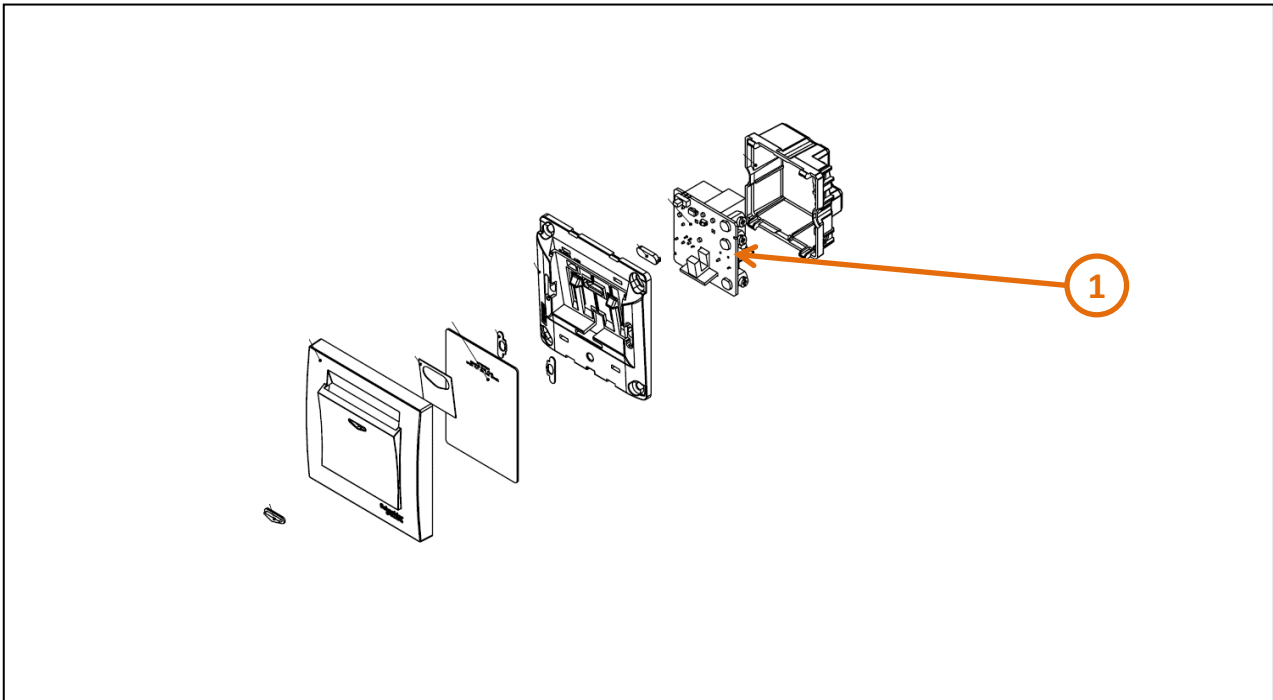
Vivace HOTEL KEY CARD

This range includes other color key cards.





End of Life Instructions



Recommendation	Number on drawing	Component / Material	Weight (in g)	Comment
To be depolluted	1	Electronic Board (Communication) > 10cm ²	53.4	Including all soldering parts

Product description

Manufacturer identification	Schneider Electric Industries SAS
Brand name	Schneider Electric
Product function	The product is used for the energy saving purpose of hotel rooms, the main use is to plug the card to take electricity.
Product reference	KB31EKT_WE
Additional similar product references	KB31EKT_WE KB31EKT KB31EKT_AS
Total representative product mass	124.5 g
Representative product dimensions	87mm x 87mm x 45mm
Accessories	No
Date of information release	2023/12

Additional information

Legal information	This product family is in the scope of European Union directive 2012/19/EU on Waste Electrical and Electronic Equipment (WEEE). The product family must be disposed according to the legislation of the country. This document is intended for use by end of life recyclers or treatment facilities. It provides the basic information to assure an appropriate end of life treatment for the components and materials of the product.	
In case of special transportation: transportation method	No	
Recyclability potential	7%	Recyclability rate has been calculated based on REEECY'LAB tool developed by Ecosystem, for components/materials not covered by the tool, data from the "ECO'DEEE recyclability and recoverability calculation method" was taken. If no data was found a conservative assumption was used (0% recyclability).

Schneider Electric Industries SAS
Country Customer Care Center
<http://www.schneider-electric.com/contact>
35, rue Joseph Monier
CS 30323
F- 92500 Rueil Malmaison Cedex
RCS Nanterre 954 503 439
Capital social 896 313 776 €

www.se.com

ENVEOLI2310020_V1

Published by Schneider Electric

© 2023 - Schneider Electric – All rights reserved

2023/12