



ENGLISH

Datasheet

Stock No: 286-3487

RS Pro Round Tube 2-Way Connector, strut profile Type 1

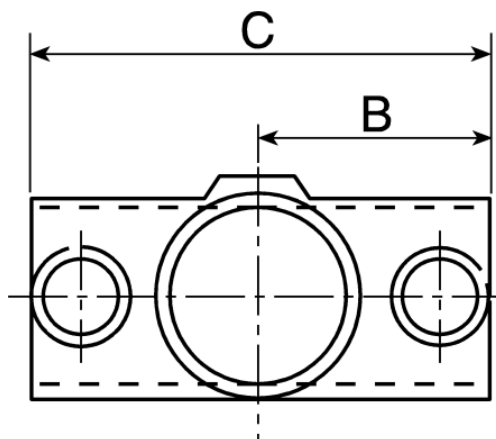


Product Details

Long Tee

Produces a 90° butt joint between two tubes
Fitting can be used to join through tube

Dimensions (mm)		
Tube Size Ref.	B	C
1	48	96
2	60	122
3	67	134





ENGLISH

Specifications:

Structural Element Type	Round Tube
Connector Type	2-Way Connector
Fits Strut Profile	Type 1
Fits Tube Diameter	33.7mm
Product Family	RS Handrail System
Material	Cast Iron
Product System	119