

## 24-Bit, 2 MSPS, Dual Channel SAR ADC

### FEATURES

- ▶ High performance
  - ▶ Throughput: 2 MSPS per channel maximum
  - ▶ INL:  $\pm 0.9$  ppm maximum from  $-40^{\circ}\text{C}$  to  $+125^{\circ}\text{C}$
  - ▶ SNR: 105.7 dB typical
  - ▶ THD:  $-127$  dB typical
  - ▶ NSD:  $-166$  dBFS/Hz typical
- ▶ Low power
  - ▶ 15 mW per channel at 2 MSPS
  - ▶ 1.5 mW per channel at 10 kSPS
- ▶ Easy Drive features reduce system complexity
  - ▶ Very low  $0.6\ \mu\text{A}$  input current for dc inputs
  - ▶ Wide input common-mode range:  $-(1/128) \times V_{\text{REF}}$  to  $+(129/128) \times V_{\text{REF}}$
- ▶ Flexible external reference voltage range: 4.096 V to 5 V
  - ▶ Accurate integrated reference buffer with  $2\ \mu\text{F}$  bypass capacitor
- ▶ Programmable block averaging filter with up to  $2^{16}$  decimation
  - ▶ Extended sample resolution to 30 bits
  - ▶ Overrange and synchronization bits
- ▶ Flexi-SPI digital interface
  - ▶ 1, 2, or 4 SDO lanes per channel allows slower SCK
  - ▶ Echo clock mode simplifies use of digital isolator
  - ▶ Compatible with 1.2 V to 1.8 V logic
- ▶ **7 mm × 7 mm 64-Ball CSP\_BGA** package with internal supply and reference capacitors to help reduce system footprint

### APPLICATIONS

- ▶ Automatic test equipment
- ▶ Digital control loops
- ▶ Medical instrumentation
- ▶ Seismology
- ▶ Semiconductor manufacturing
- ▶ Scientific instrumentation

### FUNCTIONAL BLOCK DIAGRAM

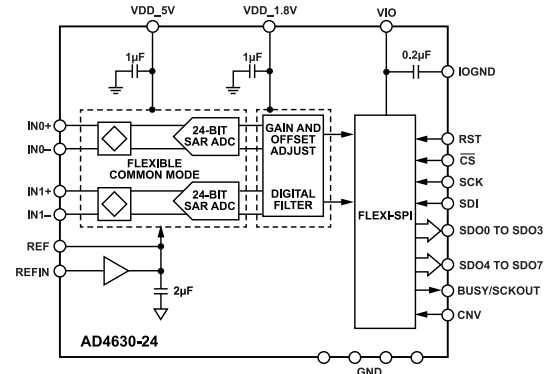


Figure 1.

### GENERAL DESCRIPTION

The AD4630-24 is a two-channel, simultaneous sampling, Easy Drive, 2 MSPS successive approximation register (SAR) analog-to-digital converter (ADC). With a guaranteed maximum  $\pm 0.9$  ppm INL and no missing codes at 24 bits, the AD4630-24 achieves unparalleled precision from  $-40^{\circ}\text{C}$  to  $+125^{\circ}\text{C}$ . Figure 1 shows the functional architecture of the AD4630-24.

A low drift, internal precision reference buffer eases voltage reference sharing with other system circuitry. The AD4630-24 offers a typical dynamic range of 106 dB when using a 5 V reference. The low noise floor enables signal chains requiring less gain and lower power. A block averaging filter with programmable decimation ratio can increase dynamic range up to 153 dB. The wide differential input and common-mode ranges allow inputs to use the full  $\pm V_{\text{REF}}$  range without saturating, simplifying signal conditioning requirements and system calibration. The improved settling of the Easy Drive analog inputs broadens the selection of analog front-end components compatible with the AD4630-24. Both single-ended and differential signals are supported.

The versatile Flexi-SPI serial peripheral interface (SPI) eases host processor and ADC integration. A wide data clocking window, multiple SDO lanes, and optional dual data rate (DDR) data clocking can reduce the serial clock to 10 MHz while operating at a sample rate of 2 MSPS. Echo clock mode and ADC master clock mode relax the timing requirements and simplify the use of digital isolators.

The **64-ball chip scale package ball grid array (CSP\_BGA)** of the AD4630-24 integrates all critical power supply and reference bypass capacitors, reducing the footprint and system component count, and lessening sensitivity to board layout.

## TABLE OF CONTENTS

|  |    |  |    |
|--|----|--|----|
| Features.....                                    | 1  | Power Supplies.....                        | 25 |
| Applications.....                                | 1  | Serial Interface.....                      | 26 |
| Functional Block Diagram.....                    | 1  | SPI Signals.....                           | 26 |
| General Description.....                         | 1  | Sample Conversion Timing and Data          |    |
| Specifications.....                              | 3  | Transfer.....                              | 28 |
| Timing Specifications.....                       | 5  | Clocking Modes .....                       | 29 |
| Absolute Maximum Ratings.....                    | 11 | Data Clocking Requirements and Timing..... | 32 |
| Thermal Resistance.....                          | 11 | Layout Guidelines.....                     | 36 |
| Electrostatic Discharge (ESD) Ratings.....       | 11 | Registers.....                             | 37 |
| ESD Caution.....                                 | 11 | Register Details.....                      | 38 |
| Pin Configuration and Function Descriptions..... | 12 | Interface Configuration A Register.....    | 38 |
| Typical Performance Characteristics.....         | 14 | Interface Configuration B Register.....    | 38 |
| Terminology.....                                 | 18 | Device Configuration Register.....         | 39 |
| Integral Nonlinearity Error (INL).....           | 18 | Chip Type Register.....                    | 39 |
| Differential Nonlinearity Error (DNL).....       | 18 | Product ID Low Register.....               | 39 |
| Zero Error (ZE).....                             | 18 | Product ID High Register.....              | 39 |
| Gain Error (GE).....                             | 18 | Chip Grade Register.....                   | 40 |
| Spurious-Free Dynamic Range (SFDR).....          | 18 | Scratchpad Register.....                   | 40 |
| Effective Number of Bits (ENOB).....             | 18 | SPI Revision Register.....                 | 40 |
| Total Harmonic Distortion (THD).....             | 18 | Vendor ID Low Register.....                | 41 |
| Dynamic Range (DR).....                          | 18 | Vendor ID High Register.....               | 41 |
| Signal-to-Noise Ratio (SNR).....                 | 18 | Stream Mode Register.....                  | 41 |
| Signal-to-Noise-and-Distortion (SINAD)           |    | Interface Configuration C Register.....    | 42 |
| Ratio.....                                       | 18 | Interface Status A Register.....           | 42 |
| Aperture Delay.....                              | 18 | Exit Configuration Mode Register.....      | 42 |
| Transient Response.....                          | 18 | Averaging Mode Register.....               | 43 |
| Common-Mode Rejection Ratio (CMRR).....          | 18 | Channel 0 Offset Registers.....            | 43 |
| Power Supply Rejection Ratio (PSRR).....         | 18 | Channel 1 Offset Registers.....            | 44 |
| Theory of Operation.....                         | 19 | Channel 0 Gain Registers.....              | 45 |
| Overview.....                                    | 19 | Channel 1 Gain Registers.....              | 45 |
| Converter Operation.....                         | 20 | Modes Register.....                        | 46 |
| Transfer Function.....                           | 20 | Internal Oscillator Register.....          | 46 |
| Analog Features.....                             | 20 | Output Driver Register.....                | 47 |
| Digital Sample Processing Features.....          | 21 | Test Pattern Registers.....                | 47 |
| Applications Information.....                    | 23 | Digital Diagnostics Register.....          | 48 |
| Typical Application Diagrams.....                | 23 | Digital Errors Register.....               | 48 |
| Analog Front-End Design.....                     | 24 | Outline Dimensions.....                    | 49 |
| Reference Circuitry Design .....                 | 24 | Ordering Guide.....                        | 49 |
| Device Reset.....                                | 25 | Evaluation Boards.....                     | 49 |

## REVISION HISTORY

11/2021—Revision 0: Initial Version

## SPECIFICATIONS

VDD\_5V = 5.4 V, VDD\_1.8V = 1.8 V, VIO = 1.8 V, REFIN = 5 V, input common mode = 2.5 V,  $f_S = 2$  MSPS, and all specifications T<sub>MIN</sub> to T<sub>MAX</sub>, unless otherwise noted. Typical values are at T<sub>A</sub> = 25°C.

Table 1.

| Parameter                                    | Test Conditions/Comments  | Min                       | Typ     | Max                         | Unit    |
|--|---|---------------------------|---------|-----------------------------|---------|
| RESOLUTION                                   |   | 24                        |         |                             | Bits    |
| ANALOG INPUT                                 |   |                           |         |                             |         |
| Voltage Range                                | V <sub>IN+</sub> - V <sub>IN-</sub>                                 | $-(65/64) \times V_{REF}$ |         | $+(65/64) \times V_{REF}$   | V       |
| Absolute Input Voltage                       | V <sub>IN+</sub> , V <sub>IN-</sub> to GND                          | $-(1/128) \times V_{REF}$ |         | $+(129/128) \times V_{REF}$ | V       |
| Common-Mode Input Range                      | (V <sub>IN+</sub> + V <sub>IN-</sub> )/2                            | $-(1/128) \times V_{REF}$ |         | $+(129/128) \times V_{REF}$ | V       |
| Common-Mode Rejection Ratio (CMRR)           | f <sub>IN</sub> = 10 kHz  |                           | 132     |                             | dB      |
| Analog Input Current                         | Acquisition phase, T = 25°C   |                           | 0.4     |                             | nA      |
|  | Converting any dc input at 2 MSPS                                   |                           | 0.6     |                             | μA      |
| Analog Input Capacitance (C <sub>IN</sub> )  | Acquisition phase   |                           | 60      |                             | pF      |
|  | Outside acquisition phase (pin capacitance (C <sub>PIN</sub> ))     |                           | 2       |                             | pF      |
| THROUGHPUT                                   |   |                           |         |                             |         |
| Complete Cycle                               |   | 500                       |         |                             | ns      |
| Conversion Time                              |   | 264                       | 282     | 300                         | ns      |
| Acquisition Phase <sup>1</sup>               |   | 244                       | 260     | 275                         | ns      |
| Throughput Rate                              |   | 0                         |         | 2                           | MSPS    |
| DC ACCURACY                                  |   |                           |         |                             |         |
| No Missing Codes                             |   | 24                        |         |                             | Bits    |
| Integral Nonlinearity Error (INL)            |   | -0.9                      | ±0.1    | +0.9                        | ppm     |
| Differential Nonlinearity Error (DNL)        |   |                           | ±0.5    |                             | LSB     |
| Transition Noise                             |   |                           | 29.7    |                             | LSB rms |
| Zero Error                                   |   | -90                       | 0       | +90                         | μV      |
| Zero Error Drift                             |   |                           | ±0.007  |                             | ppm/°C  |
| Gain Error                                   | Buffer disabled, REF = 5 V  | -0.004                    | ±0.0002 | +0.004                      | %FS     |
|  | Buffer enabled, REFIN = 5 V   | -0.008                    | ±0.0006 | +0.008                      | %FS     |
| Gain Error Temperature Drift                 | Buffer disabled, REF = 5 V  |                           | ±0.025  |                             | ppm/°C  |
|  | Buffer enabled, REFIN = 5 V   |                           | ±0.07   |                             | ppm/°C  |
| Power Supply Sensitivity                     | VDD_5V = 5.4 V ± 0.1 V  |                           | ±0.1    |                             | ppm     |
|  | VDD_1.8V = 1.8 V ± 5%   |                           | ±0.2    |                             | ppm     |
| Low Frequency Noise <sup>2</sup>             | Bandwidth = 0.1 Hz to 10 Hz   |                           | 1.8     |                             | μV p-p  |
| AC ACCURACY                                  |   |                           |         |                             |         |
| Dynamic Range                                |   |                           | 106     |                             | dB      |
| Noise Spectral Density (NSD)                 |   |                           | -166    |                             | dBFS/Hz |
| Total RMS Noise                              |   |                           | 17.7    |                             | μV rms  |
| Signal to Noise Ratio (SNR)                  | f <sub>IN</sub> = 1 kHz, -0.5 dBFS                                  | 103.3                     | 105.7   |                             | dB      |
| Spurious-Free Dynamic Range (SFDR)           | f <sub>IN</sub> = 1 kHz, -0.5 dBFS                                  |                           | 127     |                             | dB      |
| Total Harmonic Distortion (THD)              | f <sub>IN</sub> = 1 kHz, -0.5 dBFS                                  |                           | -127    | -115                        | dB      |
| Signal-to-Noise-and-Distortion (SINAD) Ratio | f <sub>IN</sub> = 1 kHz, -0.5 dBFS                                  | 103.3                     | 105.7   |                             | dB      |
| Oversampled Dynamic Range                    | Averaging = 2   |                           | 109     |                             | dB      |
|  | Averaging = 256   |                           | 130     |                             | dB      |
|  | Averaging = 65536   |                           | 152.7   |                             | dB      |
| SNR  | VDD_5V = 5.0 V, f <sub>IN</sub> = 1 kHz, -0.5 dBFS, REFIN = 4.096 V |                           | 104     |                             | dB      |
| SFDR   | VDD_5V = 5.0 V, f <sub>IN</sub> = 1 kHz, -0.5 dBFS, REFIN = 4.096 V |                           | 130     |                             | dB      |

## SPECIFICATIONS

Table 1.

| Parameter                              | Test Conditions/Comments  | Min        | Typ   | Max         | Unit  |
|--|---|------------|-------|-------------|---|
| THD                                    | VDD_5V = 5.0 V, f <sub>IN</sub> = 1 kHz, -0.5 dBFS, REFIN = 4.096 V |            | -130  |             | dB  |
| SINAD                                  | VDD_5V = 5.0 V, f <sub>IN</sub> = 1 kHz, -0.5 dBFS, REFIN = 4.096 V |            | 104   |             | dB  |
| SNR                                    | f <sub>IN</sub> = 100 kHz, -0.5 dBFS                                |            | 105.6 |             | dB  |
| THD                                    | f <sub>IN</sub> = 100 kHz, -0.5 dBFS                                |            | -113  |             | dB  |
| SINAD                                  | f <sub>IN</sub> = 100 kHz, -0.5 dBFS                                |            | 104.9 |             | dB  |
| -3 dB Input Bandwidth                  |   |            | 74    |             | MHz   |
| Aperture Delay                         |   |            | 0.7   |             | ns  |
| Aperture Jitter                        |   |            | 1.4   |             | ps rms  |
| CHANNEL-TO-CHANNEL CROSSTALK           | f <sub>IN</sub> = 1 kHz, 1.3 kHz                                    |            | -135  |             | dB  |
| INTERNAL REFERENCE BUFFER              | External reference drives REFIN                                     |            |       |             |   |
| REFIN Voltage Range                    | 5.3 V ≤ VDD_5V ≤ 5.5 V  | 4.95       | 5     | 5.05        | V   |
|  | 4.8 V ≤ VDD_5V ≤ 5.25 V   |            | 4.5   |             | V   |
|  | 4.75 V ≤ VDD_5V ≤ 5.25 V  | 4.046      | 4.096 | 4.146       | V   |
| REFIN Bias Current                     |   | -50        | 5     | +50         | nA  |
| REFIN Input Capacitance                |   |            | 40    |             | pF  |
| Reference Buffer Offset Error          | REFIN = 5 V, T <sub>A</sub> = 25°C                                  | -100       | ±25   | +100        | μV  |
|  | REFIN = 4.5 V, T <sub>A</sub> = 25°C                                |            | ±25   |             | μV  |
|  | REFIN = 4.096 V, T <sub>A</sub> = 25°C                              | -100       | ±25   | +100        | μV  |
| Reference Buffer Offset Drift          |   |            | ±0.3  |             | μV/°C   |
| Power-On Settling Time                 |   |            | 3     |             | ms  |
| EXTERNALLY OVERDRIVEN REFERENCE        | External reference drives REF (REFIN = 0 V)                         |            |       |             |   |
| REF Voltage Range                      | 5.3 V ≤ VDD_5V ≤ 5.5 V  | 4.95       | 5     | 5.05        | V   |
|  | 4.8 V ≤ VDD_5V ≤ 5.25 V   |            | 4.5   |             | V   |
|  | 4.75 V ≤ VDD_5V ≤ 5.25 V  | 4.046      | 4.096 | 4.146       | V   |
| REF Current                            | f <sub>S</sub> = 2 MSPS   |            | 1.8   |             | μA  |
| REF Input Capacitance                  |   |            | 2     |             | μF  |
| DIGITAL INPUTS                         | 1.14 V ≤ VIO ≤ 1.89 V   |            |       |             |   |
| Logic Levels                           |   |            |       |             |   |
| Input Voltage Low (V <sub>IL</sub> )   |   | -0.3       |       | +0.35 × VIO | V   |
| Input Voltage High (V <sub>IH</sub> )  |   | 0.65 × VIO |       | VIO + 0.3   | V   |
| Input Current Low (I <sub>IL</sub> )   |   | -10        |       | +10         | μA  |
| Input Current High (I <sub>IH</sub> )  |   | -10        |       | +10         | μA  |
| Input Pin Capacitance                  |   |            | 2     |             | pF  |
| DIGITAL OUTPUTS                        | 1.14 V ≤ VIO ≤ 1.89 V   |            |       |             |   |
| Pipeline Delay                         |   |            |       |             | Conversion results available immediately after completed conversion |
| Output Voltage Low (V <sub>OL</sub> )  | Sink current (I <sub>SINK</sub> ) = 2 mA                            |            |       | 0.25 × VIO  | V   |
| Output Voltage High (V <sub>OH</sub> ) | Source current (I <sub>SOURCE</sub> ) = 2 mA                        | 0.75 × VIO |       |             | V   |
| POWER SUPPLIES                         |   |            |       |             |   |
| VDD_5V                                 | REF = 5 V   | 5.3        | 5.4   | 5.5         | V   |
|  | REF = 4.5 V   | 4.8        | 5     | 5.25        | V   |
|  | REF = 4.096 V   | 4.75       | 5     | 5.25        | V   |
| VDD_1.8V                               |   | 1.71       | 1.8   | 1.89        | V   |
| VIO <sup>3</sup>                       |   | 1.14       |       | 1.89        | V   |

## SPECIFICATIONS

Table 1.

| Parameter                | Test Conditions/Comments  | Min | Typ | Max  | Unit |
|--------------------------|---|-----|-----|------|------|
| Standby Current          |   |     |     |      |      |
| VDD_5V                   |   |     | 500 |      | μA   |
| VDD_1.8V                 |   |     | 90  |      | μA   |
| VIO                      |   |     | <1  |      | μA   |
| Shutdown Current         |   |     |     |      |      |
| VDD_5V                   |   |     | 5   |      | μA   |
| VDD_1.8V                 |   |     | 5   |      | μA   |
| VIO                      |   |     | <1  |      | μA   |
| Operating Current        | Both channels active, 2 MSPS  |     |     |      |      |
| VDD_5V                   | VDD_5V = 5.4 V  |     | 2.7 | 3.2  | mA   |
| VDD_1.8V                 | VDD_1.8V = 1.8 V  |     | 8.2 | 11.2 | mA   |
| VIO                      | VIO = 1.8 V, 1-lane SDO   |     | 0.6 |      | mA   |
| Power Dissipation        | Both channels active, 2 MSPS  |     | 30  | 39   | mW   |
| t <sub>RESET_DELAY</sub> | After power-on, delay from VDD_5V and VDD_1.8V valid to $\overline{\text{RST}}$ assertion | 3   |     |      | ms   |
| t <sub>RESET_PW</sub>    | $\overline{\text{RST}}$ pulse width   | 50  |     |      | ns   |
| TEMPERATURE RANGE        |   |     |     |      |      |
| Specified Performance    | T <sub>MIN</sub> to T <sub>MAX</sub>  | -40 |     | +125 | °C   |

<sup>1</sup> The acquisition phase is the time available for the input sampling capacitors to acquire a new input with the ADC running at a throughput rate of 2 MSPS.

<sup>2</sup> See the low frequency noise plot in Figure 24. 1/f noise is canceled internally by auto-zeroing. Noise spectral density is substantially uniform from dc to f<sub>S</sub>/2.

<sup>3</sup> When VIO < 1.4V, Bit IO2X must be set to 1. See the Output Driver Register section.

## TIMING SPECIFICATIONS

VDD\_5V = 5.4 V, VDD\_1.8V = 1.8 V, VIO = 1.8 V, REFIN = 5 V, input common mode = 2.5 V, f<sub>S</sub> = 2 MSPS, and all specifications T<sub>MIN</sub> to T<sub>MAX</sub>, unless otherwise noted. Typical values are at T<sub>A</sub> = 25°C. See Figure 2 for the timing voltage levels. For VIO < 1.4 V, Bit IO2X must be set to 1.

Table 2. Digital Timing Interface

| Parameter <sup>1</sup>                            | Symbol            | Min  | Typ | Max  | Unit |
|---|-------------------|------|-----|------|------|
| Conversion Time—CNV Rising Edge to Data Available | t <sub>CONV</sub> | 264  | 282 | 300  | ns   |
| Acquisition Phase <sup>2</sup>                    | t <sub>ACQ</sub>  | 244  | 260 |      | ns   |
| Time Between Conversions                          | t <sub>CYC</sub>  | 500  |     |      | ns   |
| CNV High Time                                     | t <sub>CNVH</sub> | 10   |     |      | ns   |
| CNV Low Time                                      | t <sub>CNVL</sub> | 20   |     |      | ns   |
| Internal Oscillator Frequency                     | f <sub>OSC</sub>  | 75.1 | 80  | 84.7 | MHz  |

<sup>1</sup> Timing specifications assume a 5 pF load capacitance on digital output pins. t<sub>CONV</sub>, t<sub>CYC</sub>, t<sub>SCK</sub>, and t<sub>SCKOUT</sub> are production tested. All other timing specifications are guaranteed by characterization and design.

<sup>2</sup> The acquisition phase is the time available for the input sampling capacitors to acquire a new input with the ADC running at a throughput rate of 2 MSPS.

SPECIFICATIONS

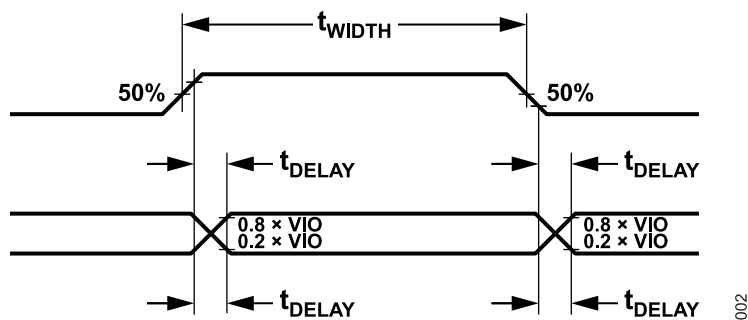


Figure 2. Voltage Levels for Timing

Table 3. Register Read/Write Timing

| Parameter  | Symbol             | Min  | Typ | Max  | Unit |
|--|--------------------|------|-----|------|------|
| $\overline{\text{CS}}$ Pulse Width                           | $t_{\text{CSPW}}$  | 10   |     |      | ns   |
| SCK Period   | $t_{\text{SCK}}$   |      |     |      | ns   |
| $V_{\text{IO}} > 1.71 \text{ V}$                             |                    | 11.6 |     |      | ns   |
| $V_{\text{IO}} > 1.14 \text{ V}$                             |                    | 12.3 |     |      | ns   |
| SCK Low Time   | $t_{\text{SCKL}}$  | 5.2  |     |      | ns   |
| SCK High Time  | $t_{\text{SCKH}}$  | 5.2  |     |      | ns   |
| SCK Falling Edge to Data Remains Valid                       | $t_{\text{HSDO}}$  | 2.1  |     |      | ns   |
| SCK Falling Edge to Data Valid Delay                         | $t_{\text{DSDO}}$  |      |     |      | ns   |
| $V_{\text{IO}} > 1.71 \text{ V}$                             |                    |      |     | 9.4  | ns   |
| $V_{\text{IO}} > 1.14 \text{ V}$                             |                    |      |     | 11.8 | ns   |
| $\overline{\text{CS}}$ Rising Edge to SDO High Impedance     | $t_{\text{CSDIS}}$ |      |     | 9    | ns   |
| SDI Valid Setup Time to SCK Rising Edge                      | $t_{\text{SSDI}}$  | 1.5  |     |      | ns   |
| SDI Valid Hold Time from SCK Rising Edge                     | $t_{\text{HSDI}}$  | 1.5  |     |      | ns   |
| $\overline{\text{CS}}$ Falling Edge to First SCK Rising Edge | $t_{\text{CSSCK}}$ |      |     |      | ns   |
| $V_{\text{IO}} > 1.71 \text{ V}$                             |                    | 11.6 |     |      | ns   |
| $V_{\text{IO}} > 1.14 \text{ V}$                             |                    | 12.3 |     |      | ns   |
| Last SCK Edge to $\overline{\text{CS}}$ Rising Edge          | $t_{\text{SCKCS}}$ | 5.2  |     |      | ns   |

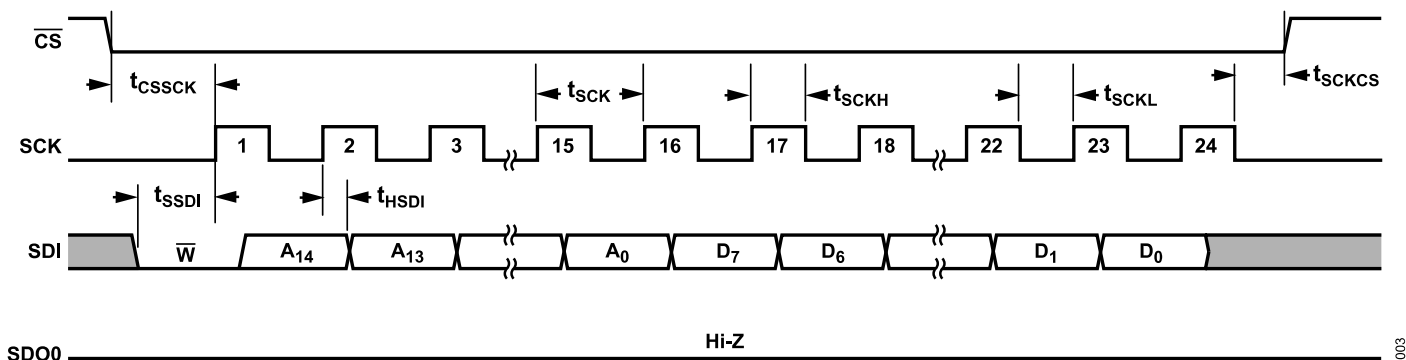


Figure 3. Register Configuration Mode Write Timing

SPECIFICATIONS

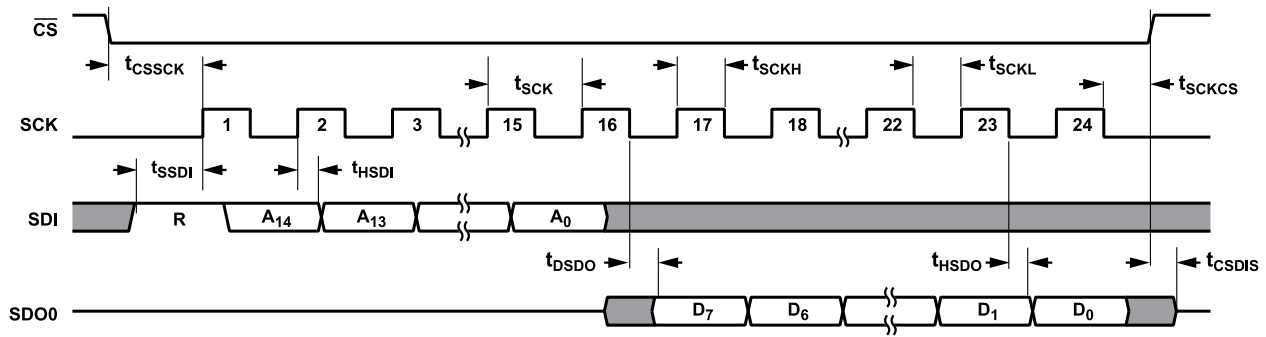


Figure 4. Register Configuration Mode Read Timing

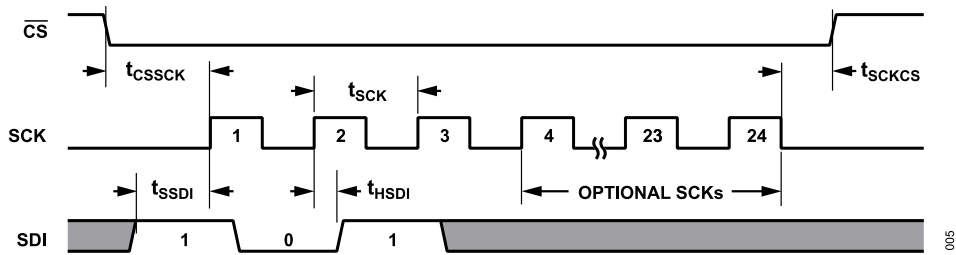
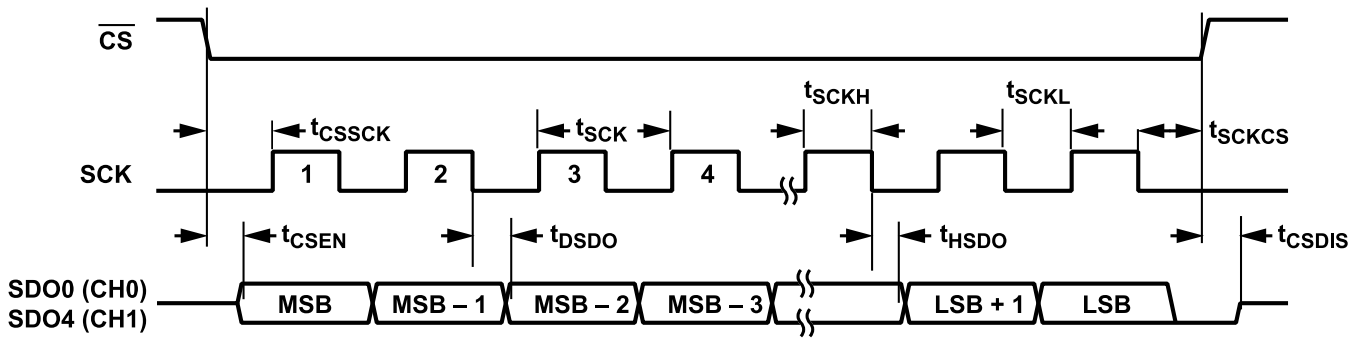


Figure 5. Register Configuration Mode Command Timing

Table 4. SPI Compatible Mode Timing

| Parameter                                | Symbol       | Min  | Typ | Max | Unit |
|--|--------------|------|-----|-----|------|
| SCK Period                               | $t_{SCK}$    | 9.8  |     |     | ns   |
| VIO > 1.71 V                             |              | 12.3 |     |     | ns   |
| VIO > 1.14 V                             |              |      |     |     |      |
| SCK Low Time                             | $t_{SCKL}$   | 4.2  |     |     | ns   |
| VIO > 1.71 V                             |              | 5.2  |     |     | ns   |
| VIO > 1.14 V                             |              |      |     |     |      |
| SCK High Time                            | $t_{SCKH}$   | 4.2  |     |     | ns   |
| VIO > 1.71 V                             |              | 5.2  |     |     | ns   |
| VIO > 1.14 V                             |              |      |     |     |      |
| SCK Falling Edge to Data Remains Valid   | $t_{HSDO}$   | 1.4  |     |     | ns   |
| SCK Falling Edge to Data Valid Delay     | $t_{DSDO}$   |      |     | 5.6 | ns   |
| VIO > 1.71 V                             |              |      |     | 8.1 | ns   |
| VIO > 1.14 V                             |              |      |     |     |      |
| CS Falling Edge to SDO Valid             | $t_{CSEN}$   |      |     | 6.8 | ns   |
| VIO > 1.71 V                             |              |      |     | 9.3 | ns   |
| VIO > 1.14 V                             |              |      |     |     |      |
| CS Falling Edge to First SCK Rising Edge | $t_{CSSCK}$  | 9.8  |     |     | ns   |
| VIO > 1.71 V                             |              | 12.3 |     |     | ns   |
| VIO > 1.14 V                             |              |      |     |     |      |
| Last SCK Edge to CS Rising Edge          | $t_{SCKCS}$  | 4.2  |     |     | ns   |
| CS Rising Edge to SDO High Impedance     | $t_{CSDIS}$  |      |     | 9   | ns   |
| CS Falling Edge to BUSY Rising Edge      | $t_{CSBUSY}$ |      | 6   |     | ns   |

SPECIFICATIONS

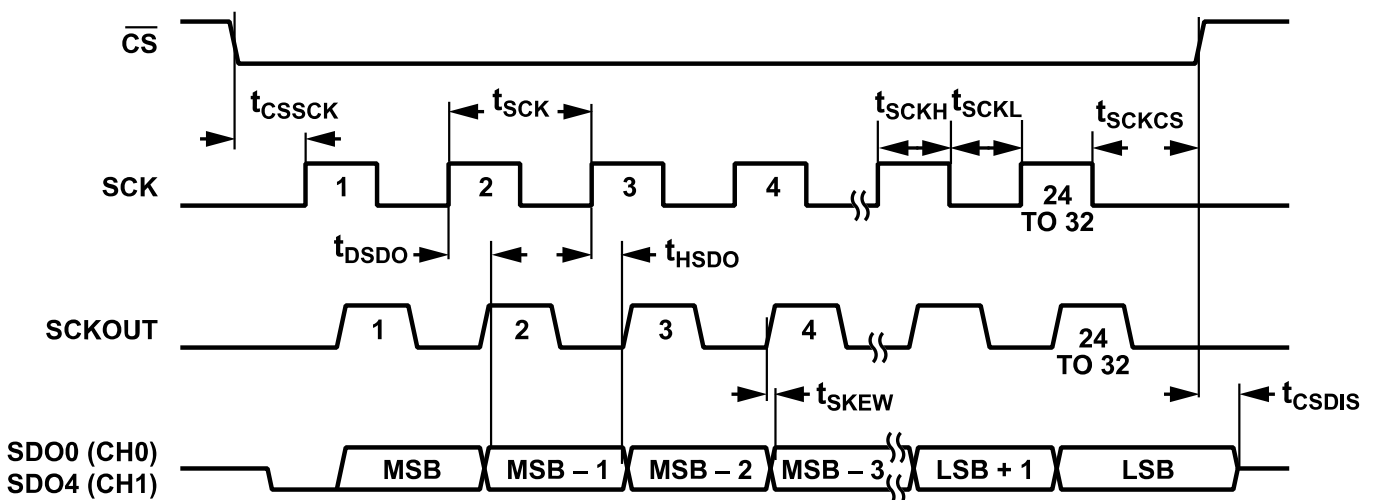


006

Figure 6. SPI Clocking Mode 1-Lane SDR Timing

Table 5. Echo Clock Mode Timing, SDR, 1-Lane

| Parameter                                    | Symbol               | Min  | Typ | Max  | Unit |
|--|----------------------|------|-----|------|------|
| SCK Period                                   | $t_{SCK}$            | 9.8  |     |      | ns   |
| VIO > 1.71 V                                 |                      | 12.3 |     |      | ns   |
| VIO > 1.14 V                                 |                      |      |     |      | ns   |
| SCK Low Time, SCK High Time                  | $t_{SCKL}, t_{SCKH}$ | 4.2  |     |      | ns   |
| VIO > 1.71 V                                 |                      | 5.2  |     |      | ns   |
| VIO > 1.14 V                                 |                      |      |     |      | ns   |
| SCK Rising Edge to Data/SCKOUT Remains Valid | $t_{HSDO}$           | 1.1  |     |      | ns   |
| SCK Rising Edge to Data/SCKOUT Valid Delay   | $t_{DSDO}$           |      |     | 5.6  | ns   |
| VIO > 1.71 V                                 |                      |      |     | 8.1  | ns   |
| VIO > 1.14 V                                 |                      |      |     |      | ns   |
| CS Falling Edge to First SCK Rising Edge     | $t_{CSSCK}$          | 9.8  |     |      | ns   |
| VIO > 1.71 V                                 |                      | 12.3 |     |      | ns   |
| VIO > 1.14 V                                 |                      |      |     |      | ns   |
| Skew Between Data and SCKOUT                 | $t_{SKEW}$           | -0.4 | 0   | +0.4 | ns   |
| Last SCK Edge to CS Rising Edge              | $t_{SCKCS}$          | 4.2  |     |      | ns   |
| CS Rising Edge to SDO High Impedance         | $t_{CSDIS}$          |      |     | 9    | ns   |



007

Figure 7. Echo Clock Mode Timing, SDR, 1-Lane



SPECIFICATIONS

Table 6. Echo Clock Mode Timing, DDR, 1-Lane

| Parameter   | Symbol                  | Min  | Typ | Max  | Unit |
|---|-------------------------|------|-----|------|------|
| SCK Period  | $t_{SCK}$               | 12.3 |     |      | ns   |
| SCK Low Time, SCK High Time                           | $t_{SCKL}$ , $t_{SCKH}$ | 5.2  |     |      | ns   |
| SCK Edge to Data/SCKOUT Remains Valid                 | $t_{HSDO}$              | 1.1  |     |      | ns   |
| SCK Edge to Data/SCKOUT Valid Delay                   | $t_{DSDO}$              |      |     | 6.2  | ns   |
| VIO > 1.71 V  |                         |      |     | 8.7  | ns   |
| VIO > 1.14 V  |                         |      |     |      | ns   |
| $\overline{CS}$ Falling Edge to First SCK Rising Edge | $t_{CSSCK}$             | 12.3 |     |      | ns   |
| Skew Between Data and SCKOUT                          | $t_{SKEW}$              | -0.4 | 0   | +0.4 | ns   |
| Last SCK Edge to $\overline{CS}$ Rising Edge          | $t_{SCKCS}$             | 9    |     |      | ns   |
| $\overline{CS}$ Rising Edge to SDO High Impedance     | $t_{CSDIS}$             |      |     | 9    | ns   |

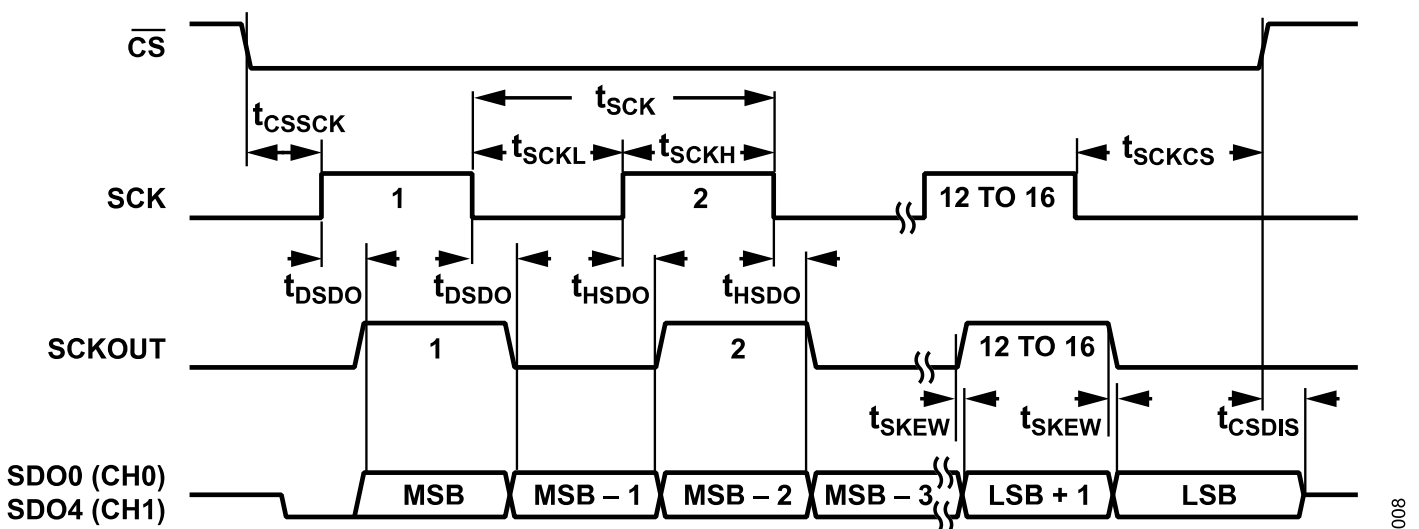


Figure 8. Echo Clock Mode Timing, DDR, 1-Lane

Table 7. Master Clock Mode Timing

| Parameter  | Symbol         | Min                      | Typ  | Max                      | Unit |
|--|----------------|--------------------------|------|--------------------------|------|
| SCK Period   | $t_{SCKOUT}$   | 11.8                     | 12.5 | 13.3                     | ns   |
| OSC_DIV = No Divide                                      |                | 23.6                     | 25   | 26.6                     | ns   |
| OSC_DIV = Divide by 2                                    |                | 47.4                     | 50   | 53.2                     | ns   |
| OSC_DIV = Divide by 4                                    |                |                          |      |                          | ns   |
| SCK Low Time   | $t_{SCKOUTL}$  | $0.45 \times t_{SCKOUT}$ |      | $0.55 \times t_{SCKOUT}$ | ns   |
| SCK High Time  | $t_{SCKOUTH}$  | $0.45 \times t_{SCKOUT}$ |      | $0.55 \times t_{SCKOUT}$ | ns   |
| $\overline{CS}$ Falling Edge to First SCKOUT Rising Edge | $t_{DSCKOUT}$  |                          |      |                          | ns   |
| VIO > 1.71 V   |                | 10                       | 13.6 | 19                       | ns   |
| VIO > 1.14 V   |                | 10                       | 15   | 21                       | ns   |
| Skew Between Data and SCKOUT                             | $t_{SKEW}$     | -0.4                     | 0    | +0.4                     | ns   |
| Last SCKOUT Edge to $\overline{CS}$ Rising Edge          | $t_{SCKOUTCS}$ | 5.2                      |      |                          | ns   |
| $\overline{CS}$ Rising Edge to SDO High Impedance        | $t_{CSDIS}$    |                          |      | 9                        | ns   |

SPECIFICATIONS

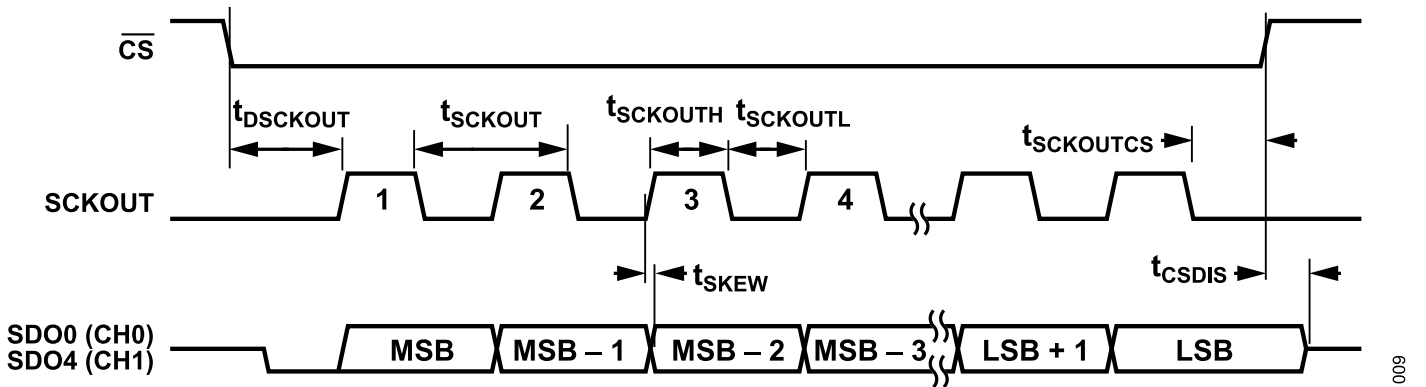


Figure 9. Master Clock Mode Timing, SDR, 1-Lane

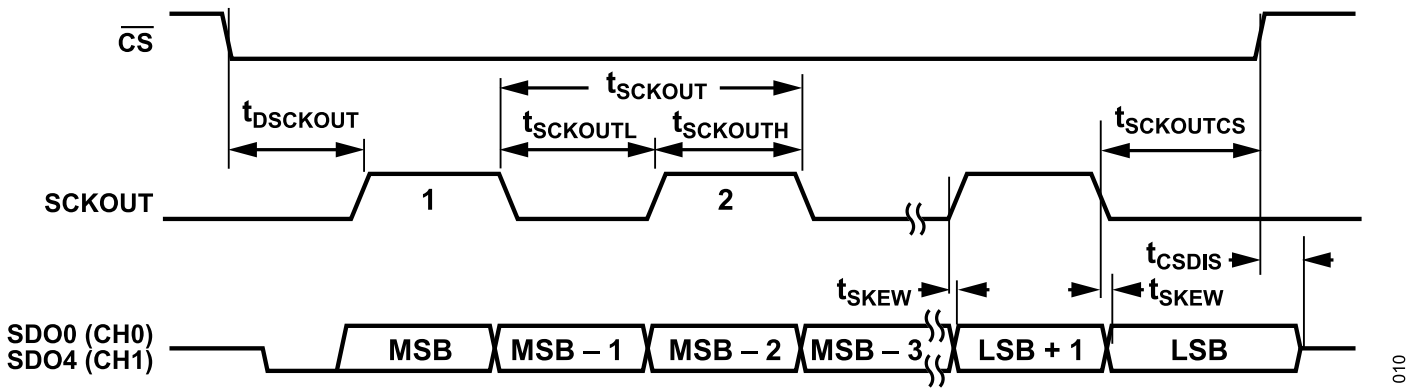


Figure 10. Master Clock Mode Timing, DDR, 1-Lane

## ABSOLUTE MAXIMUM RATINGS

Table 8.

| Parameter   | Rating                  |
|---|-------------------------|
| Analog Inputs<br>IN1+, IN1-, IN0+, IN0-, REFIN to GND | -0.3 V to VDD_5V +0.3 V |
| Supply Voltage<br>VDD_5V, REF to GND                  | -0.3 V to +6.0 V        |
| VDD_1.8V, VIO to GND                                  | -0.3 V to +2.1 V        |
| Digital Inputs to GND<br>CNV to GND                   | -0.3 V to VIO + 0.3 V   |
| Digital Outputs to GND                                | -0.3 V to VIO + 0.3 V   |
| Storage Temperature Range                             | -55°C to +150°C         |
| Operating Junction Temperature Range                  | -40°C to +125°C         |
| Maximum Reflow (Package Body) Temperature             | 260°C                   |

Stresses at or above those listed under Absolute Maximum Ratings may cause permanent damage to the product. This is a stress rating only; functional operation of the product at these or any other conditions above those indicated in the operational section of this specification is not implied. Operation beyond the maximum operating conditions for extended periods may affect product reliability.

## THERMAL RESISTANCE

Thermal performance is directly linked to printed circuit board (PCB) design and operating environment. Careful attention to PCB thermal design is required.

$\theta_{JA}$  is the natural convection junction to ambient thermal resistance measured in a one cubic foot sealed enclosure.  $\theta_{JC}$  is the junction to case thermal resistance.

Table 9. Thermal Resistance

| Package Type | $\theta_{JA}$ | $\theta_{JC}$ | Unit |
|--------------|---------------|---------------|------|
| BC-64-8      | 35            | 16            | °C/W |

## ELECTROSTATIC DISCHARGE (ESD) RATINGS

The following ESD information is provided for handling of ESD-sensitive devices in an ESD protected area only.

Human body model (HBM) per ANSI/ESDA/JEDEC JS-001.

Field induced charged device model (FICDM) per ANSI/ESDA/JEDEC JS-002.

### ESD Ratings for AD4630-24

Table 10. AD4630-24, 64-Ball CSP\_BGA

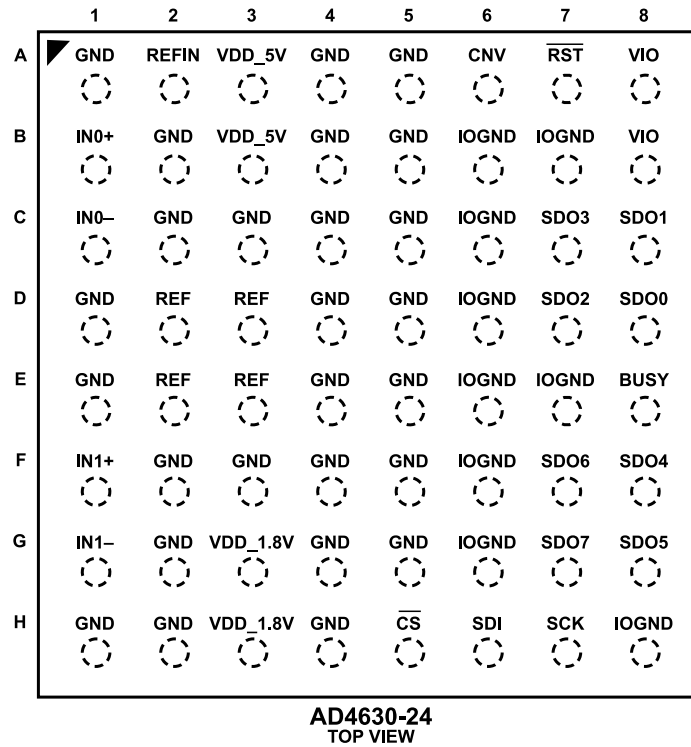
| ESD Model | Withstand Threshold (kV) | Class |
|-----------|--------------------------|-------|
| HBM       | 4                        | 3A    |
| FICDM     | 1.25                     | C3    |

## ESD CAUTION



**ESD (electrostatic discharge) sensitive device.** Charged devices and circuit boards can discharge without detection. Although this product features patented or proprietary protection circuitry, damage may occur on devices subjected to high energy ESD. Therefore, proper ESD precautions should be taken to avoid performance degradation or loss of functionality.

## PIN CONFIGURATION AND FUNCTION DESCRIPTIONS



011

Figure 11. Pin Configuration

Table 11. Pin Function Descriptions

| Pin No.        | Mnemonic                | Type <sup>1</sup> | Description   |
|----------------|-------------------------|-------------------|---|
| B1             | IN0+                    | AI                | Channel 0 Positive Analog Input.  |
| C1             | IN0-                    | AI                | Channel 0 Negative Analog Input.  |
| F1             | IN1+                    | AI                | Channel 1 Positive Analog Input.  |
| G1             | IN1-                    | AI                | Channel 1 Negative Analog Input.  |
| A2             | REFIN                   | AI                | Buffered Reference Input. When using the internal reference buffer, drive REFIN with 4.096 V to 5 V (referred to GND). To disable the reference buffer, tie REFIN to GND and drive REF with 4.096 V to 5 V.               |
| D2, D3, E2, E3 | REF                     | AI                | Optional Unbuffered Reference Input. Drive REF with 4.096 V to 5 V (referred to GND). This pin has a 2 $\mu\text{F}$ bypass capacitor inside the package. When using the internal reference buffer, do not connect REF.   |
| D8             | SDO0                    | DO                | Channel 0 Serial Data Output. The conversion result outputs on this pin. It is synchronized to SCK.   |
| C8             | SDO1                    | DO                | Channel 0 Serial Data Output. The conversion result outputs on this pin. It is synchronized to SCK.   |
| D7             | SDO2                    | DO                | Channel 0 Serial Data Output. The conversion result outputs on this pin. It is synchronized to SCK.   |
| C7             | SDO3                    | DO                | Channel 0 Serial Data Output. The conversion result outputs on this pin. It is synchronized to SCK.   |
| F8             | SDO4                    | DO                | Channel 1 Serial Data Output. The conversion result outputs on this pin. It is synchronized to SCK.   |
| G8             | SDO5                    | DO                | Channel 1 Serial Data Output. The conversion result outputs on this pin. It is synchronized to SCK.   |
| F7             | SDO6                    | DO                | Channel 1 Serial Data Output. The conversion result outputs on this pin. It is synchronized to SCK.   |
| G7             | SDO7                    | DO                | Channel 1 Serial Data Output. The conversion result outputs on this pin. It is synchronized to SCK.   |
| H7             | SCK                     | DI                | Serial Data Clock Input. When the device is selected ( $\overline{\text{CS}} = \text{low}$ ), the conversion result is shifted out by this clock.   |
| H6             | SDI                     | DI                | Serial Data Input.  |
| H5             | $\overline{\text{CS}}$  | DI                | Chip Select Input (Active Low).   |
| A6             | CNV                     | DI                | Convert Input. A rising edge on this input powers up the device and initiates a new conversion. This signal must have low jitter to achieve the specified performance of the ADC. The logic levels are determined by VIO. |
| A7             | $\overline{\text{RST}}$ | DI                | Reset Input (Active Low). Asynchronous device reset.  |

## PIN CONFIGURATION AND FUNCTION DESCRIPTIONS

Table 11. Pin Function Descriptions

| Pin No.  | Mnemonic    | Type <sup>1</sup> | Description  |
|--|-------------|-------------------|--|
| E8   | BUSY_SCKOUT | DO                | BUSY Indicator in SPI Clocking Mode. This pin goes high at the start of a new conversion and returns low when the conversion finishes. The logic levels are determined by VIO. When SCKOUT is enabled, this pin function is either an echo of the incoming SCK from the host controller or a clock sourced by the internal oscillator. |
| A3,B3  | VDD_5V      | P                 | 5 V Power Supply. The range of VDD_5V depends on the reference value: 5.3 V to 5.5 V for a 5 V reference, and 4.75 V to 5.25 V for a 4.096 V reference. This pin has a 1 $\mu$ F bypass capacitor inside the package.  |
| G3, H3   | VDD_1.8V    | P                 | 1.8 V Power Supply. The range of VDD_1.8V is 1.71 V to 1.89 V. This pin has a 1 $\mu$ F bypass capacitor inside the package.   |
| A8, B8   | VIO         | P                 | Input/Output Interface Digital Power. Nominally, this pin is at the same supply as the host interface (1.8 V, 1.5 V, or 1.2 V). This pin has a 0.2 $\mu$ F bypass capacitor inside the package. For VIO < 1.4 V, Bit IO2X of the output driver register must be set to 1.  |
| B6, B7, C6, D6, E6, E7, F6, G6, H8   | IOGND       | P                 | VIO Ground. Connect to the same ground plane as GND.   |
| A1, D1, E1, H1, B2, C2, F2, G2, H2, C3, F3, A4, B4, C4, D4, E4, F4, G4, H4, A5, B5, C5, D5, E5, F5, G5 | GND         | P                 | Power Supply Ground.   |

<sup>1</sup> AI is analog input, P is power, DI is digital input, and DO is digital output.

TYPICAL PERFORMANCE CHARACTERISTICS

VDD\_5V = 5.4 V, VDD\_1.8V = 1.8 V, VIO = 1.8 V, REFIN = 5 V, input common mode = 2.5 V,  $f_S = 2$  MSPS, and all specifications  $T_{MIN}$  to  $T_{MAX}$ , unless otherwise noted. Typical values are at  $T_A = 25^\circ\text{C}$ .

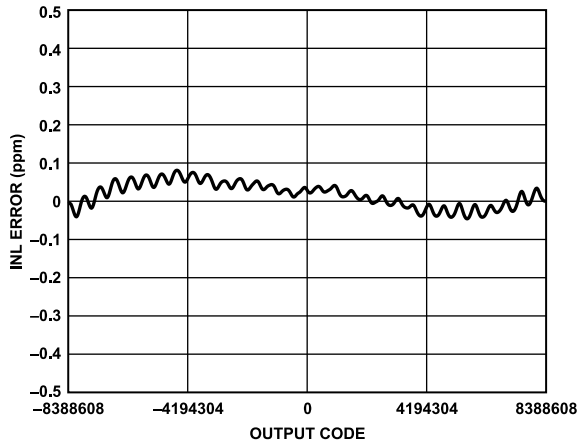


Figure 12. INL Error vs. Output Code, Differential Input

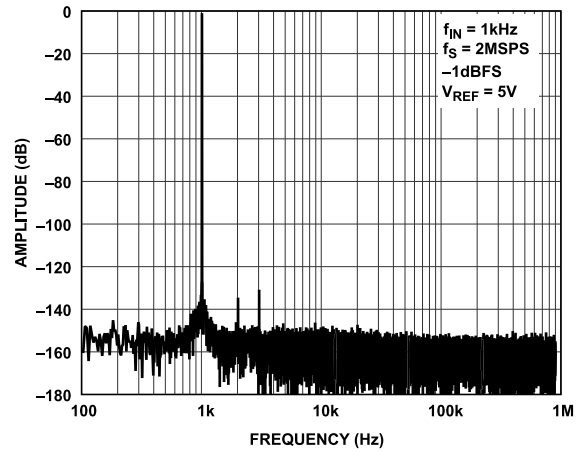


Figure 15. FFT, 2 MSPS,  $f_{IN} = 1$  kHz,  $V_{REF} = 5$  V

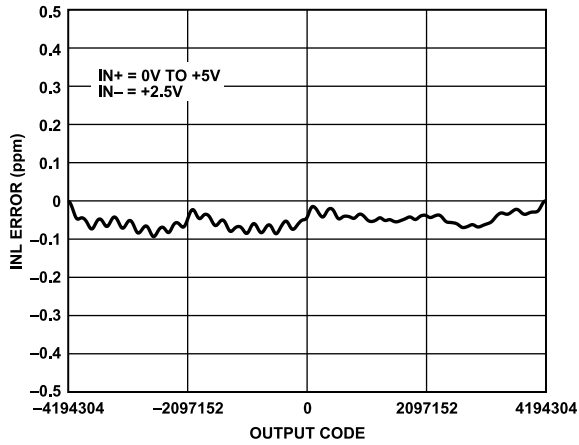


Figure 13. INL Error vs. Output Code, Single-Ended Input

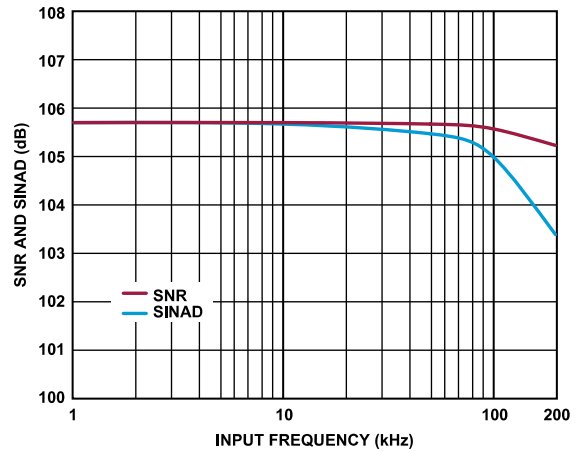


Figure 16. SNR and SINAD vs. Input Frequency

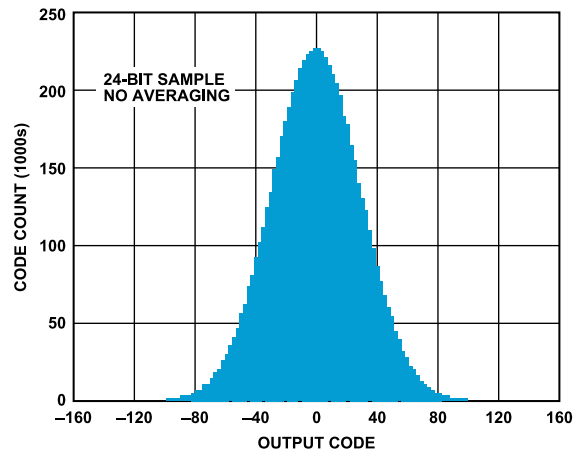


Figure 14. Code Histogram for Shorted Inputs

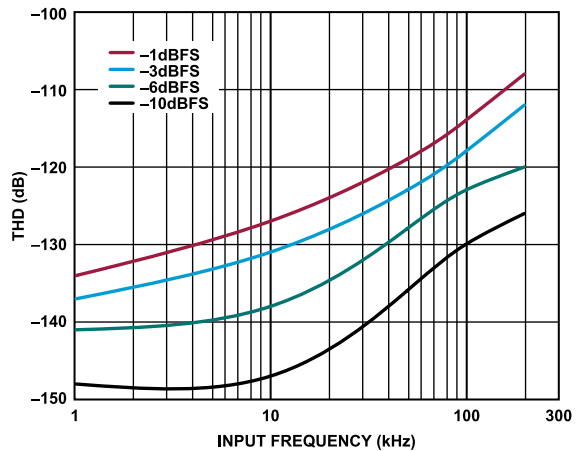


Figure 17. THD vs. Input Frequency and Amplitude

TYPICAL PERFORMANCE CHARACTERISTICS

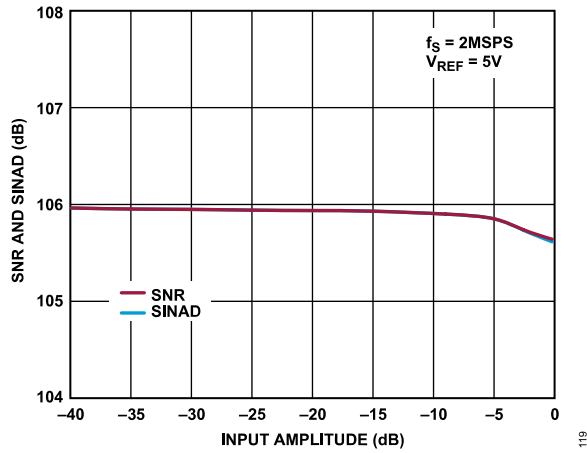


Figure 18. SNR and SINAD vs. Input Amplitude,  $f_{IN} = 1 \text{ kHz}$

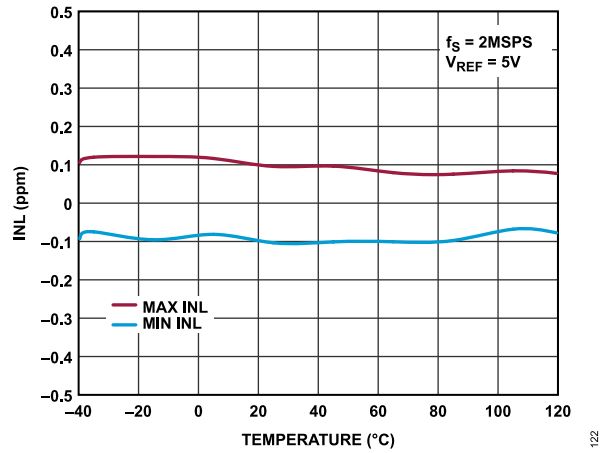


Figure 21. INL vs. Temperature

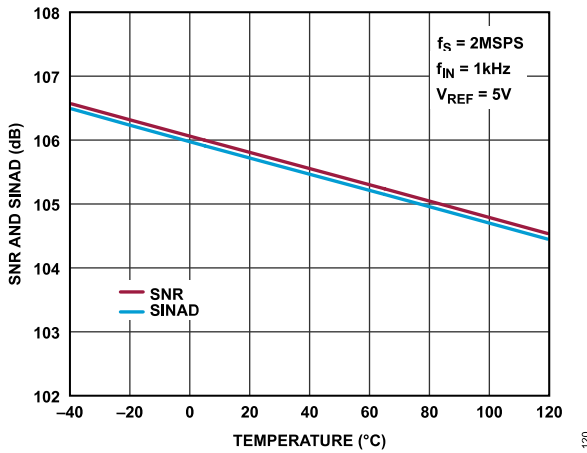


Figure 19. SNR and SINAD vs. Temperature,  $f_{IN} = 1 \text{ kHz}$

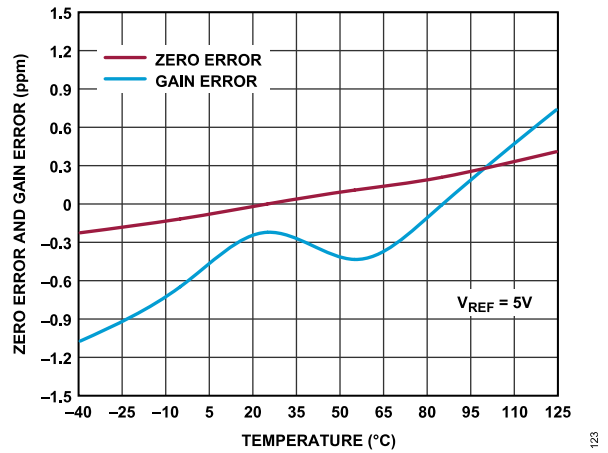


Figure 22. Zero Error and Gain Error vs. Temperature

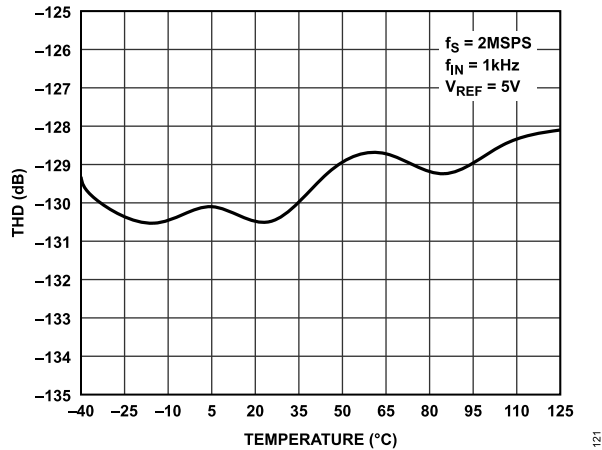


Figure 20. THD vs. Temperature,  $f_{IN} = 1 \text{ kHz}$

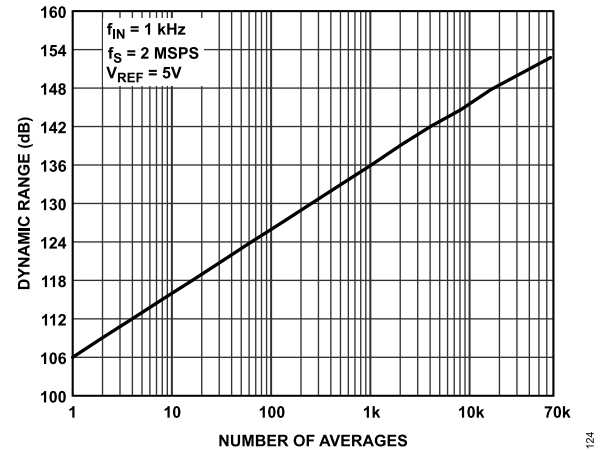


Figure 23. Dynamic Range vs. Number of Averages

TYPICAL PERFORMANCE CHARACTERISTICS

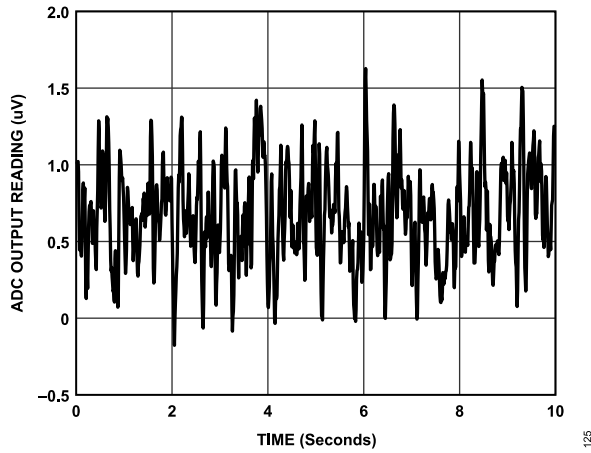


Figure 24. Low Frequency Noise (Output Data Rate = 19.5 SPS After Averaging Blocks of 2048 Samples)

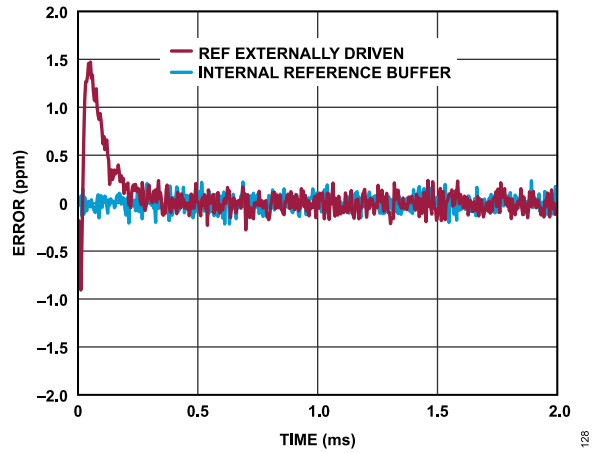


Figure 27. Error During Conversion Burst After Long Idle Time

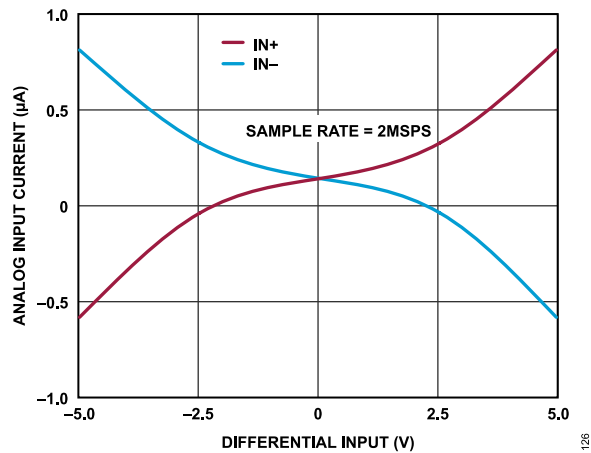


Figure 25. Analog Input Current vs. Differential Input

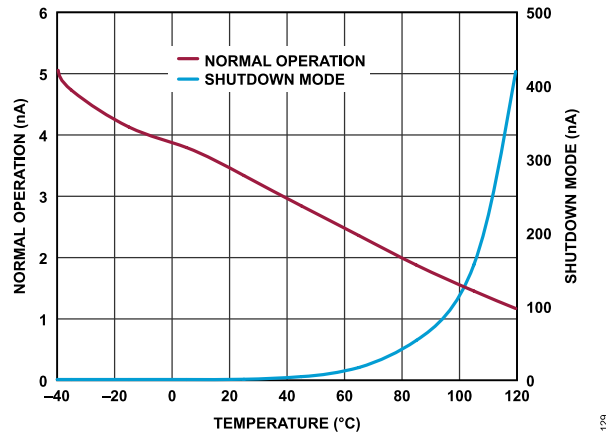


Figure 28. REFIN Current vs. Temperature

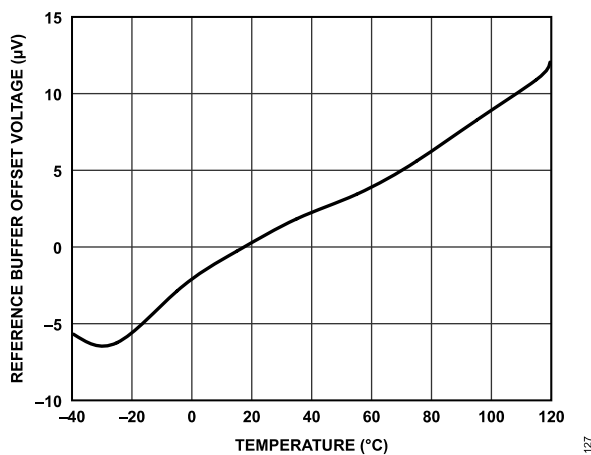


Figure 26. Reference Buffer Offset Voltage vs. Temperature

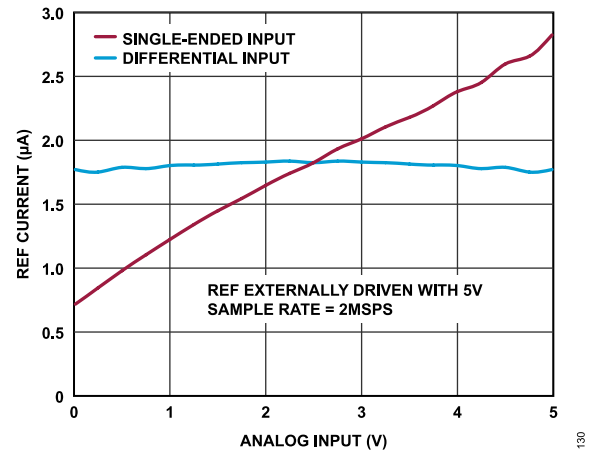


Figure 29. REF Current vs. Analog Input



TYPICAL PERFORMANCE CHARACTERISTICS

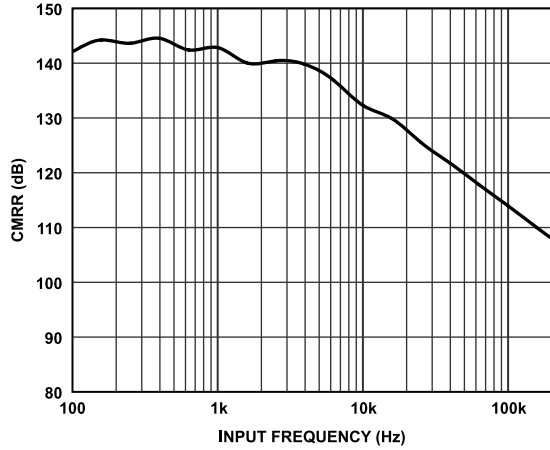


Figure 30. CMRR vs. Input Frequency

131

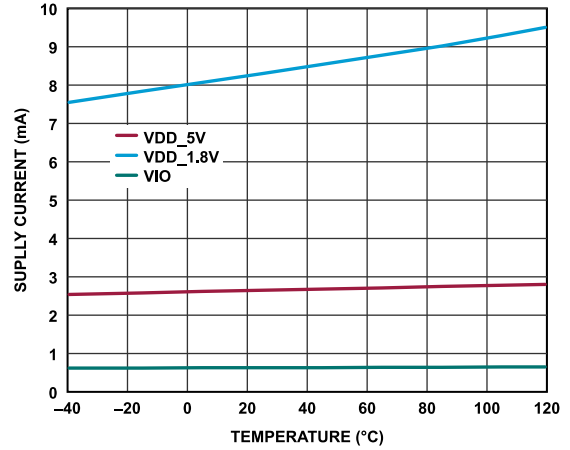


Figure 33. Supply Current vs. Temperature

134

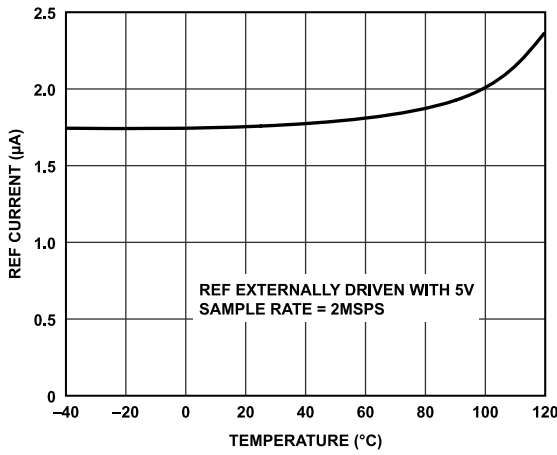


Figure 31. REF Current vs. Temperature

132

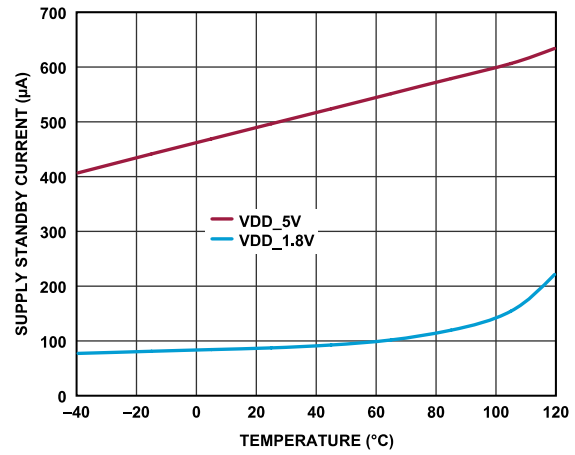


Figure 34. Supply Standby Current vs. Temperature

135

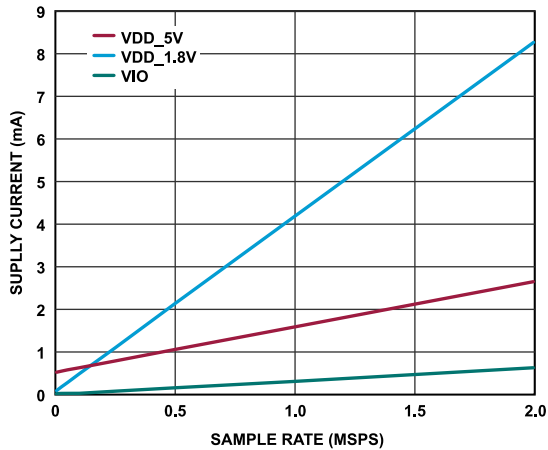


Figure 32. Supply Current vs. Sample Rate

133

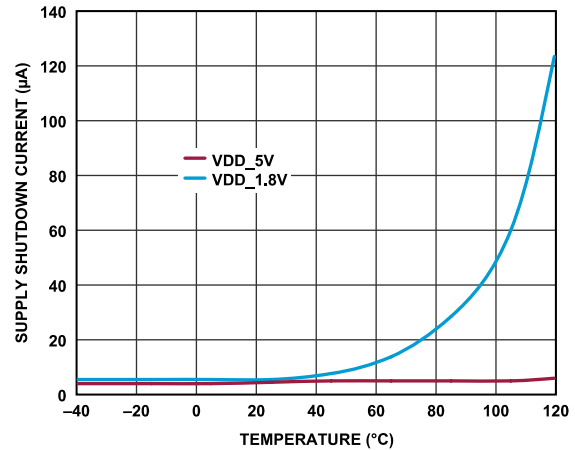


Figure 35. Supply Shutdown Current vs. Temperature

136

## TERMINOLOGY

### INTEGRAL NONLINEARITY ERROR (INL)

INL is the deviation of each individual code from a line drawn from negative full scale through positive full scale. The point used as negative full scale occurs  $\frac{1}{2}$  LSB before the first code transition. Positive full scale is defined as a level  $1\frac{1}{2}$  LSB beyond the last code transition. The deviation is measured from the middle of each code to the true straight line (see [Figure 37](#)).

### DIFFERENTIAL NONLINEARITY ERROR (DNL)

In an ideal ADC, code transitions are 1 LSB apart. DNL is the maximum deviation from this ideal value. DNL is often specified in terms of resolution for which no missing codes are guaranteed.

### ZERO ERROR (ZE)

Zero error is the difference between the ideal midscale voltage, 0 V, and the actual voltage producing the midscale output code, 0 LSB.

### GAIN ERROR (GE)

The first transition (from 100 ... 00 to 100 ... 01) occurs at a level  $\frac{1}{2}$  LSB above nominal negative full scale. The last transition (from 011 ... 10 to 011 ... 11) occurs for an analog voltage  $1\frac{1}{2}$  LSB below the nominal full scale. The gain error is the deviation of the difference between the actual level of the last transition and the actual level of the first transition from the difference between the ideal levels.

### SPURIOUS-FREE DYNAMIC RANGE (SFDR)

SFDR is the difference, in decibels (dB), between the rms amplitude of a full-scale input signal and the peak spurious signal.

### EFFECTIVE NUMBER OF BITS (ENOB)

ENOB is a measurement of the resolution with a sine wave input. ENOB is related to SINAD as follows:  $ENOB = (SINAD\text{ dB} - 1.76) / 6.02$ . ENOB is expressed in bits.

### TOTAL HARMONIC DISTORTION (THD)

THD is the ratio of the rms sum of the first five harmonic components to the rms value of a full-scale input signal and is expressed in decibels.

### DYNAMIC RANGE (DR)

Dynamic range is the rms voltage of a full-scale sine wave to the total rms voltage of the noise measured. The value for dynamic range is expressed in decibels. Dynamic range is measured with a signal at  $-60$  dBFS so that it includes all noise sources and DNL artifacts.

### SIGNAL-TO-NOISE RATIO (SNR)

SNR is the ratio of the rms voltage of a full-scale sine wave to the rms sum of all other spectral components below the Nyquist frequency, excluding harmonics and dc. The value for SNR is expressed in decibels.

### SIGNAL-TO-NOISE-AND-DISTORTION (SINAD) RATIO

SINAD is the ratio of the rms voltage of a full-scale sine wave to the rms sum of all other spectral components that are less than the Nyquist frequency, including harmonics but excluding dc. The value of SINAD is expressed in decibels.

### APERTURE DELAY

Aperture delay is the measure of the acquisition performance and is the time between the rising edge of the CNV input and when the input signal is held for a conversion.

### TRANSIENT RESPONSE

Transient response is the time required for the ADC to acquire a full-scale input step to  $\pm 1$  LSB accuracy.

### COMMON-MODE REJECTION RATIO (CMRR)

CMRR is the ratio of the power in the ADC output at the frequency,  $f$ , to the power of a 4.5 V p-p sine wave applied to the input common-mode voltage of frequency,  $f$ .

$$CMRR(dB) = 10 \times \log(P_{ADC\_IN}/P_{ADC\_OUT})$$

where:

$P_{ADC\_IN}$  is the common-mode power at the frequency,  $f$ , applied to the inputs.

$P_{ADC\_OUT}$  is the power at the frequency,  $f$ , in the ADC output.

### POWER SUPPLY REJECTION RATIO (PSRR)

PSRR is the ratio of the power in the ADC output at the frequency,  $f$ , to the power of a 200 mV p-p sine wave applied to the ADC VDD supply of frequency,  $f$ .

$$PSRR(dB) = 10 \times \log(P_{VDD\_IN}/P_{ADC\_OUT})$$

where:

$P_{VDD\_IN}$  is the power at the frequency,  $f$ , at the VDD pin.

$P_{ADC\_OUT}$  is the power at the frequency,  $f$ , in the ADC output.

## THEORY OF OPERATION

Figure 36 shows the basic functions of the AD4630-24.

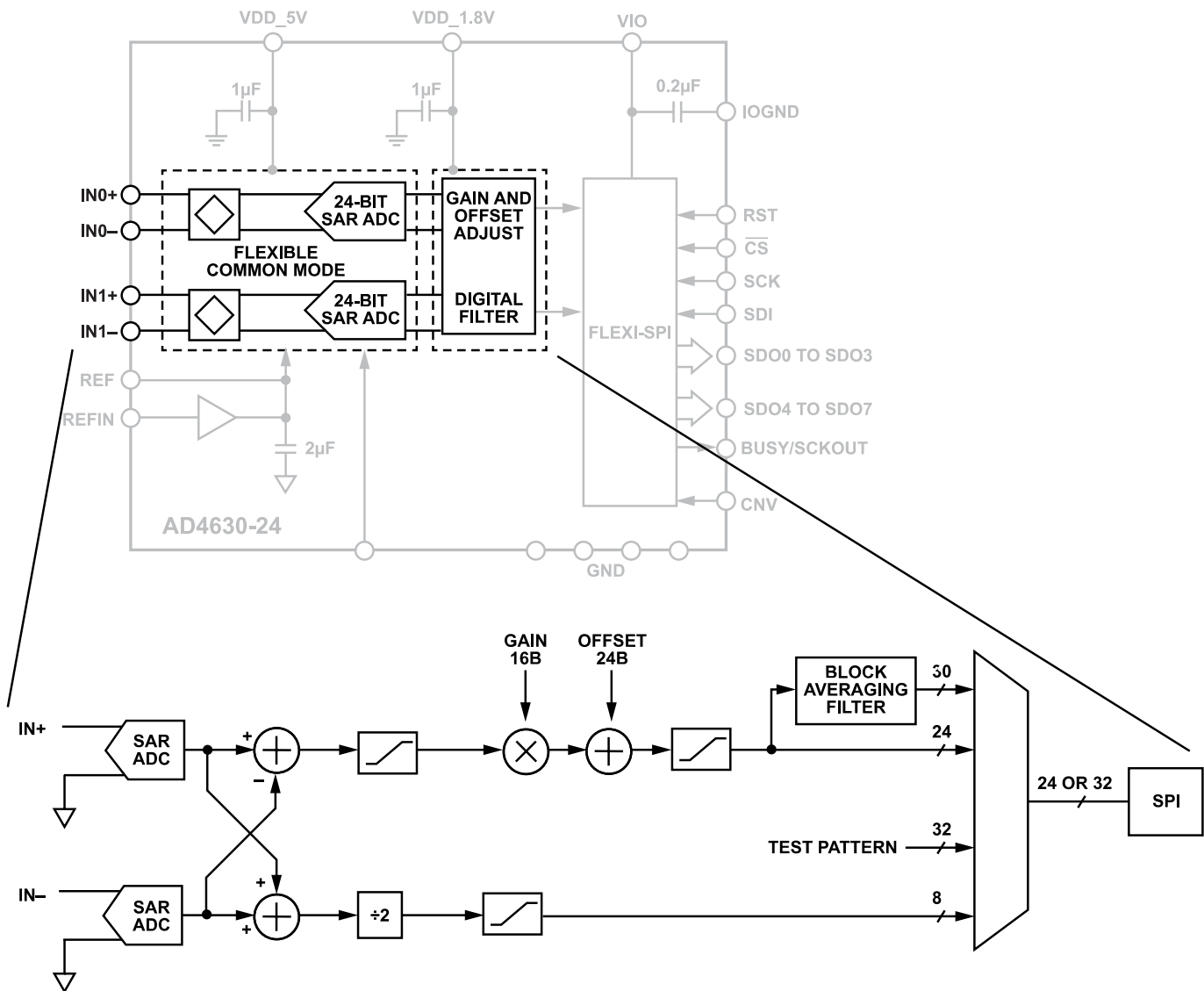


Figure 36. Functional Block Diagram and Channel Architecture

## OVERVIEW

The AD4630-24 is a low noise, low power, high speed, dual 24-bit SAR ADC. The AD4630-24 is capable of converting 2,000,000 samples per second (2 MSPS). The AD4630-24 offers several analog and digital features to ease system design. The analog features include a wide common-mode range, which eases level shifting requirements, as well as an extended fully differential input range of  $\pm(65/64) \times V_{REF}$ , which eases the margin requirements on signal conditioning.

The AD4630-24 has an integrated reference buffer with an integrated decoupling capacitor to minimize the external components on board. The on-chip track-and-hold circuitry does not exhibit any pipeline delay or latency, making it ideal for control loops and high

speed applications. The digital features include offset correction, gain adjustment, and averaging, which offload the host processor. The user can configure the device for one of several output code formats (see the [Summary of Selectable Output Data Formats](#) section).

The AD4630-24 uses a Flexi-SPI allowing the data to be accessed via multiple SPI lanes, which relaxes clocking requirements for the host SPI controller. An echo clock mode is also available to assist in data clocking, simplifying the use of isolated data interfaces. The AD4630-24 has a valid first conversion after exiting power-down mode. The AD4630-24 achieves  $\pm 0.9$  ppm INL maximum, with no missing codes at 24 bits, and 105.7 dB SNR at 2 MSPS. The AD4630-24 dissipates only 15 mW per channel at 2 MSPS.

## THEORY OF OPERATION

## CONVERTER OPERATION

The AD4630-24 operates in two phases: acquisition phase and conversion phase. In the acquisition phase, the internal track-and-hold circuitry is connected to each input pin ( $IN_{X+}$ ,  $IN_{X-}$ ) and samples the voltage on each pin independently. Issuing a rising edge pulse on the CNV pin initiates a conversion. The rising edge pulse on the CNV pin also asserts the BUSY signal to indicate a conversion in progress. At the end of conversion, the BUSY signal de-asserts. The conversion result is a 24-bit code representing the input voltage difference and an 8-bit code representing the input common-mode voltage. Depending on the device configuration, this conversion result can be processed digitally and latched into the output register. The acquisition circuit on each input pin is also precharged to the previous sample voltage, which minimizes the kickback charge to the input driver. The host processor retrieves the output code via the SDO pins that are internally connected to the output register.

## TRANSFER FUNCTION

In the default configuration, the AD4630-24 digitizes the full-scale difference voltage of  $2 \times V_{REF}$  into  $2^{24}$  levels, resulting in an LSB size of  $0.596 \mu\text{V}$  with  $V_{REF} = 5 \text{ V}$ . Note that 1 LSB at 24 bits is approximately 0.06 ppm. The ideal transfer function is shown in Figure 37. The differential output data is in twos complement format. Table 12 summarizes the mapping of input voltages to differential output codes.

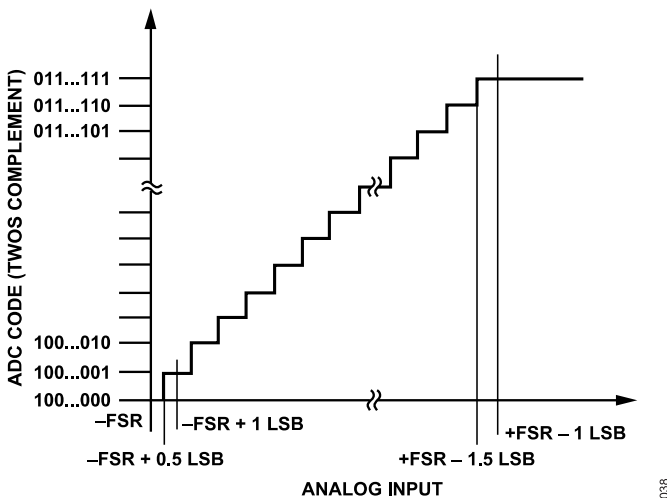


Figure 37. ADC Ideal Transfer Function for the Differential Output Codes (FSR Is Full-Scale Range)

Table 12. Input Voltage to Output Code Mapping

| Description      | Analog Input Voltage Difference      | Digital Output Code (Twos Complement, Hex) |
|------------------|--------------------------------------|--|
| FSR - 1 LSB      | $(8388607 \times V_{REF})/(8388608)$ | 0x7FFFFF                                   |
| Midscale + 1 LSB | $V_{REF}/(8388608)$                  | 0x000001                                   |
| Midscale         | 0 V                                  | 0x000000                                   |
| Midscale - 1 LSB | $-V_{REF}/(8388608)$                 | 0xFFFFF                                    |

Table 12. Input Voltage to Output Code Mapping

| Description  | Analog Input Voltage Difference       | Digital Output Code (Twos Complement, Hex) |
|--------------|---------------------------------------|--|
| -FSR + 1 LSB | $-(8388607 \times V_{REF})/(8388608)$ | 0x800001                                   |
| -FSR         | $-V_{REF}$                            | 0x800000                                   |

## ANALOG FEATURES

The AD4630-24 has a precharging circuit as a part of the internal track-and-hold circuitry, which charges the internal sampling capacitors to the previously sampled input voltage. This reduces the charge kickback, making it easier to drive than other conventional SAR ADCs. The reduced kickback, combined with a longer acquisition phase, reduces settling requirements on the driving amplifier. This combination also allows the use of larger resistor values, which are beneficial for improving amplifier stability. Furthermore, the bandwidth of the RC filter is reduced, resulting in lower noise and/or power consumption of the signal chain.

The common-mode voltage is not restricted except by the absolute voltage range for each input (from  $-1/128 \times V_{REF}$  to  $129/128 \times V_{REF}$ ). The analog inputs can be modeled by the equivalent circuit shown in Figure 38. In the acquisition phase, each input sees approximately  $58 \text{ pF}$  ( $C_{IN}$ ) from the sampling capacitor in series with  $37 \Omega$  on resistance ( $R_{ON}$ ) of the sampling switch. During the conversion phase, each input sees  $C_{PIN}$ , which is about  $2 \text{ pF}$ . Any signal that is common to both inputs is reduced by the common-mode rejection of the ADC. During the conversion, the analog inputs draw only a small leakage current.

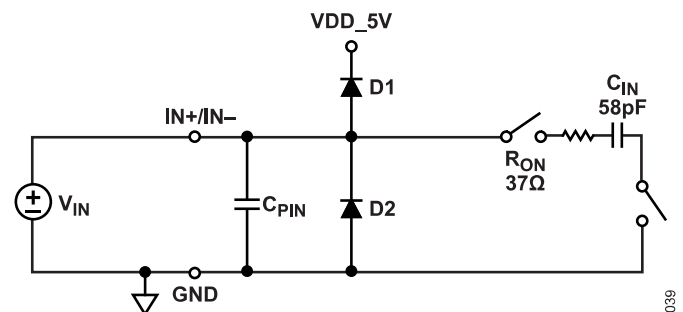


Figure 38. Equivalent Circuit for the AD4630-24 Differential Analog Input

Each input is sampled independently. The conversion results do not saturate, assuming each of the inputs are within the specified full-scale input range. Note that digital domain saturation does occur if the digital offset and digital gain parameters are configured to map the conversion result to numeral values that exceed the full-scale digital range ( $-2^{23}$  to  $+2^{23} - 1$  for the 24-bit word). An input voltage difference up to  $\pm(65/64) \times V_{REF}$  can be captured and converted without saturation by setting the digital gain parameter to a value  $< 1$ .

The slew rate at the analog input pins must be less than  $400 \text{ V}/\mu\text{s}$  during the acquisition phase and less than  $30 \text{ V}/\mu\text{s}$  at the sampling moment to ensure good performance. This rate can be ensured by

## THEORY OF OPERATION

choosing values for the external RC circuit such that the RC time constant is more than 12.5 ns ( $R \times C > 12.5\text{e-}9$ ).

### DIGITAL SAMPLE PROCESSING FEATURES

The AD4630-24 supports several digital and data processing features that can be applied to the signal samples. These features are described in this section. These features are enabled and disabled via the control registers of the AD4630-24. Figure 36 contains an ADC channel architecture block diagram illustrating the digital and data processing features available for each input channel.

#### Full-Scale Saturation

The conversion results saturate digitally (before any postprocessing) when either or both inputs exceed the specified analog limits. After applying offset and gain scaling, the results are truncated to 24-bit representation (saturating at maximum 0x7FFFFF and minimum 0x800000). Take care to avoid unintentional saturation, especially when applying digital offset and/or gain scaling. See the [Digital Offset Adjust](#) and [Digital Gain](#) sections for more details on the use of these features.

#### Common-Mode Output

When the host controller writes 0x1 or 0x2 to the OUT\_DATA\_MD bit field of the modes register (see the [Modes Register](#) section), an 8-bit code representing the input common-mode voltage is appended to the 16-bit or 24-bit code representing the input voltage difference. The LSB size of the 8-bit code is  $V_{REF}/256$ . The 8-bit code saturates at 0 and 255 when the common-mode input voltage is 0 V and  $V_{REF}$ , respectively. The 8-bit code is not affected by digital offset and gain scaling, which is applied only to the code representing the input voltage difference.

#### Block Averaging

The AD4630-24 provides a block averaging filter (SINC1) with programmable block length  $2^N$ , where  $N = 1, 2, 3, \dots, 16$ . The filter is reset after processing each block of  $2^N$  samples. The filter is enabled by writing 0x3 to the OUT\_DATA\_MD bit field of the modes register (see the [Modes Register](#) section) as well as a value ( $1 \leq N \leq 16$ ) to the AVG\_VAL bit field in the averaging mode register (see the [Averaging Mode Register](#) section). In this configuration, the output sample word is 32 bits. The 30 MSBs represent the numerical value of the 24-bit codes averaged in blocks of  $2^N$  samples. Scaling is such that the 24 MSBs of the 30-bit code are equal to the 24-bit codes when averaging blocks of constant values. The 31st bit (OR) is an overrange warning bit, which is high when one or more samples in the block are subject to saturation. The 32nd bit (SYNC) is high once every  $2^N$  conversion cycles to indicate when the average values are updated at the end of each block of samples. See the [Summary of Selectable Output Data Formats](#) section for an illustration of the data format when the filter is enabled.

The effective data rate in averaging mode is  $F_{CNV}/2^N$ . The reset value of N in the AVG\_VAL bit field is 0x00 (no averaging). Figure 53 shows an example timing diagram in averaging mode. Figure 39 shows the frequency response of the filter for  $N = 1, 2, 3, 4$ , and 5.

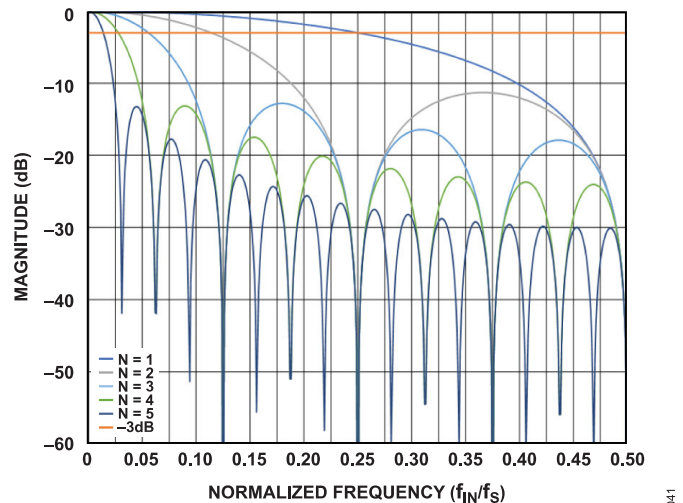


Figure 39. Frequency Response Examples for the Block Averaging Filter

#### Digital Offset Adjust

Each ADC channel can be independently programmed to add a 24-bit signed offset value to the sample data (see the [Register Details](#) section). When adding an offset to the samples, it is possible to cause the sample data to saturate numerically. Take this into account when using the offset feature. The default value is 0x000000. See the [Channel 0 Offset Registers](#) section or [Channel 1 Offset Registers](#) section in the AD4630-24 register map for more details.

#### Digital Gain

Each ADC channel can be independently programmed to apply a 16-bit unsigned digital gain (CHx\_USER\_GAIN) to the digital samples (see the [Register Details](#) section). The gain is applied to each sample based on the following equation:

$$\text{Code}_{\text{OUT}} = \text{Code}_{\text{IN}} \times (\text{CHx\_USER\_GAIN}/0\text{x}8000)$$

where:  $0\text{x}0000 \leq \text{CHx\_USER\_GAIN} \leq 0\text{x}\text{FFFF}$ .

The effective gain range is 0 to 1.99997. Note that applying gain to the samples can cause numerical saturation. The default value is 0x8000 (gain = 1). To measure input voltage differences exceeding ( $\pm V_{REF}$ ), set the gain below unity to avoid the numerical saturation of the 24-bit/16-bit/30-bit output differential codes. See the [Channel 0 Gain Registers](#) section or [Channel 1 Gain Registers](#) section in the AD4630-24 register map for more details.

#### Test Pattern

To facilitate functional testing and debugging of the SPI, the host controller can write a 32-bit test pattern to the AD4630-24 (see the

**THEORY OF OPERATION**

Test Pattern Registers section). The value written to the test pattern registers applies to both ADC channels, and is output using the normal sample cycle timing on each channel. The 32-bit test pattern output mode is enabled by writing 0x4 to the OUT\_DATA\_MD bit field of the modes register (see the Modes Register section). The default value stored in the test pattern registers is 0x5A5A0F0F.

**Summary of Selectable Output Data Formats**

Figure 40 summarizes the output data formats that are available on the AD4630-24, which are selected in the modes register (see the Modes Register section). Note that the selected mode is applied to both channels. The OR and SYNC flags are each 1 bit.

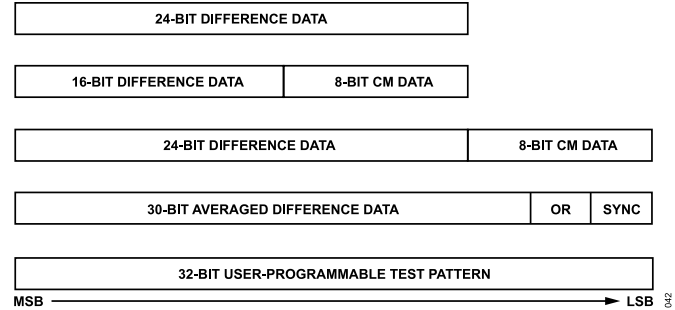


Figure 40. Summary of Selectable Output Sample Formats

APPLICATIONS INFORMATION

TYPICAL APPLICATION DIAGRAMS

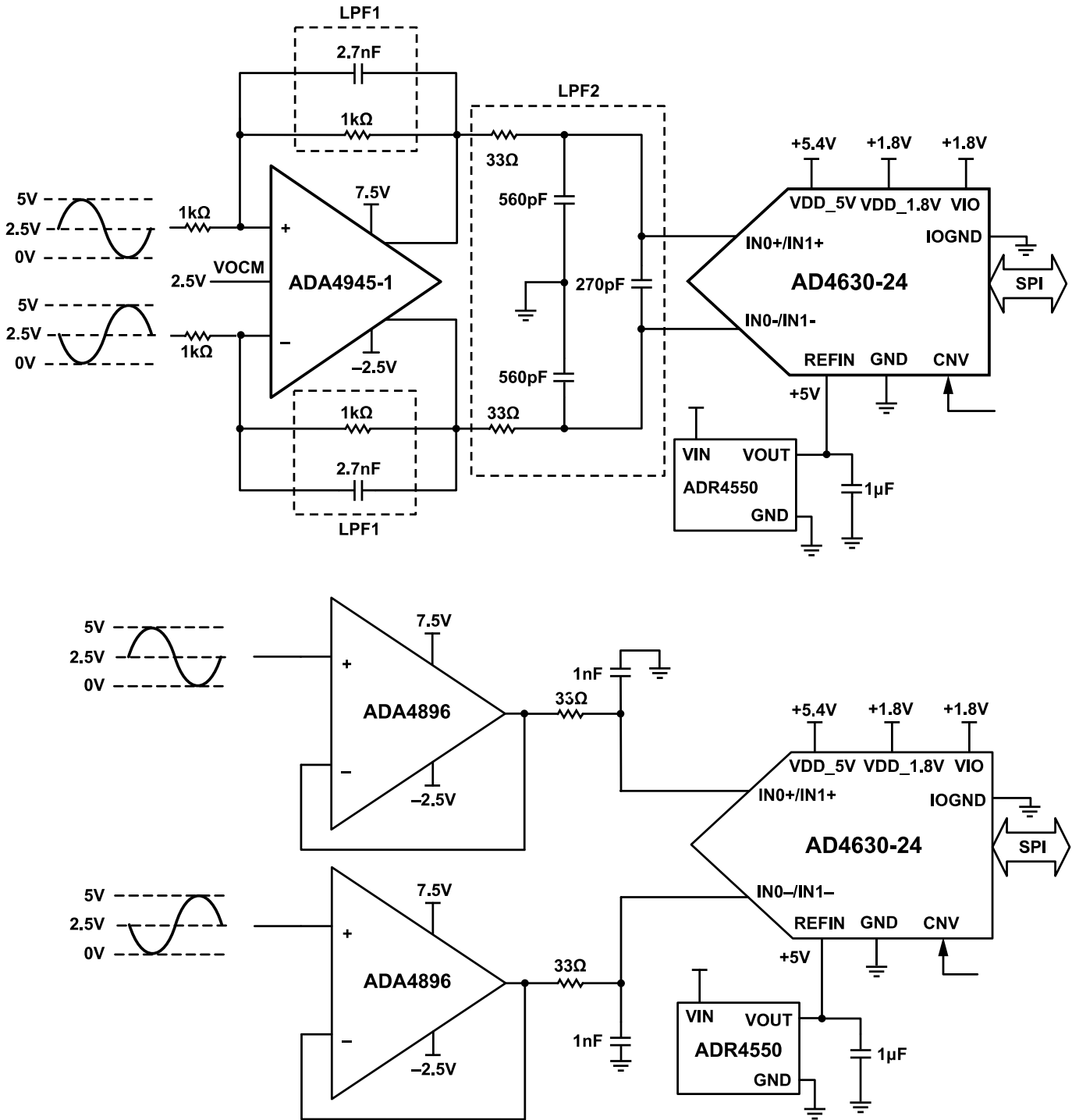


Figure 41. Typical Application Circuit Diagrams

## APPLICATIONS INFORMATION

## ANALOG FRONT-END DESIGN

## Driver Amplifier Choice

Figure 41 shows two examples for driving the AD4630-24. Either amplifier can be combined with an upstream stage that provides additional signal conditioning. Both amplifiers can accommodate single-ended or differential inputs. To take advantage of the excellent SNR and THD performance of the AD4630-24, choose a driver amplifier that has low noise and THD sufficient to meet the application requirements. In addition to the amplifiers shown in Figure 41, the LTC6227 is another driver option. Analog Devices, Inc., offers several companion driver amplifiers that can be found on the [ADC drivers](#) web page.

## REFERENCE CIRCUITRY DESIGN

The AD4630-24 requires an external reference to define its input range. This reference must be 4.096 V to 5 V. A good choice for the reference is the [ADR4550](#) or [ADR4540](#). The ADC has several features that reduce the charge pulled from the reference, making the AD4630-24 easier to use than other ADCs. For most applications, the reference can drive the REFIN pin, which has an internal precision buffer that isolates the reference from the ADC circuitry. The buffer has a high input impedance and small input current (5 nA typical) that allows multiple ADCs to share a common reference. An RC circuit between the reference and REFIN can be used to filter reference noise (see Figure 42). The suggested values are  $100\ \Omega < R < 1\ \text{k}\Omega$ , and  $C \geq 10\ \mu\text{F}$ .

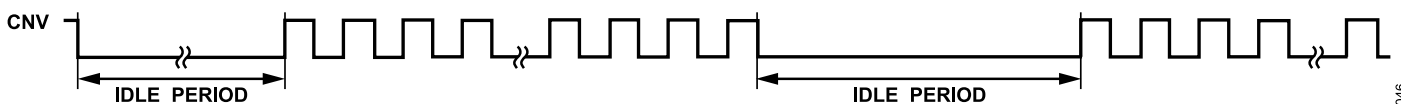


Figure 42. Reference with Noise Filter

For the best possible gain error, the internal buffer can be disabled ( $\text{REFIN} = 0\ \text{V}$ ) and an external reference used to drive the REF pin. The current drawn by the REF pin is small ( $< 2\ \mu\text{A}$ ) and depends on the sample rate and output code (see Figure 29). An internal  $2\ \mu\text{F}$  capacitor on the REF pin provides optimal reference bypassing and simplifies PCB design by reducing component count and layout sensitivity.

In applications where a burst of samples is taken after idling for long periods, as shown in Figure 43, the reference current ( $I_{\text{REF}}$ ) quickly goes from approximately  $0\ \mu\text{A}$  to a maximum of  $1.8\ \mu\text{A}$  at 2 MSPS. This step in dc current draw triggers a transient response in the reference that must be considered since any deviation in the reference output voltage affects the accuracy of the output code. If the reference is driving the REFIN pin, the internal buffer is able to handle these transitions exceptionally well (see Figure 27). When the REF pin is being driven with no external buffer, and the transient response of the reference is important, the fast settling [LTC6655LN-5](#) reference is recommended.

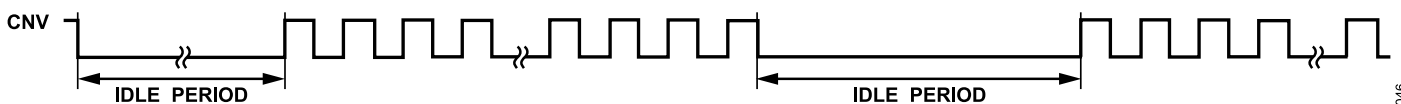


Figure 43. CNV Waveform Showing Burst Sampling



## APPLICATIONS INFORMATION

### DEVICE RESET

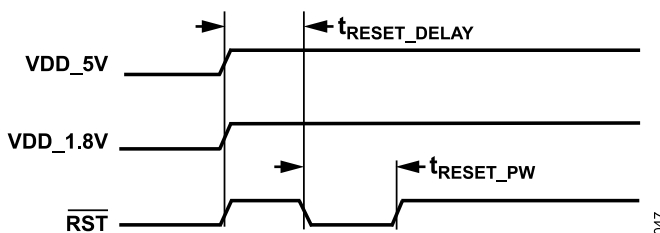
The AD4630-24 provides two options for performing a device reset using the serial interface. A hardware reset is initiated by pulsing the voltage on the  $\overline{\text{RST}}$  pin low. A software reset is initiated by setting both the SW\_RESET and SW\_RESETX bits in the Interface Configuration A register to 1 in the same write instruction (see the [Interface Configuration A Register](#) section).

Performing a hardware or software reset asserts the RESET\_OCCURRED bit in the digital diagnostics register (see the [Digital Diagnostics Register](#) section). The RESET\_OCCURRED bit is cleared by writing it with a 1. RESET\_OCCURRED can be used by the digital host to confirm the AD4630-24 executed a device reset.

The AD4630-24 is designed to generate a power-on reset (POR) when VDD\_5V and VDD\_1.8V are first applied. A POR resets the state of the user configuration registers and asserts the RESET\_OCCURRED bit. If VDD\_5V or VDD\_1.8V drops below its specified operating range, a POR occurs. Perform a hardware or software reset after a POR.

[Figure 44](#) shows the timing diagram for performing a device reset using the RST input. The minimum RST pulse width is 50 ns, represented by  $t_{\text{RESETPW}}$  in [Figure 44](#) and [Table 1](#). Perform a reset no sooner than 3 ms after the power supplies are valid and stable (this delay is represented by  $t_{\text{RESET\_DELAY}}$  in [Figure 44](#) and [Table 1](#)).

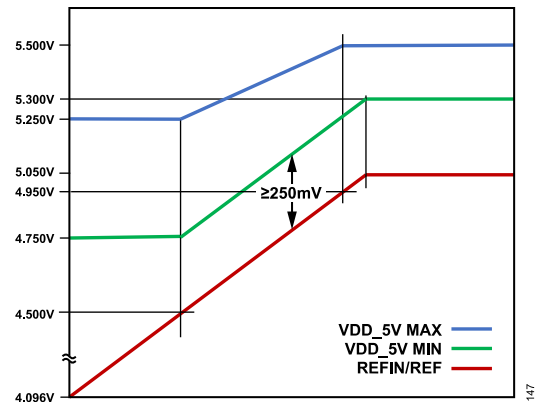
After a hardware or software reset, no SPI commands or conversions can be started for 750  $\mu\text{s}$ .



**Figure 44. Power-On Reset (POR) Timing**

### POWER SUPPLIES

The AD4630-24 does not have any specific power supply sequencing requirements. Take care to adhere to the maximum voltage relationships described in the [Absolute Maximum Ratings](#) section. The voltage range for the VDD\_5V supply depends on the chosen reference voltage (see the internal reference buffer parameter or externally overdriven reference parameter in [Table 1](#)). [Figure 45](#) shows the minimum and maximum values for VDD\_5V with respect to REFIN and REF. VDD\_5V voltage values above the maximum or below the minimum result in either damage to the device or degraded performance.



**Figure 45. VDD\_5V Minimum and Maximum Values for REFIN/REF**

The AD4630-24 has a POR circuit that resets the AD4630-24 at initial power-up or whenever VDD\_5V or VDD\_1.8V drops below its specified operating range.

Note that the VDD\_5V and the VDD\_1.8V supplies have internal 1  $\mu\text{F}$  bypass capacitors inside the package, whereas VIO has an internal 0.2  $\mu\text{F}$  bypass capacitor. These internal capacitors reduce the bill of materials (BOM) count and solution size. If the bulk supply bypass capacitors are not close to the ADC, external capacitors can be added next to the ADC. The minimum rise time for all supplies is 100  $\mu\text{s}$ .

### Power Consumption States

During a conversion, the power consumption rate of the AD4630-24 is at its highest. When the conversion completes, the AD4630-24 enters a standby state and much of the internal circuitry is powered down, and current consumption drops to less than 20% relative to the conversion state. To ensure full accuracy, some circuitry, including the reference buffer, remains powered on during the standby state.

The device can be placed into a lower power shutdown state during periods when the convert clock is idle by writing 0x3 to the OPERATING\_MODES bit field of the device configuration register (see the [Device Configuration Register](#) section). The default value of this bit field is 00 for normal operating mode. In the shutdown state, the current consumption typically drops to less than 10  $\mu\text{A}$ .

### Shutdown Mode

When the user enters shutdown mode, the internal reference buffer is disabled and a 500  $\Omega$  switch connects REFIN to REF (unless REFIN is grounded and REF is externally driven). This functionality keeps the 2  $\mu\text{F}$  capacitor on REF charged up to allow fast recovery when the user leaves shutdown mode. Because of this keep alive switch, some charge is injected to REFIN when the user enters shutdown mode (400 pC) and leaves shutdown mode (5 pC). When leaving shutdown mode, REF is accurate after 30  $\mu\text{s}$ .

## SERIAL INTERFACE

The AD4630-24 supports a multilane SPI for each channel, with a common bit clock (SCK). The flexible VIO supply allows the AD4630-24 to communicate with any digital logic operating between 1.2 V and 1.8 V. However, for VIO levels below 1.4 V, the IO2X bit in the output driver register must be set to 1 (see the [Output Driver Register](#) section). The serial output data is clocked out on up to 4 SDO lanes per channel (see [Figure 46](#)). An echo clock mode that is synchronous with the output data is available to ease timing requirements when using isolation on the digital interface. A master clock mode is also available and uses an internal oscillator to clock out the data bits. The [SPI Signals](#) section describes the operation of the AD4630-24 SPI.

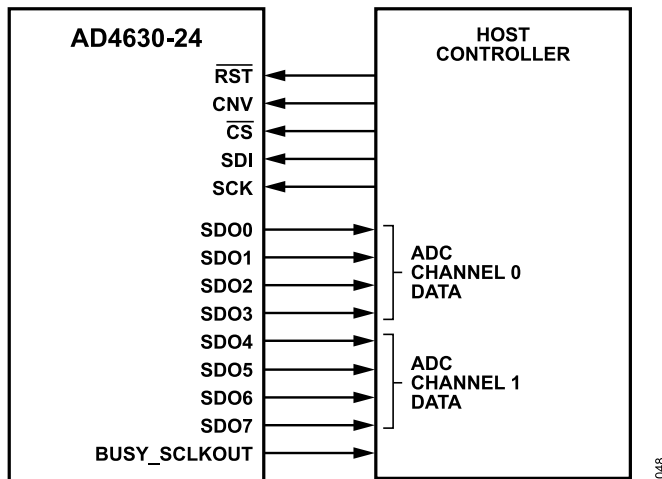


Figure 46. AD4630-24 Multilane SPI

### SPI SIGNALS

The SPI is a multilane interface that is used to both configure the ADC as well as retrieve sampled data. The SPI consists of the following signals:

- ▶  $\overline{CS}$  (input). Chip select.  $\overline{CS}$  must be set low to initiate/enable a data transfer to or from the SDI and SDOx pins of the ADC.  $\overline{CS}$  timing for reading sample data can be moderated by observing the state of the BUSY pin. For echo clock mode and master clock mode,  $\overline{CS}$  timing must be controlled by the host processor because the BUSY pin is used as the bit clock output for these clocking modes.
- ▶ SDI (input). Serial data input stream from the host controller to ADC. SDI is only used when writing data into one of the user registers of the AD4630-24.
- ▶ CNV (input). The CNV signal is sourced by the host controller and initiates a sample conversion. The frequency of the CNV signal determines the sampling rate of the AD4630-24. The maximum frequency of the CNV clock is 2 MSPS.
- ▶ SCK (input). Serial data clock sourced by the host controller. The maximum supported SCK rate for output data transfer is 100 MHz. For register reads and writes, the maximum SCK rate is 86 MHz for VIO > 1.71 V, and 81 MHz for 1.14 V ≤ VIO < 1.71 V.

- ▶ SDO0 through SDO7 (outputs). Data lanes to the host controller. Lanes SDO0 to SDO3 are allocated to ADC Channel 0, whereas lanes SDO4 to SDO7 are allocated to ADC Channel 1. The number of data lanes configured for each channel can be either 1, 2, or 4 lanes (see the output data modes in the [Table 14](#) section). The number of data lanes is configured in the modes register. Note that the selected number of data lanes is applied to both ADC channels. The channels cannot be independently configured.
- ▶ BUSY\_SCKOUT (output). The behavior of the BUSY\_SCKOUT pin is dependent on selected clocking mode. [Table 13](#) defines its behavior for each clocking mode.

Table 13. BUSY\_SCKOUT Pin Behavior vs. Clocking Mode

| Clocking Mode     | Behavior   |
|-------------------|--|
| SPI Clocking Mode | Valid BUSY signal for the ADC conversion status. BUSY goes high when a conversion is triggered by the CNV signal. BUSY goes low when the conversion completes. |
| Echo Clock Mode   | Bit clock. BUSY_SCKOUT is a delayed version of SCK input.  |
| Master Clock Mode | Bit clock. BUSY_SCKOUT sources the clock from the internal oscillator.   |

### Register Access Mode

The AD4630-24 offers programmable user registers to configure the device as outlined in the [Registers](#) section. By default, at power-up, the device is in conversion mode. Therefore, to access the user registers, a special access command must be sent by the host controller over the SPI, as shown in [Figure 5](#). When this register access command is sent over the SPI, the device enters the register configuration mode. To read back the values from one of the user registers listed in the [Registers](#) section, the host controller must send the pattern shown in [Figure 4](#). To write to one of the user registers, the host controller must send the pattern shown in [Figure 3](#). In either case (read/write), the host controller must always issue 24 clock pulses on the SCK line and pull  $\overline{CS}$  low for the entire transaction.

After writing to or reading from the appropriate user registers, the host controller must exit the register configuration mode by writing 0x01 to Register Address 0x0014 as detailed in the exit configuration mode register. An algorithm for register read/write access is as follows:

1. Perform a readback from dummy Register Address 0x3FFF to enter the register configuration mode.
2. Readback from or write to the desired user register addresses.
3. Exit the register configuration mode by writing 0x01 to Register Address 0x0014. Exiting register configuration mode causes the register updates to take effect.

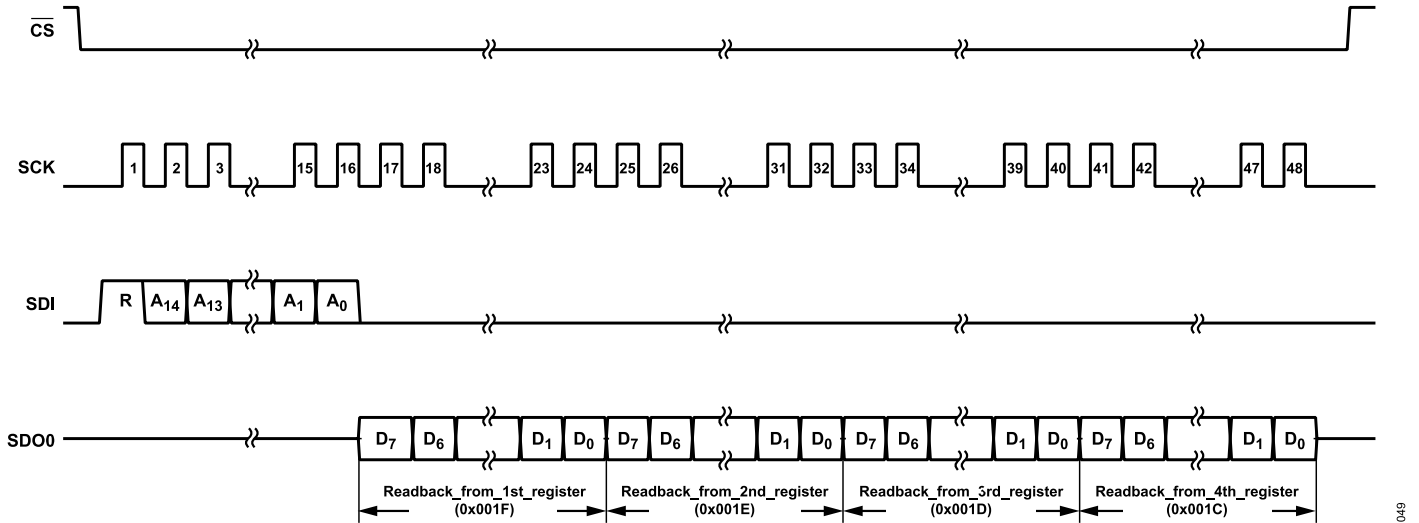
### Stream Mode

The AD4630-24 also offers a way to perform bulk register read/write transactions while the AD4630-24 is in register configuration mode.

**SERIAL INTERFACE**

To perform bulk read/write registers transactions, keep  $\overline{CS}$  low and issue SCK pulses in multiples of 8 because each register is only one byte (8 bits) wide. In stream mode, only address decrementing is allowed, meaning that the user can read back from or write to the initial register address and register addresses that are directly below the initial register address. Apply register accesses in stream mode to register blocks with contiguous addresses. However, it is possible to address registers that are not present in the register

map. To do so, write all zeros to these registers, or, when reading back, discard the contents read from these registers because it is random data. See the [Registers](#) section to see which register address is valid and continuous. For example, to read back a 24-bit offset value in one shot, the user must issue 24 SCK pulses starting from Register Address 0x0018. [Figure 47](#) shows the timing diagram for a bulk read starting at a given address.



**Figure 47. Stream Mode Bulk Register Read Back Operation**

**SERIAL INTERFACE**

**SAMPLE CONVERSION TIMING AND DATA TRANSFER**

A conversion starts on the rising edge of the CNV signal, as shown in Figure 48. Once the conversion completes,  $\overline{CS}$  can be asserted, which causes the current conversion result to load into the output shift register.

Referring to Figure 48, there are two optional data transfer zones for Sample N. Zone 1 represents the use case where  $\overline{CS}$  is asserted immediately following the de-assertion of the BUSY signal for the Sample N conversion (in SPI conversion mode), or after 300 ns for echo and master clock modes. For Zone 1, the available time to read out Sample N is given by:

Zone 1 data read window

$$= t_{CYC} - t_{CONV} - t_{QUIET\_CNV\_ADV}$$

For example, if  $F_{CNV}$  is 2 MSPS ( $t_{CYC} = 500$  ns) and the typical value of  $t_{CONV}$  (282 ns) is used, the available window width is 198.4 ns (= 500 ns - 282 ns - 19.6 ns).

Zone 2 represents the case where an assertion of  $\overline{CS}$  to read Sample N is delayed until after the conversion for Sample N+1 initiates.

To prevent data corruption, a quiet zone must be observed before and after each rising edge of the CNV signal, as shown in Figure 48. The quiet zone immediately before the rising edge of CNV is labeled as  $t_{QUIET\_CNV\_ADV}$ , and is equal to 19.6 ns. The quiet zone immediately after the rising edge of CNV is labeled  $t_{QUIET\_CNV\_DELAY}$ , and is equal to 9.8 ns. Assuming that the  $\overline{CS}$  asserts immediately after the quiet zone around the rising edge of CNV, the amount of time available to clock out the data is:

Zone 2 data read window

$$= t_{CYC} - t_{QUIET\_CNV\_DELAY} - t_{QUIET\_CNV\_ADV}$$

For example, if  $F_{CNV}$  is 2 MSPS ( $t_{CYC} = 500$  ns) and the typical value of  $t_{CONV}$  (282 ns) is used, the available window width is 470.6 ns (= 500 ns - 9.8 ns - 19.6 ns). The Zone 2 transfer window is longer than the Zone 1 window, which can enable the use of a slower SCK on the SPI and ease the timing requirements for the interface. When using Zone 2 for the data transfer, assert  $\overline{CS}$  immediately after the quiet zone.  $\overline{CS}$  must be asserted at least 25 ns before the falling edge of BUSY for Sample N+1. If not, Sample N is overwritten with Sample N+1.

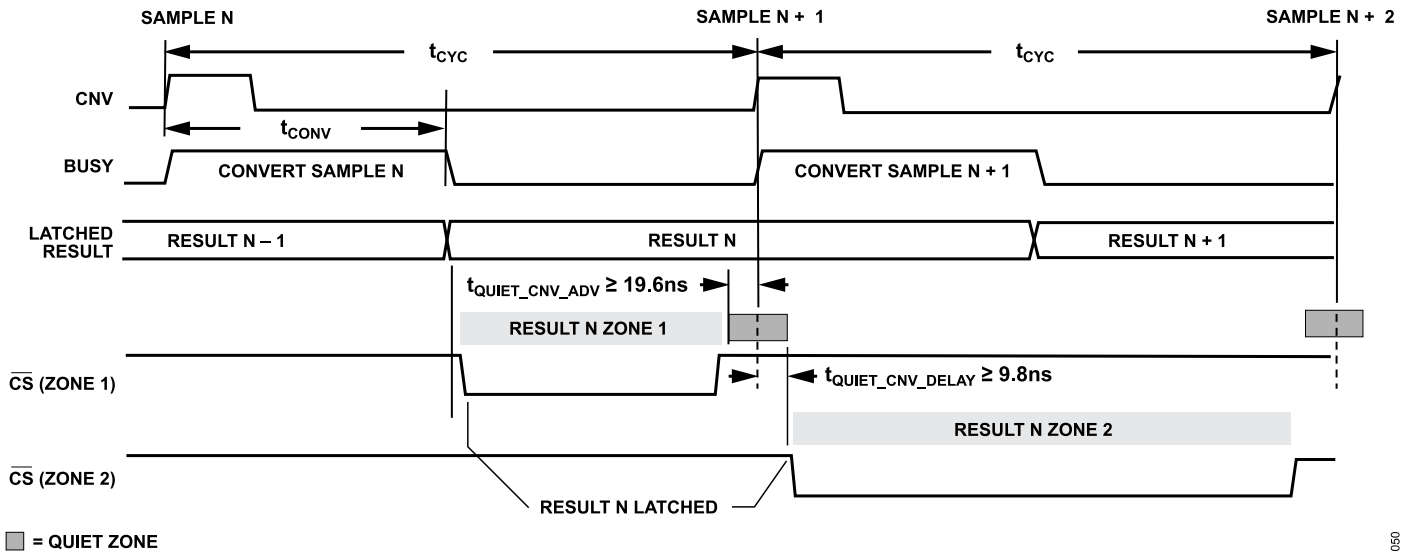


Figure 48. Example Timing for Data Transfer Zones

## SERIAL INTERFACE

### CLOCKING MODES

This section covers the various clocking modes supported by the AD4630-24 SPI. These modes are available for 1-lane, 2-lane, 4-lane, and interleaved configurations. The clocking mode is configured in the modes register (see [Table 16](#) for register descriptions). Note that the selected clocking mode applies to both ADC channels. The channels cannot be independently configured.

### SPI Clocking Mode

SPI clocking mode is the default clocking mode of the AD4630-24 and is equivalent to a host sourced bit clock (SCK), in which the host controller uses its own clock to latch the output data. The SPI

compatible clocking mode is enabled by writing 0x0 to the CLK\_MD bit field of the modes register (see the [Modes Register](#) section). The interface connection is as shown in [Figure 46](#). In this mode, the BUSY signal is valid and indicates the completion of a conversion (high to low transition of BUSY). A simplified sample cycle is shown in [Figure 49](#). When not in averaging mode, if the host controller does not use the BUSY signal to detect the completion of a conversion, and instead uses an internal timer to retrieve the data, the host controller must wait at least 300 ns after the rising edge of the CNV pulse before asserting  $\overline{CS}$  low. When operating in block averaging mode, the host controller must assert  $\overline{CS}$  low no sooner than 300 ns after the rising edge of the CNV pulse for the last sample in the block.

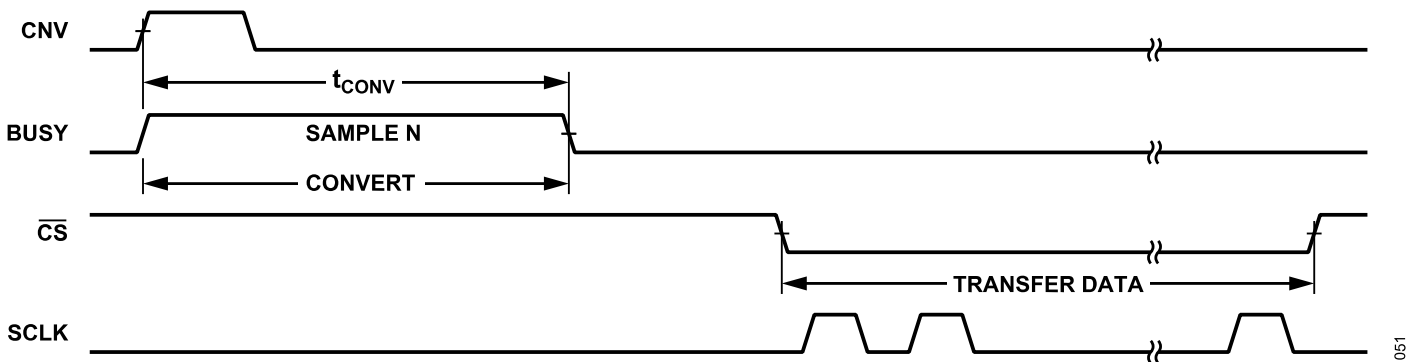


Figure 49. Typical Sample Cycle for SPI Clocking Mode

051

## SERIAL INTERFACE

## Echo Clock Mode

Figure 50 shows the signal connections for the echo clock mode. The echo clock mode is enabled by writing 0x1 to the CLK\_MD bit field of the modes register (see the [Modes Register](#) section). In this mode, the BUSY\_SCKOUT pin cannot be used to detect a conversion completion. The BUSY\_SCKOUT pin becomes a bit clock output and is sourced by looping through the SCK of the host controller to the BUSY\_SCKOUT pin (with some fixed delay, 5.4 ns to 7.9 ns, depending on VIO). To begin retrieving the conversion data in nonaveraging mode, the host controller must assert  $\overline{CS}$  low no sooner than 300 ns after the rising edge of the CNV pulse. When the ADC is configured for block averaging mode, the host controller must assert  $\overline{CS}$  low no sooner than 300 ns after the rising edge of the CNV pulse for the last sample in the block. Example timing diagrams are shown in the [Data Clocking Requirements and Timing](#) section. When echo clock mode is enabled, SCKOUT is aligned with SDOx transitions, making the data and clock timing insensitive to asymmetric propagation delays in the SDO and SCK paths.

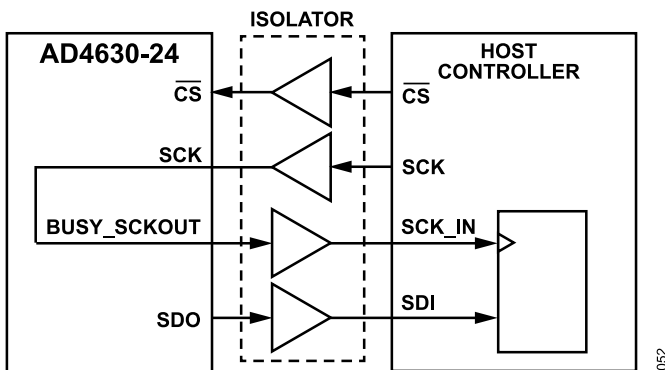


Figure 50. Echo Clock Mode Signal Path Diagram

## Master Clock Mode

When enabled, master clock mode uses the internal oscillator as the bit clock source. The master clock mode is enabled by writing 0x2 to the CLK\_MD bit field of the modes register. The bit clock frequency can be programmed in the OSC\_DIV bit field in the internal oscillator register, with available divisor values of 1, 2, or 4 (see the [Internal Oscillator Register](#) section). Figure 51 shows the signal connections for the master clock mode. In this mode, the BUSY\_SCKOUT pin provides the bit clock output and cannot be used to detect a conversion completion. The AD4630-24 automatically calculates the number of clock pulses required to clock out the conversion data based on word size, number of active lanes, and choice of single data rate or DDR mode. The number of clock pulses can be read from the OSC\_LIMIT bit field of the internal oscillator register. The SCK from the host must not be active. When retrieving the conversion data in nonaveraging mode, the host must not assert  $\overline{CS}$  low sooner than 300 ns after the rising edge of the CNV pulse. When the ADC is configured in averaging mode for  $2^N$

averages, the host must not assert  $\overline{CS}$  low sooner than 300 ns after the rising edge of CNV pulse for the last sample in the block.

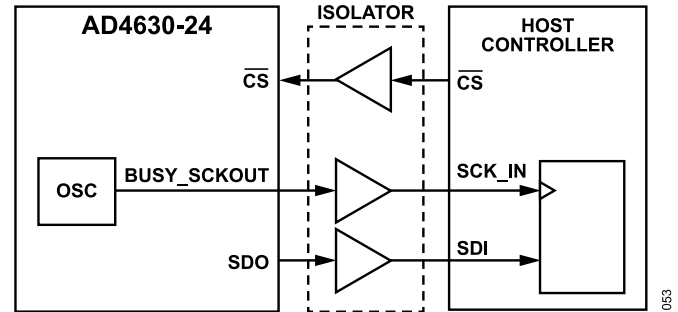


Figure 51. Master Clock Mode Signal Path Example

## Single Data Rate

Single data rate clocking (SDR) in which one bit (per active lane) is clocked out during a single clock cycle, is supported for all output configurations and sample formats (see [Table 14](#)). The SDR clocking mode is enabled by default at power-up or can be enabled by writing 0 to the DDR\_MD bit of the modes register (see the [Modes Register](#) section).

## Dual Data Rate

DDR mode (two data bit transitions per clock cycle per active lane) is available only for master clock mode and echo clock mode.

Note that the selected data rate mode is applied to both ADC channels. DDR clocking mode is enabled by writing 1 to the DDR\_MD bit of the modes register (see the [Modes Register](#) section). DDR mode uses half the number of SCK pulses to clock out conversion data in comparison to SDR mode.

## 1-Lane Output Data Clocking Mode

1-lane output data clocking mode is the default output data clocking mode at power-up. 1-lane output data clocking mode is enabled by writing 0x0 to the LANE\_MD bit of the modes register (see the [Modes Register](#) section). The active lane for ADC Channel 0 is SDO0. The active lane for ADC Channel 1 is SDO4. Example timing diagrams for 1-lane output data clocking mode using SPI clocking mode, echo clock mode, and master clock mode are shown in the [Data Clocking Requirements and Timing](#) section.

## 2-Lane Output Data Clocking Mode

When 2-lane output data clocking mode is enabled, the sample word bits are split between two SDO lanes. Figure 54 shows how the bits are allocated between the lanes for 2-lane output data clocking mode. The bit arrangement is the same for SPI clocking mode, echo clock mode, and master clock mode. 2-lane output data clocking mode is enabled by writing 0x1 to the LANE\_MD bit of the modes register (see the [Modes Register](#) section). The host controller must recombine the data coming from the SDO lanes to

## SERIAL INTERFACE

reconstruct the original sample word. The number of SCK pulses required to clock out the conversion data is reduced by one half with respect to 1-lane output data clocking mode. [Table 14](#) lists the active SDO lanes for 2-lane output data clocking mode. Example timing diagrams for 2-lane output data clocking mode using SPI clocking mode, echo clock mode, and master clock mode are shown in the [Data Clocking Requirements and Timing](#) section.

### 4-Lane Output Data Clocking Mode

When 4-lane output data clocking mode is enabled, the sample word bits are split between four SDO lanes. [Figure 55](#) shows how the bits are allocated between the lanes for 4-lane mode. The bit arrangement is the same for SPI clocking mode, echo clock mode, and master clock mode. 4-lane output data clocking mode is enabled by writing 0x2 to the LANE\_MD bit of the modes register (see the [Modes Register](#) section). The host controller must recombine the data coming from the SDO lanes to reconstruct the original sample word. The number of SCK pulses required to clock out the conversion data is reduced by one fourth with respect to 1-lane output data clocking mode. The active SDO lanes for 4-lane output data clocking mode are shown in [Table 14](#). Example timing diagrams for 4-lane output data clocking mode using SPI clocking mode, echo clock mode, and master clock mode are shown in the [Data Clocking Requirements and Timing](#) section.

### Interleaved Lane Output Data Clocking Mode

In interleaved lane output data clocking mode, the Channel 0 and Channel 1 conversion data is interleaved on SDO0. The bit arrangement is shown in [Figure 56](#). The bit arrangement is the same for SPI clocking mode, echo clock mode, and master clock mode. Interleaved lane output data clocking mode is enabled by writing 0x3 to the LANE\_MD bit of the modes register (see the [Modes Register](#) section). The host controller must de-multiplex the data on SDO0 to reconstruct the original sample words. The number of SCK pulses required to clock out the conversion data is increased by 2× with respect to 1-lane output data clocking mode. The data transfer can occur in either Zone 1 or Zone 2 (see [Figure 48](#)). Using the interleaved lane output data clocking mode allows the host controller to use a single SDO lane to retrieve data from both ADC channels, reducing I/O requirements for the digital interface. Examples of interleaved lane mode timing are shown in the [Data Clocking Requirements and Timing](#) section.

### Data Output Modes Summary

[Table 14](#) is a summary of the supported data output modes of the AD4630-24.

**Table 14. AD4630-24 Supported Data Output Modes**

| Number of Lanes (per Channel) | Active SDO Lanes       |                        | Clock Mode            | Supported Data Clocking Mode           | Output Sample Data-Word Length   |
|-------------------------------|------------------------|------------------------|-----------------------|--|----------------------------------|
|                               | Channel 0              | Channel 1              |                       |  |                                  |
| 1                             | SDO0                   | SDO4                   | SPI<br>Echo<br>Master | SDR only<br>SDR and DDR<br>SDR and DDR | 24 or 32<br>24 or 32<br>24 or 32 |
| 2                             | SDO0, SDO1             | SDO4, SDO5             | SPI<br>Echo<br>Master | SDR only<br>SDR and DDR<br>SDR and DDR | 24 or 32<br>24 or 32<br>24 or 32 |
| 4                             | SDO0, SDO1, SDO2, SDO3 | SDO4, SDO5, SDO6, SDO7 | SPI<br>Echo<br>Master | SDR only<br>SDR and DDR<br>SDR and DDR | 24 or 32<br>24 or 32<br>24 or 32 |
| Interleaved                   | SDO0                   |                        | SPI<br>Echo<br>Master | SDR only<br>SDR and DDR<br>SDR and DDR | 48 or 64<br>48 or 64<br>48 or 64 |

SERIAL INTERFACE

DATA CLOCKING REQUIREMENTS AND TIMING

Basic and Averaging Conversion Cycles

Figure 52 illustrates the basic conversion cycle for a single sample. This cycle applies to SPI clocking mode. When echo clock mode and master clock modes are used, the BUSY function is disabled and the bit clock is sourced on the BUSY pin. The data transfer must meet the requirements described in the Sample Conversion Timing and Data Transfer section.

Table 15 contains the minimum and maximum values for the conversion timing parameters, which apply to all clocking modes.

Table 15. Conversion Cycle Timing Parameters

| Parameter           | Min (ns) | Max                 |
|---------------------|----------|---------------------|
| t <sub>CNV_HI</sub> | 10       | No specific maximum |
| t <sub>CNV_LO</sub> | 20       | No specific maximum |
| t <sub>CNV</sub>    | 264      | 300 ns              |

The duration of the data transfer period is dependent on the sample resolution, number of active lanes, SCK frequency, and data clocking mode (SDR or DDR). The nominal value of the transfer duration is given by:

Data transfer duration

$$= t_{TRANS} = \frac{N_{BITS}}{M_{LANES}} \times \frac{1}{f_{SCK}} \times \frac{1}{K} \text{ seconds}$$

where:

N<sub>BITS</sub> = number of bits to clock out.

M<sub>LANES</sub> = number of lanes used to clock out the data (1, 2, or 4).

f<sub>SCK</sub> = SCK clock frequency in Hz.

K = 1 (SDR only, DDR not available for SPI clocking mode).

For a given f<sub>SCK</sub>, number of data lanes, sample word size, and SDR or DDR mode, the minimum sample period when using Zone 1 for the data transfer is as follows:

Minimum Zone 1 sample period:

$$t_{CYC} \geq \left( \frac{N_{BITS}}{M_{LANES} \times f_{SCK} \times K} \right) + t_{CONV} + t_{QUIET\_CNV\_ADV}$$

The minimum sample period when using Zone 2 for data transfer is as follows:

$$t_{CYC} \geq \left( \frac{N_{BITS}}{M_{LANES} \times f_{SCK} \times K} \right) + t_{QUIET\_CNV\_DELAY} + t_{QUIET\_CNV\_ADV}$$

Figure 53 shows a typical conversion cycle when the averaging mode is active and SPI clocking mode is used. The BUSY signal is asserted for a number of CNV clock periods that is equal to the configured number of samples to be averaged. The averaged sample is then available when the BUSY signal is de-asserted. Like nonaveraged mode, if the configured clocking mode is either echo clock or master clock, the BUSY signal is replaced by the output bit clock (SCKOUT). The host controller must manage the timing for asserting CS.

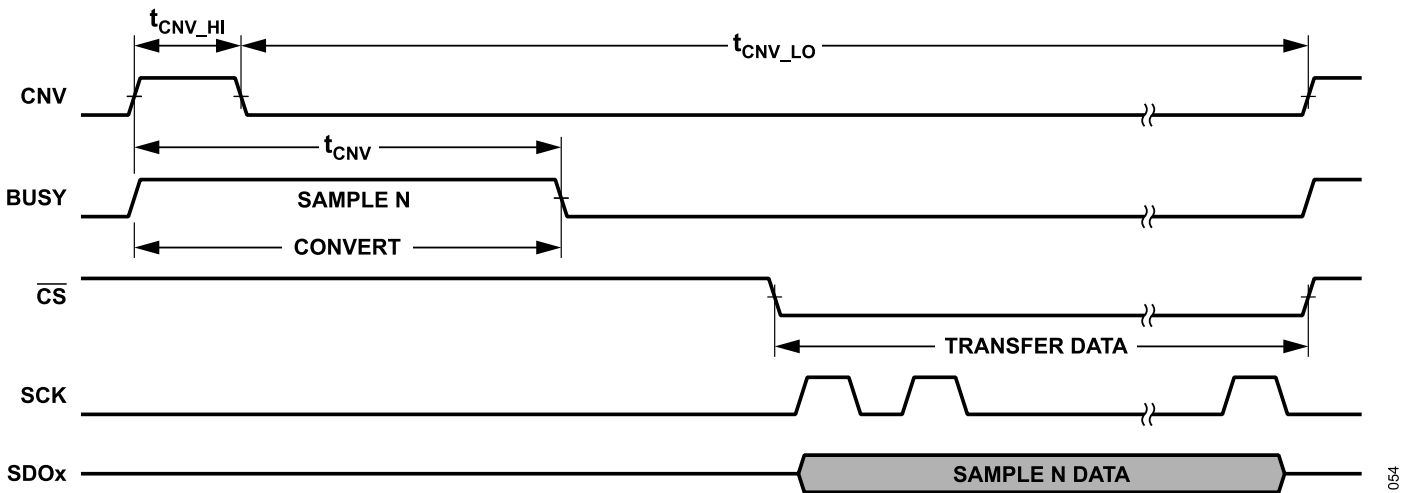


Figure 52. Basic Single Sample Conversion Cycle



**SERIAL INTERFACE**

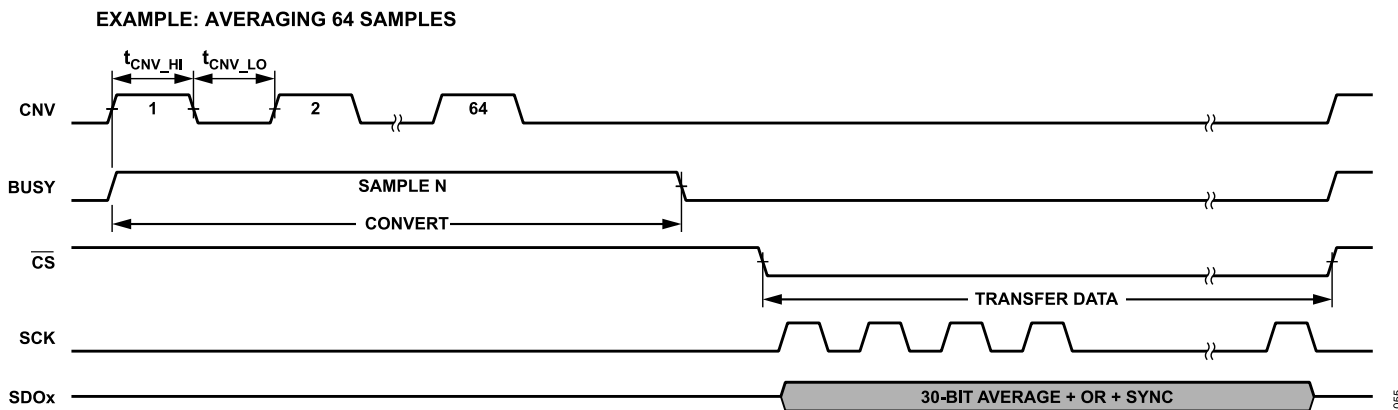


Figure 53. Example Conversion Cycle for Averaging Mode

**SPI Clocking Mode Timing Diagrams**

**1-Lane, SDR Mode**

Figure 6 shows a conversion cycle for 1-lane data output using SDR mode (1 bit per clock cycle). This cycle timing is the same for both ADC channels.

**2-Lane, SDR Mode**

Figure 54 shows a conversion cycle for 2-lane data output using SDR clocking mode. Figure 54 shows the timing for Channel 0, but this diagram also applies to Channel 1. See the [2-Lane Output Data Clcking Mode](#) section for a detailed explanation.

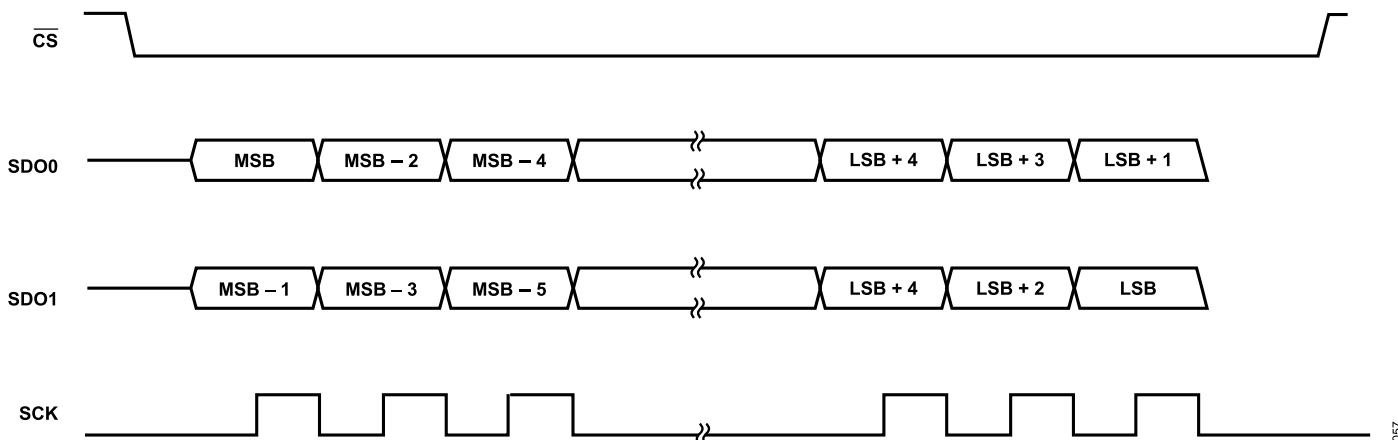


Figure 54. 2-Lane Mode, SDR Timing Diagram

**SERIAL INTERFACE**

**4-Lane, SDR Mode**

Figure 55 shows a conversion cycle for 4-lane data output using SDR clocking mode. Figure 55 shows the timing for Channel 0, but this diagram also applies for Channel 1. See the [4-Lane Output Data Clocking Mode](#) section for a detailed explanation.

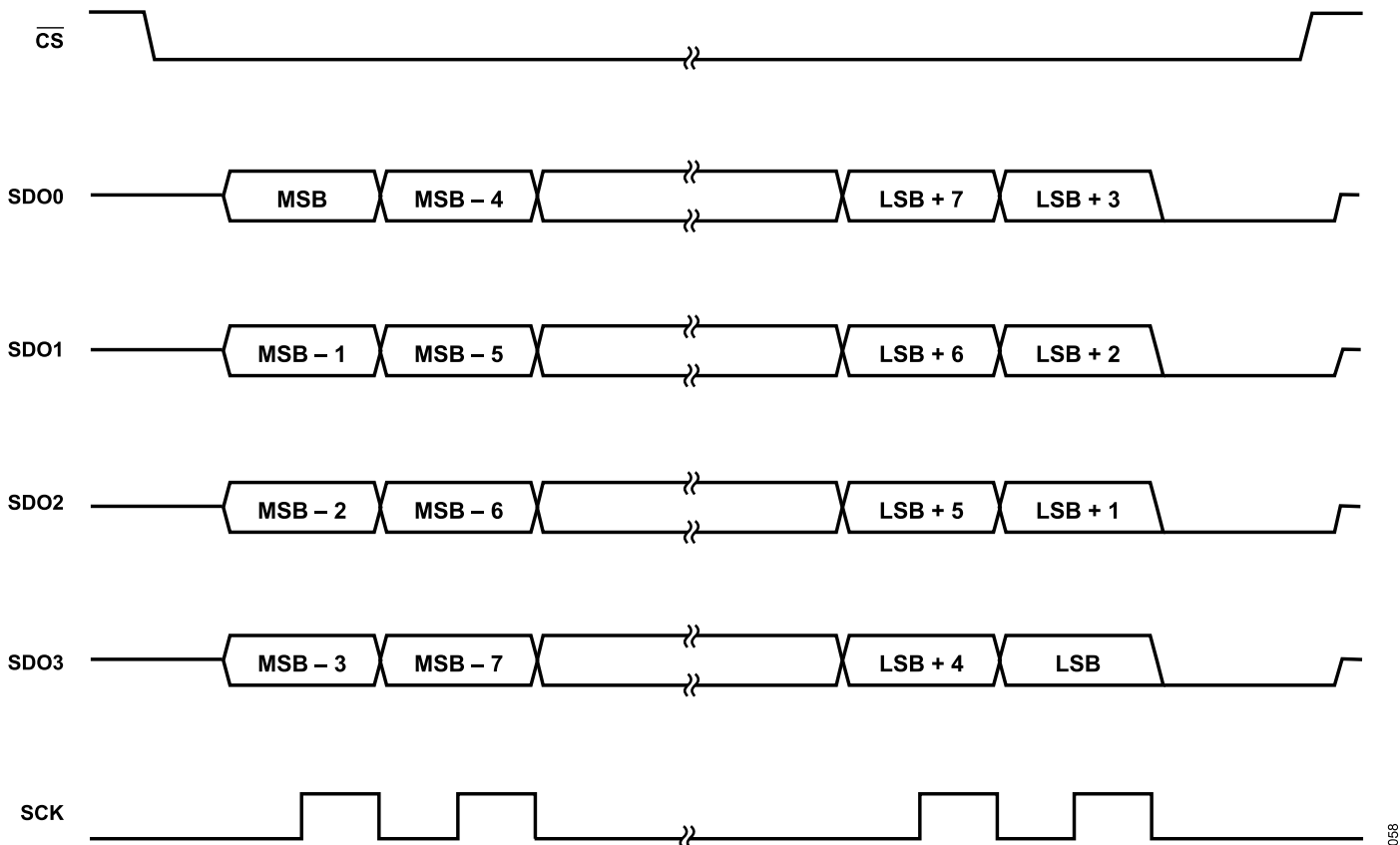


Figure 55. 4-Lane, SDR Timing Diagram

**Interleaved Mode Timing, SDR Mode**

Figure 56 shows a conversion cycle for interleaved data output, SDR clocking mode. See the [Interleaved-Lane Output Data Clocking Mode](#) section for a detailed explanation.

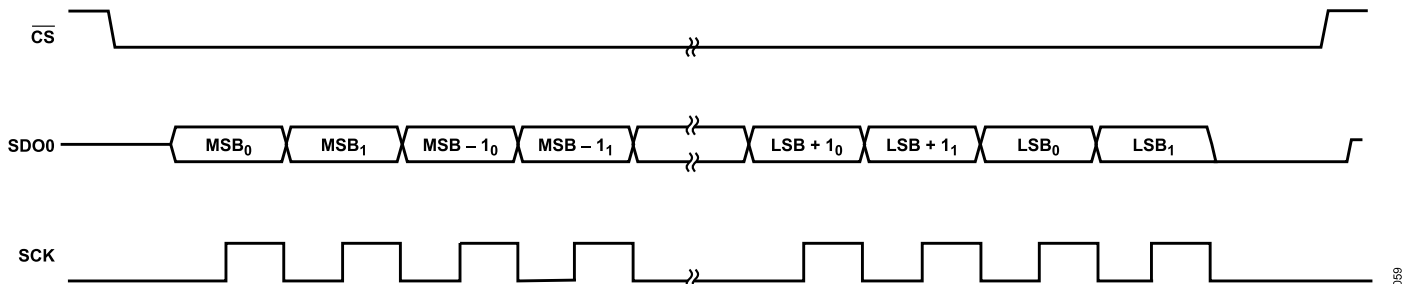


Figure 56. Interleaved Mode, SDR Timing Diagram

## SERIAL INTERFACE

### Echo Clock Timing Diagrams

#### 1-Lane, SDR Mode, Echo Clock Mode

Figure 7 shows the timing relationships for SDR mode (1 bit per SCK period) in 1-lane echo clock mode. The timing relationships between the signals apply to both 24-bit and 32-bit sample word formats.

SCKOUT is a delayed version of the incoming SCK. The delay ( $t_{\text{DSDO}}$ ) has a maximum value of 5.6 ns (at  $V_{\text{IO}} > 1.71$  V). Changes in the SDOx logic states are aligned to the rising edges of SCKOUT. The clock and data edge alignments are the same for 1-lane, 2-lane, and 4-lane output data modes.

#### 1-Lane, DDR Mode, Echo Clock Mode

Figure 8 shows the timing relationships for DDR mode (2-bit transitions per SCKOUT period) in 1-lane echo clock mode. The timing relationships between the signals apply to both 24-bit and 32-bit sample word formats.

Similar to SDR mode, SCKOUT is a delayed version of the incoming SCK. Changes in the SDOx logic states are aligned to both the rising and falling edges of SCKOUT.

### Master Clock Mode Timing

#### 1-Lane, Master Clock Mode, SDR

Figure 9 shows the timing relationships for master clock mode when using SDR mode and 1-lane output data clocking mode. Similar to echo clock mode, the clock rising edges are aligned to the data bit transitions. The frequency of the SCKOUT signal is controlled by the OSC\_DIV value programmed in the internal oscillator register (see the [Internal Oscillator Register](#) section).

#### 1-Lane, Master Clock Mode, DDR

Figure 10 shows the timing relationships for master clock mode when using DDR mode. Similar to echo clock mode, the rising and falling clock edges are aligned to the data bit transitions. The frequency of the SCKOUT signal is controlled by the OSC\_DIV value programmed in the internal oscillator register (see the [Internal Oscillator Register](#) section).

## LAYOUT GUIDELINES

The following layout guidelines are recommended to achieve maximum performance out of the AD4630-24:

- ▶ The AD4630-24 contains internal 1  $\mu\text{F}$  bypass capacitors for VDD\_5V and VDD\_1.8V, while VIO contains an internal 0.2  $\mu\text{F}$  capacitor. Therefore, no external bypass capacitors are required, saving board space and reducing BOM count and layout sensitivity.
- ▶ It is recommended to have all the analog signals to flow in from the left side of the AD4630-24 and all the digital signals to flow in-out from the right side of AD4630-24 because this helps isolate analog signals from digital signals.
- ▶ Use a solid ground plane under the AD4630-24 and connect all the analog ground (GND) pins and digital ground (IOGND) pins to the shared ground plane to avoid the formation of ground loops.
- ▶ Traces routed to either the REFIN pin or REF pins must be isolated/shielded from other signals. Avoid routing signals beneath the reference trace (REFIN or REF). The REF pins are connected to an internal 2  $\mu\text{F}$  capacitor, eliminating the need to place a decoupling capacitor on the output of the external reference buffer. If a noise reduction filter is placed between the output of the reference (or buffer) and the chosen reference input, the filter must be placed as close as possible to the AD4630-24.

## REGISTERS

The AD4630-24 has programmable user registers that are used to configure the device. These registers can be accessed while the AD4630-24 is in register configuration mode. [Table 16](#) details the AD4630-24 user registers and the bit fields in the registers. The [Register Details](#) section details the functions of each of the bit

fields. The access mode specifies whether the register is comprised only of read-only bits (R) or a mix of read-only and read/write bits (R/W). Read-only bits cannot be overwritten by a SPI write transaction, whereas read/write bits can be overwritten.

**Table 16. AD4630-24 Register Summary**

| Reg  | Name               | Bits  | Bit 7                  | Bit 6              | Bit 5                   | Bit 4          | Bit 3                 | Bit 2       | Bit 1               | Bit 0 | Reset | R/W  |     |
|------|--------------------|-------|------------------------|--------------------|-------------------------|----------------|-----------------------|-------------|---------------------|-------|-------|------|-----|
| 0x00 | INTERFACE_CONFIG_A | [7:0] | SW_RESET               | RESERVED           | ADDR_ASC<br>ENSION      | SDO_EN<br>ABLE | RESERVED              |             | SW_RES<br>ETX       |       | 0x10  | R/W  |     |
| 0x01 | INTERFACE_CONFIG_B | [7:0] | SINGLE_INST            | STALLING           | RESERVED                |                | SHORT_INST<br>RUCTION | RESERVED    |                     |       | 0x00  | R/W  |     |
| 0x02 | DEVICE_CONFIG      | [7:0] | RESERVED               |                    |                         |                |                       |             | OPERATING_MO<br>DES |       |       | 0x00 | R/W |
| 0x03 | CHIP_TYPE          | [7:0] | RESERVED [7:4]         |                    |                         |                | CHIP_TYPE             |             |                     |       |       | 0x07 | R   |
| 0x04 | PRODUCT_ID_L       | [7:0] | PRODUCT_ID[7:0]        |                    |                         |                |                       |             |                     |       |       | 0x00 | R   |
| 0x05 | PRODUCT_ID_H       | [7:0] | PRODUCT_ID[15:8]       |                    |                         |                |                       |             |                     |       |       | 0x20 | R   |
| 0x06 | CHIP_GRADE         | [7:0] | GRADE                  |                    |                         |                | DEVICE_REVISION       |             |                     |       |       | 0x01 | R   |
| 0x0A | SCRATCH_PAD        | [7:0] | SCRATCH_VALUE          |                    |                         |                |                       |             |                     |       |       | 0x00 | R/W |
| 0x0B | SPI_REVISION       | [7:0] | SPI_TYPE               |                    | VERSION                 |                |                       |             |                     |       |       | 0x81 | R   |
| 0x0C | VENDOR_L           | [7:0] | VID[7:0]               |                    |                         |                |                       |             |                     |       |       | 0x56 | R   |
| 0x0D | VENDOR_H           | [7:0] | VID[15:8]              |                    |                         |                |                       |             |                     |       |       | 0x04 | R   |
| 0x0E | STREAM_MODE        | [7:0] | LOOP_COUNT             |                    |                         |                |                       |             |                     |       |       | 0x00 | R/W |
| 0x10 | INTERFACE_CONFIG_C | [7:0] | RESERVED               |                    |                         |                |                       |             |                     |       |       | 0x00 | R/W |
| 0x11 | INTERFACE_STATUS_A | [7:0] | RESERVED               |                    | CLOCK_C<br>OUNT_ER<br>R | RESERVED       |                       |             |                     |       | 0x00  | R/W  |     |
| 0x14 | EXIT_CFG_MD        | [7:0] | RESERVED               |                    |                         |                |                       |             | EXIT_CO<br>NFIG_MD  |       |       | 0x00 | R/W |
| 0x15 | AVG                | [7:0] | AVG_SYNC               | RESERVED           |                         | AVG_VAL        |                       |             |                     |       | 0x00  | R/W  |     |
| 0x16 | OFFSET_CH0_LB      | [7:0] | CH0_USER_OFFSET[7:0]   |                    |                         |                |                       |             |                     |       |       | 0x00 | R/W |
| 0x17 | OFFSET_CH0_MB      | [7:0] | CH0_USER_OFFSET[15:8]  |                    |                         |                |                       |             |                     |       |       | 0x00 | R/W |
| 0x18 | OFFSET_CH0_HB      | [7:0] | CH0_USER_OFFSET[23:16] |                    |                         |                |                       |             |                     |       |       | 0x00 | R/W |
| 0x19 | OFFSET_CH1_LB      | [7:0] | CH1_USER_OFFSET[7:0]   |                    |                         |                |                       |             |                     |       |       | 0x00 | R/W |
| 0x1A | OFFSET_CH1_MB      | [7:0] | CH1_USER_OFFSET[15:8]  |                    |                         |                |                       |             |                     |       |       | 0x00 | R/W |
| 0x1B | OFFSET_CH1_HB      | [7:0] | CH1_USER_OFFSET[23:16] |                    |                         |                |                       |             |                     |       |       | 0x00 | R/W |
| 0x1C | GAIN_CH0_LB        | [7:0] | CH0_USER_GAIN[7:0]     |                    |                         |                |                       |             |                     |       |       | 0x00 | R/W |
| 0x1D | GAIN_CH0_HB        | [7:0] | CH0_USER_GAIN[15:8]    |                    |                         |                |                       |             |                     |       |       | 0x80 | R/W |
| 0x1E | GAIN_CH1_LB        | [7:0] | CH1_USER_GAIN[7:0]     |                    |                         |                |                       |             |                     |       |       | 0x00 | R/W |
| 0x1F | GAIN_CH1_HB        | [7:0] | CH1_USER_GAIN[15:8]    |                    |                         |                |                       |             |                     |       |       | 0x80 | R/W |
| 0x20 | MODES              | [7:0] | LANE_MD                |                    | CLK_MD                  |                | DDR_MD                | OUT_DATA_MD |                     |       | 0x00  | R/W  |     |
| 0x21 | OSCILLATOR         | [7:0] | OSC_LIMIT              |                    |                         |                | OSC_DIV               |             |                     |       |       | 0x00 | R/W |
| 0x22 | IO                 | [7:0] | RESERVED               |                    |                         |                |                       |             | IO2X                |       |       | 0x00 | R/W |
| 0x23 | TEST_PAT_BYTE0     | [7:0] | TEST_DATA_PAT[7:0]     |                    |                         |                |                       |             |                     |       |       | 0x0F | R/W |
| 0x24 | TEST_PAT_BYTE1     | [7:0] | TEST_DATA_PAT[15:8]    |                    |                         |                |                       |             |                     |       |       | 0x0F | R/W |
| 0x25 | TEST_PAT_BYTE2     | [7:0] | TEST_DATA_PAT[23:16]   |                    |                         |                |                       |             |                     |       |       | 0x5A | R/W |
| 0x26 | TEST_PAT_BYTE3     | [7:0] | TEST_DATA_PAT[31:24]   |                    |                         |                |                       |             |                     |       |       | 0x5A | R/W |
| 0x34 | DIG_DIAG           | [7:0] | POWERUP<br>COMPLETED   | RESET_OC<br>CURRED | RESERVED                |                |                       |             | FUSE_CR<br>C_EN     |       |       | 0x40 | R/W |
| 0x35 | DIG_ERR            | [7:0] | RESERVED               |                    |                         |                |                       |             | FUSE_CR<br>C_ERR    |       |       | 0x00 | R/W |

## REGISTER DETAILS

## INTERFACE CONFIGURATION A REGISTER

Address: 0x00, Reset: 0x10, Name: INTERFACE\_CONFIG\_A

Interface configuration settings.

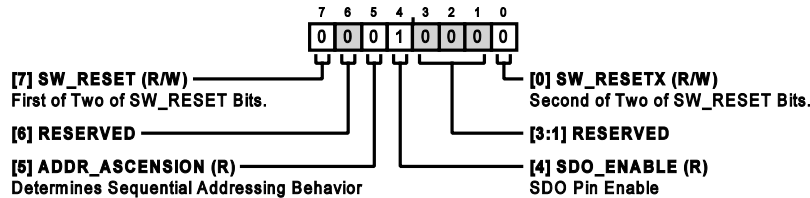


Table 17. Bit Descriptions for INTERFACE\_CONFIG\_A

| Bits  | Bit Name       | Description   | Reset | Access |
|-------|----------------|---|-------|--------|
| 7     | SW_RESET       | First of Two SW_RESET Bits. This bit appears in two locations in this register. Both locations must be written at the same time to trigger a software reset of the part. All registers except for this register are reset to their default values.  | 0x0   | R/W    |
| 6     | RESERVED       | Reserved.   | 0x0   | R      |
| 5     | ADDR_ASCENSION | Determines sequential addressing behavior.<br>0: address accessed is decremented by one for each data byte when streaming.<br>1: not a valid option.  | 0x0   | R      |
| 4     | SDO_ENABLE     | SDO Pin Enable.   | 0x1   | R      |
| [3:1] | RESERVED       | Reserved.   | 0x0   | R      |
| 0     | SW_RESETX      | Second of Two SW_RESET Bits. This bit appears in two locations in this register. Both locations must be written at the same time to trigger a software reset of the part. All registers except for this register are reset to their default values. | 0x0   | R/W    |

## INTERFACE CONFIGURATION B REGISTER

Address: 0x01, Reset: 0x00, Name: INTERFACE\_CONFIG\_B

Additional interface configuration settings.

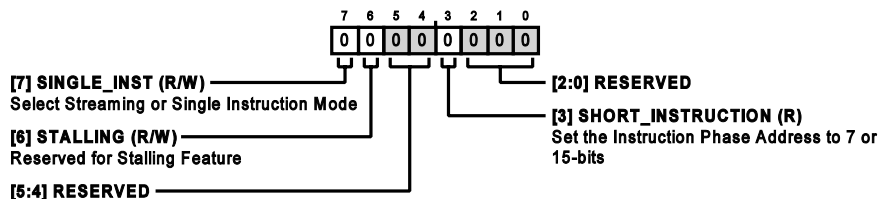


Table 18. Bit Descriptions for INTERFACE\_CONFIG\_B

| Bits  | Bit Name          | Description   | Reset | Access |
|-------|-------------------|---|-------|--------|
| 7     | SINGLE_INST       | Select streaming or single instruction mode.<br>0: streaming mode is enabled. The address decrements as successive data bytes are received.<br>1: single instruction mode is enabled. | 0x0   | R/W    |
| 6     | STALLING          | Reserved for Stalling Feature.  | 0x0   | R/W    |
| [5:4] | RESERVED          | Reserved.   | 0x0   | R      |
| 3     | SHORT_INSTRUCTION | Set the instruction phase address to 7 bits or 15 bits.<br>0: 15-bit addressing.<br>1: 7-bit addressing.  | 0x0   | R      |
| [2:0] | RESERVED          | Reserved.   | 0x0   | R      |

## REGISTER DETAILS

## DEVICE CONFIGURATION REGISTER

Address: 0x02, Reset: 0x00, Name: DEVICE\_CONFIG

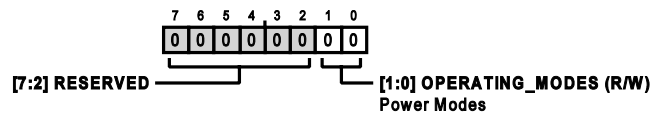


Table 19. Bit Descriptions for DEVICE\_CONFIG

| Bits  | Bit Name        | Description  | Reset | Access |
|-------|-----------------|--|-------|--------|
| [7:2] | RESERVED        | Reserved.  | 0x0   | R      |
| [1:0] | OPERATING_MODES | Power Modes.<br>00: normal operating mode.<br>11: shutdown mode. | 0x0   | R/W    |

## CHIP TYPE REGISTER

Address: 0x03, Reset: 0x07, Name: CHIP\_TYPE

The chip type is used to identify the family of Analog Devices products a given device belongs to. Use the chip type with the product ID to uniquely identify a given product.

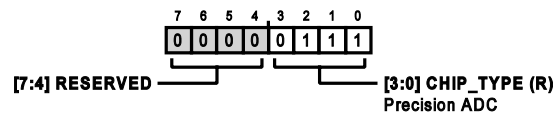


Table 20. Bit Descriptions for CHIP\_TYPE

| Bits  | Bit Name  | Description    | Reset | Access |
|-------|-----------|----------------|-------|--------|
| [7:4] | RESERVED  | Reserved.      | 0x0   | R      |
| [3:0] | CHIP_TYPE | Precision ADC. | 0x7   | R      |

## PRODUCT ID LOW REGISTER

Address: 0x04, Reset: 0x00, Name: PRODUCT\_ID\_L

Low byte of the product ID.

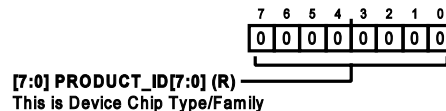


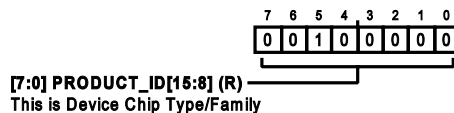
Table 21. Bit Descriptions for PRODUCT\_ID\_L

| Bits  | Bit Name              | Description   | Reset | Access |
|-------|-----------------------|---|-------|--------|
| [7:0] | PRODUCT_ID, Bits[7:0] | This is the device chip type/family. Use the product ID with the chip type to identify a product. | 0x0   | R      |

## PRODUCT ID HIGH REGISTER

Address: 0x05, Reset: 0x20, Name: PRODUCT\_ID\_H

High byte of the product ID.



## REGISTER DETAILS

Table 22. Bit Descriptions for PRODUCT\_ID\_H

| Bits  | Bit Name               | Description   | Reset | Access |
|-------|------------------------|---|-------|--------|
| [7:0] | PRODUCT_ID, Bits[15:8] | This is the device chip type/family. Use the product ID with the chip type to identify a product. | 0x20  | R      |

## CHIP GRADE REGISTER

Address: 0x06, Reset: 0x01, Name: CHIP\_GRADE

Identifies product variations and device revisions.

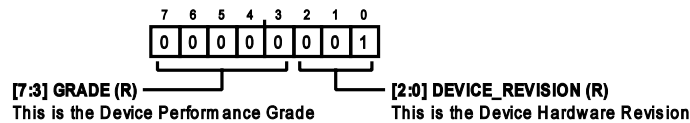


Table 23. Bit Descriptions for CHIP\_GRADE

| Bits  | Bit Name        | Description                           | Reset | Access |
|-------|-----------------|---------------------------------------|-------|--------|
| [7:3] | GRADE           | This is the device performance grade. | 0x0   | R      |
| [2:0] | DEVICE_REVISION | This is the device hardware revision. | 0x1   | R      |

## SCRATCHPAD REGISTER

Address: 0x0A, Reset: 0x00, Name: SCRATCH\_PAD

This register can be used to test writes and reads.

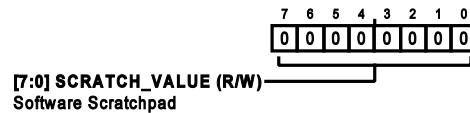


Table 24. Bit Descriptions for SCRATCH\_PAD

| Bits  | Bit Name      | Description   | Reset | Access |
|-------|---------------|---|-------|--------|
| [7:0] | SCRATCH_VALUE | Software Scratchpad. Software can write to and read from this location without any device side effects. | 0x0   | R/W    |

## SPI REVISION REGISTER

Address: 0x0B, Reset: 0x81, Name: SPI\_REVISION

Indicates the SPI revision.

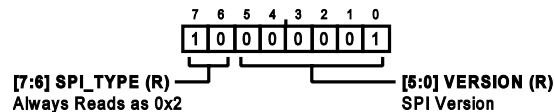


Table 25. Bit Descriptions for SPI\_REVISION

| Bits  | Bit Name | Description               | Reset | Access |
|-------|----------|---------------------------|-------|--------|
| [7:6] | SPI_TYPE | Always reads as 0x2.      | 0x2   | R      |
| [5:0] | VERSION  | SPI Version.<br>01: draft | 0x1   | R      |



## REGISTER DETAILS

## VENDOR ID LOW REGISTER

Address: 0x0C, Reset: 0x56, Name: VENDOR\_L

Low byte of the vendor ID.

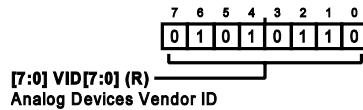


Table 26. Bit Descriptions for VENDOR\_L

| Bits  | Bit Name | Description               | Reset | Access |
|-------|----------|---------------------------|-------|--------|
| [7:0] | VID[7:0] | Analog Devices Vendor ID. | 0x56  | R      |

## VENDOR ID HIGH REGISTER

Address: 0x0D, Reset: 0x04, Name: VENDOR\_H

High byte of the vendor ID.

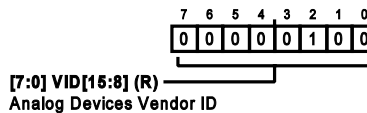


Table 27. Bit Descriptions for VENDOR\_H

| Bits  | Bit Name  | Description               | Reset | Access |
|-------|-----------|---------------------------|-------|--------|
| [7:0] | VID[15:8] | Analog Devices Vendor ID. | 0x4   | R      |

## STREAM MODE REGISTER

Address: 0x0E, Reset: 0x00, Name: STREAM\_MODE

Defines the length of the loop when streaming data.

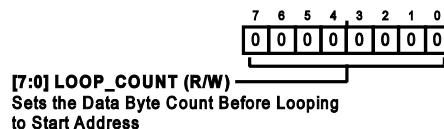


Table 28. Bit Descriptions for STREAM\_MODE

| Bits  | Bit Name   | Description   | Reset | Access |
|-------|------------|---|-------|--------|
| [7:0] | LOOP_COUNT | Sets the data byte count before looping to start address. When streaming data, a nonzero value sets the number of data bytes written before the address loops back to the start address. A maximum of 255 bytes can be written using this approach. A value of 0x00 disables the loop back so that addressing wraps around at the upper and lower limits of the memory. After writing this register, the loop value applies only to the following SPI instruction and auto clears upon the end of that instruction. | 0x0   | R/W    |

## REGISTER DETAILS

## INTERFACE CONFIGURATION C REGISTER

Address: 0x10, Reset: 0x00, Name: INTERFACE\_CONFIG\_C

Additional interface configuration settings.

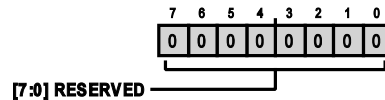


Table 29. Bit Descriptions for INTERFACE\_CONFIG\_C

| Bits  | Bit Name | Description | Reset | Access |
|-------|----------|-------------|-------|--------|
| [7:0] | RESERVED | Reserved.   | 0x0   | R      |

## INTERFACE STATUS A REGISTER

Address: 0x11, Reset: 0x00, Name: INTERFACE\_STATUS\_A

Status bits are set to 1 to indicate an active condition. The status bits can be cleared by writing a 1 to the corresponding bit location.

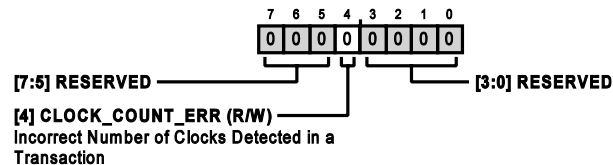


Table 30. Bit Descriptions for INTERFACE\_STATUS\_A

| Bits  | Bit Name        | Description   | Reset | Access |
|-------|-----------------|---|-------|--------|
| [7:5] | RESERVED        | Reserved.   | 0x0   | R      |
| 4     | CLOCK_COUNT_ERR | Incorrect Number of Clocks Detected in a Transaction. | 0x0   | R/W    |
| [3:0] | RESERVED        | Reserved.   | 0x0   | R      |

## EXIT CONFIGURATION MODE REGISTER

Address: 0x14, Reset: 0x00, Name: EXIT\_CFG\_MD

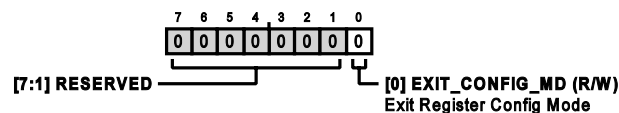


Table 31. Bit Descriptions for EXIT\_CFG\_MD

| Bits  | Bit Name       | Description  | Reset | Access |
|-------|----------------|--|-------|--------|
| [7:1] | RESERVED       | Reserved.  | 0x0   | R      |
| 0     | EXIT_CONFIG_MD | Exit Register Config Mode. Write 1 to exit register configuration mode. Self clearing upon $\overline{CS} = 1$ . | 0x0   | R/W    |

REGISTER DETAILS

AVERAGING MODE REGISTER

Address: 0x15, Reset: 0x00, Name: AVG

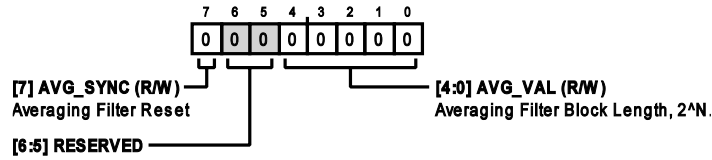


Table 32. Bit Descriptions for AVG

| Bits  | Bit Name | Description  | Reset | Access |
|-------|----------|--|-------|--------|
| 7     | AVG_SYNC | Averaging Filter Reset. 1 = reset, self clearing.  | 0x0   | R/W    |
| [6:5] | RESERVED | Reserved.  | 0x0   | R      |
| [4:0] | AVG_VAL  | Averaging Filter Block Length, 2 <sup>N</sup> .<br>0x00 = no averaging.<br>0x01 = 2 <sup>1</sup> samples.<br>0x02 = 2 <sup>2</sup> samples.<br>0x03 = 2 <sup>3</sup> samples.<br>0x04 = 2 <sup>4</sup> samples.<br>0x05 = 2 <sup>5</sup> samples.<br>...<br>0x0F = 2 <sup>15</sup> samples.<br>0x10 = 2 <sup>16</sup> samples.<br>0x11 through 0x1F = invalid. | 0x0   | R/W    |

CHANNEL 0 OFFSET REGISTERS

Address: 0x16, Reset: 0x00, Name: OFFSET\_CH0\_LB

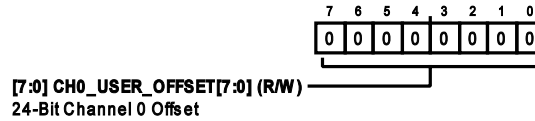


Table 33. Bit Descriptions for OFFSET\_CH0\_LB

| Bits  | Bit Name             | Description   | Reset | Access |
|-------|----------------------|---|-------|--------|
| [7:0] | CH0_USER_OFFSET[7:0] | 24-Bit Channel 0 Offset. Twos complement (signed). 1 LSB = (V <sub>REF</sub> /2 <sup>23</sup> )/Gain. See the <a href="#">Channel 0 Gain Registers</a> section for a description of the gain parameter. | 0x0   | R/W    |

Address: 0x17, Reset: 0x00, Name: OFFSET\_CH0\_MB

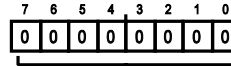


Table 34. Bit Descriptions for OFFSET\_CH0\_MB

| Bits  | Bit Name              | Description   | Reset | Access |
|-------|-----------------------|---|-------|--------|
| [7:0] | CH0_USER_OFFSET[15:8] | 24-Bit Channel 0 Offset. Twos complement (signed). 1 LSB = (V <sub>REF</sub> /2 <sup>23</sup> )/Gain. See the <a href="#">Channel 0 Gain Registers</a> section for a description of the gain parameter. | 0x0   | R/W    |

## REGISTER DETAILS

Address: 0x18, Reset: 0x00, Name: OFFSET\_CH0\_HB



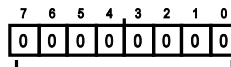
[7:0] CH0\_USER\_OFFSET[23:16] (R/W)  
24-Bit Channel 0 Offset

Table 35. Bit Descriptions for OFFSET\_CH0\_HB

| Bits  | Bit Name               | Description  | Reset | Access |
|-------|------------------------|--|-------|--------|
| [7:0] | CH0_USER_OFFSET[23:16] | 24-Bit Channel 0 Offset. Twos complement (signed). 1 LSB = $(V_{REF}/2^{23})$ /Gain. See the <a href="#">Channel 0 Gain Registers</a> section for a description of the gain parameter. | 0x0   | R/W    |

## CHANNEL 1 OFFSET REGISTERS

Address: 0x19, Reset: 0x00, Name: OFFSET\_CH1\_LB

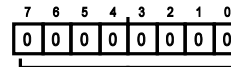


[7:0] CH1\_USER\_OFFSET[7:0] (R/W)  
24-Bit Channel 1 Offset

Table 36. Bit Descriptions for OFFSET\_CH1\_LB

| Bits  | Bit Name             | Description  | Reset | Access |
|-------|----------------------|--|-------|--------|
| [7:0] | CH1_USER_OFFSET[7:0] | 24-Bit Channel 1 Offset. Twos complement (signed). 1 LSB = $(V_{REF}/2^{23})$ /Gain. See the <a href="#">Channel 1 Gain Registers</a> section for a description of the gain parameter value. | 0x0   | R/W    |

Address: 0x1A, Reset: 0x00, Name: OFFSET\_CH1\_MB

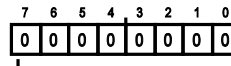


[7:0] CH1\_USER\_OFFSET[15:8] (R/W)  
24-Bit Channel 1 Offset

Table 37. Bit Descriptions for OFFSET\_CH1\_MB

| Bits  | Bit Name              | Description  | Reset | Access |
|-------|-----------------------|--|-------|--------|
| [7:0] | CH1_USER_OFFSET[15:8] | 24-Bit Channel 1 Offset. Twos complement (signed). 1 LSB = $(V_{REF}/2^{23})$ /Gain. See the <a href="#">Channel 1 Gain Registers</a> section for a description of the gain parameter value. | 0x0   | R/W    |

Address: 0x1B, Reset: 0x00, Name: OFFSET\_CH1\_HB



[7:0] CH1\_USER\_OFFSET[23:16] (R/W)  
24-Bit Channel 1 Offset

Table 38. Bit Descriptions for OFFSET\_CH1\_HB

| Bits  | Bit Name               | Description  | Reset | Access |
|-------|------------------------|--|-------|--------|
| [7:0] | CH1_USER_OFFSET[23:16] | 24-Bit Channel 1 Offset. Twos complement (signed). 1 LSB = $(V_{REF}/2^{23})$ /Gain. See the <a href="#">Channel 1 Gain Registers</a> section for a description of the gain parameter value. | 0x0   | R/W    |

## REGISTER DETAILS

## CHANNEL 0 GAIN REGISTERS

Address: 0x1C, Reset: 0x00, Name: GAIN\_CH0\_LB

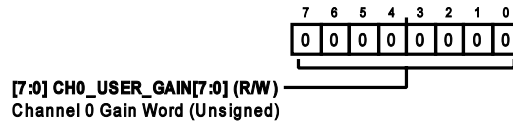


Table 39. Bit Descriptions for GAIN\_CH0\_LB

| Bits  | Bit Name           | Description   | Reset | Access |
|-------|--------------------|---|-------|--------|
| [7:0] | CH0_USER_GAIN[7:0] | Channel 0 Gain Word (Unsigned). Multiplier output = input × Gain Word/0x8000. Maximum effective gain = 0xFFFF/0x8000 = 1.99997. | 0x00  | R/W    |

Address: 0x1D, Reset: 0x80, Name: GAIN\_CH0\_HB

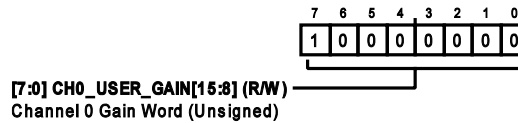


Table 40. Bit Descriptions for GAIN\_CH0\_HB

| Bits  | Bit Name            | Description   | Reset | Access |
|-------|---------------------|---|-------|--------|
| [7:0] | CH0_USER_GAIN[15:8] | Channel 0 Gain Word (Unsigned). Multiplier output = input × Gain Word/0x8000. Maximum effective gain = 0xFFFF/0x8000 = 1.99997. | 0x80  | R/W    |

## CHANNEL 1 GAIN REGISTERS

Address: 0x1E, Reset: 0x00, Name: GAIN\_CH1\_LB

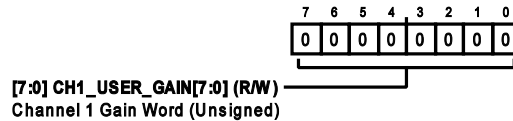


Table 41. Bit Descriptions for GAIN\_CH1\_LB

| Bits  | Bit Name           | Description   | Reset | Access |
|-------|--------------------|---|-------|--------|
| [7:0] | CH1_USER_GAIN[7:0] | Channel 1 Gain Word (Unsigned). Multiplier output = input × Gain Word/0x8000. Maximum effective gain = 0xFFFF/0x8000 = 1.99997. | 0x00  | R/W    |

Address: 0x1F, Reset: 0x80, Name: GAIN\_CH1\_HB

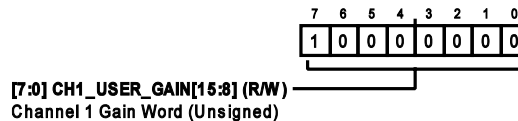


Table 42. Bit Descriptions for GAIN\_CH1\_HB

| Bits  | Bit Name            | Description   | Reset | Access |
|-------|---------------------|---|-------|--------|
| [7:0] | CH1_USER_GAIN[15:8] | Channel 1 Gain Word (Unsigned). Multiplier output = input × Gain Word/0x8000. Maximum effective gain = 0xFFFF/0x8000 = 1.99997. | 0x80  | R/W    |

## REGISTER DETAILS

## MODES REGISTER

Address: 0x20, Reset: 0x00, Name: MODES

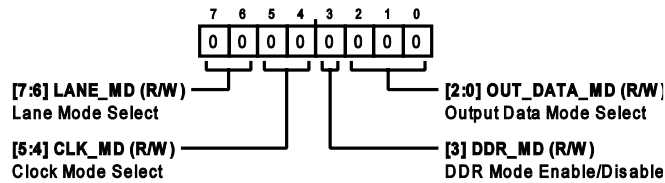


Table 43. Bit Descriptions for MODES

| Bits  | Bit Name    | Description   | Reset | Access |
|-------|-------------|---|-------|--------|
| [7:6] | LANE_MD     | Lane Mode Select.<br>00 = one lane per channel.<br>01 = two lanes per channel.<br>10 = four lanes per channel.<br>11 = Channel 0 and Channel 1 interleaved on SDO0.   | 0x0   | R/W    |
| [5:4] | CLK_MD      | Clock Mode Select.<br>00 = SPI clocking mode.<br>01 = echo clock mode.<br>10 = master clock mode.<br>11 = invalid setting.  | 0x0   | R/W    |
| 3     | DDR_MD      | DDR Mode Enable/Disable.<br>0 = SDR.<br>1 = DDR (only valid for echo clock and master clock modes).   | 0x0   | R/W    |
| [2:0] | OUT_DATA_MD | Output Data Mode Select.<br>000 = 24-bit differential data.<br>001 = 16-bit differential data + 8-bit common mode data.<br>010 = 24-bit differential data + 8-bit common mode data.<br>011 = 30-bit averaged differential data + OR-bit + SYNC-bit.<br>100 = 32-bit test data pattern (see the <a href="#">Test Pattern Registers</a> section). | 0x0   | R/W    |

## INTERNAL OSCILLATOR REGISTER

Address: 0x21, Reset: 0x00, Name: OSCILLATOR

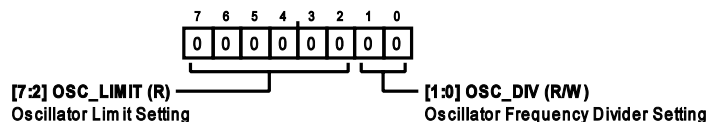


Table 44. Bit Descriptions for OSCILLATOR

| Bits  | Bit Name  | Description  | Reset | Access |
|-------|-----------|--|-------|--------|
| [7:2] | OSC_LIMIT | Oscillator Limit Setting. Oscillator is limited to this number of clock pulses plus one. Automatically calculated by the AD4630-24 based on the data word size, number of active SDO lanes, and data rate mode (SDR or DDR). | 0x0   | R      |
| [1:0] | OSC_DIV   | Oscillator Frequency Divider Setting.<br>00 = no divide (divide by 1).<br>01 = divide by 2.<br>10 = divide by 4.<br>11 = invalid setting.  | 0x0   | R/W    |

## REGISTER DETAILS

## OUTPUT DRIVER REGISTER

Address: 0x22, Reset: 0x00, Name: IO

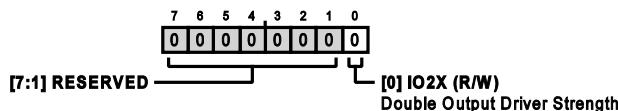


Table 45. Bit Descriptions for IO

| Bits  | Bit Name | Description  | Reset | Access |
|-------|----------|--|-------|--------|
| [7:1] | RESERVED | Reserved.  | 0x0   | R      |
| 0     | IO2X     | Double Output Driver Strength.<br>1 = double output driver strength.<br>0 = normal output driver strength. | 0x0   | R/W    |

## TEST PATTERN REGISTERS

Address: 0x23, Reset: 0x0F, Name: TEST\_PAT\_BYTE0

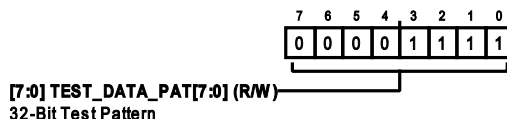


Table 46. Bit Descriptions for TEST\_PAT\_BYTE0

| Bits  | Bit Name           | Description  | Reset | Access |
|-------|--------------------|--|-------|--------|
| [7:0] | TEST_DATA_PAT[7:0] | 32-Bit Test Pattern. Applied to both channels when OUT_DATA_MD = 4 (see the <a href="#">Modes Register</a> section). | 0xF   | R/W    |

Address: 0x24, Reset: 0x0F, Name: TEST\_PAT\_BYTE1

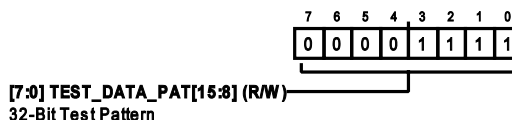


Table 47. Bit Descriptions for TEST\_PAT\_BYTE1

| Bits  | Bit Name            | Description  | Reset | Access |
|-------|---------------------|--|-------|--------|
| [7:0] | TEST_DATA_PAT[15:8] | 32-Bit Test Pattern. Applied to both channels when OUT_DATA_MD = 4 (see the <a href="#">Modes Register</a> section). | 0xF   | R/W    |

Address: 0x25, Reset: 0x5A, Name: TEST\_PAT\_BYTE2

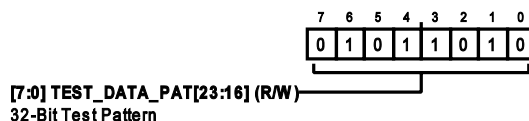


Table 48. Bit Descriptions for TEST\_PATBYTE2

| Bits  | Bit Name             | Description  | Reset | Access |
|-------|----------------------|--|-------|--------|
| [7:0] | TEST_DATA_PAT[23:16] | 32-Bit Test Pattern. Applied to both channels when OUT_DATA_MD = 4 (see the <a href="#">Modes Register</a> section). | 0x5A  | R/W    |

## REGISTER DETAILS

Address: 0x26, Reset: 0x5A, Name: TEST\_PAT\_BYTE3

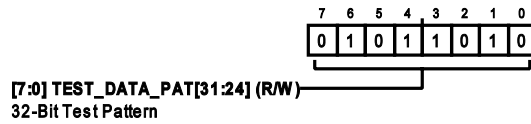


Table 49. Bit Descriptions for TEST\_PAT\_BYTE3

| Bits  | Bit Name             | Description  | Reset | Access |
|-------|----------------------|--|-------|--------|
| [7:0] | TEST_DATA_PAT[31:24] | 32-Bit Test Pattern. Applied to both channels when OUT_DATA_MD = 4 (see the <a href="#">Modes Register</a> section). | 0x5A  | R/W    |

## DIGITAL DIAGNOSTICS REGISTER

Address: 0x34, Reset: 0x40, Name: DIG\_DIAG

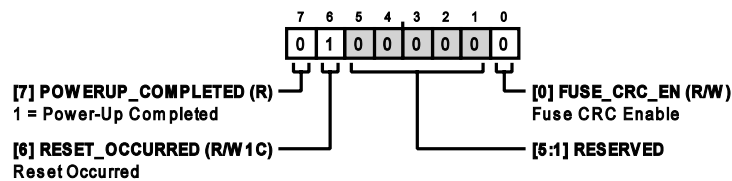


Table 50. Bit Descriptions for DIG\_DIAG

| Bits  | Bit Name          | Description   | Reset | Access |
|-------|-------------------|---|-------|--------|
| 7     | POWERUP_COMPLETED | 1 = Power-Up Completed.   | 0x0   | R      |
| 6     | RESET_OCCURRED    | Reset Occurred. This bit is set to 1 upon a reset event. Write 1 to clear (useful for detecting brownouts). | 0x1   | R/W1C  |
| [5:1] | RESERVED          | Reserved.   | 0x0   | R      |
| 0     | FUSE_CRC_EN       | Fuse CRC Enable. Write a 1 to force recheck of CRC.   | 0x0   | R/W    |

## DIGITAL ERRORS REGISTER

Address: 0x35, Reset: 0x00, Name: DIG\_ERR

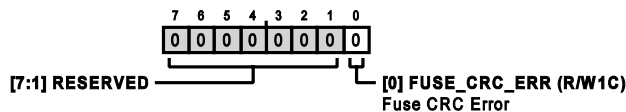


Table 51. Bit Descriptions for DIG\_ERR

| Bits  | Bit Name     | Description   | Reset | Access |
|-------|--------------|---|-------|--------|
| [7:1] | RESERVED     | Reserved.   | 0x0   | R      |
| 0     | FUSE_CRC_ERR | Fuse CRC Error. This bit is set to 1 upon a fuse CRC error. Write 1 to clear. | 0x0   | R/W1C  |



OUTLINE DIMENSIONS

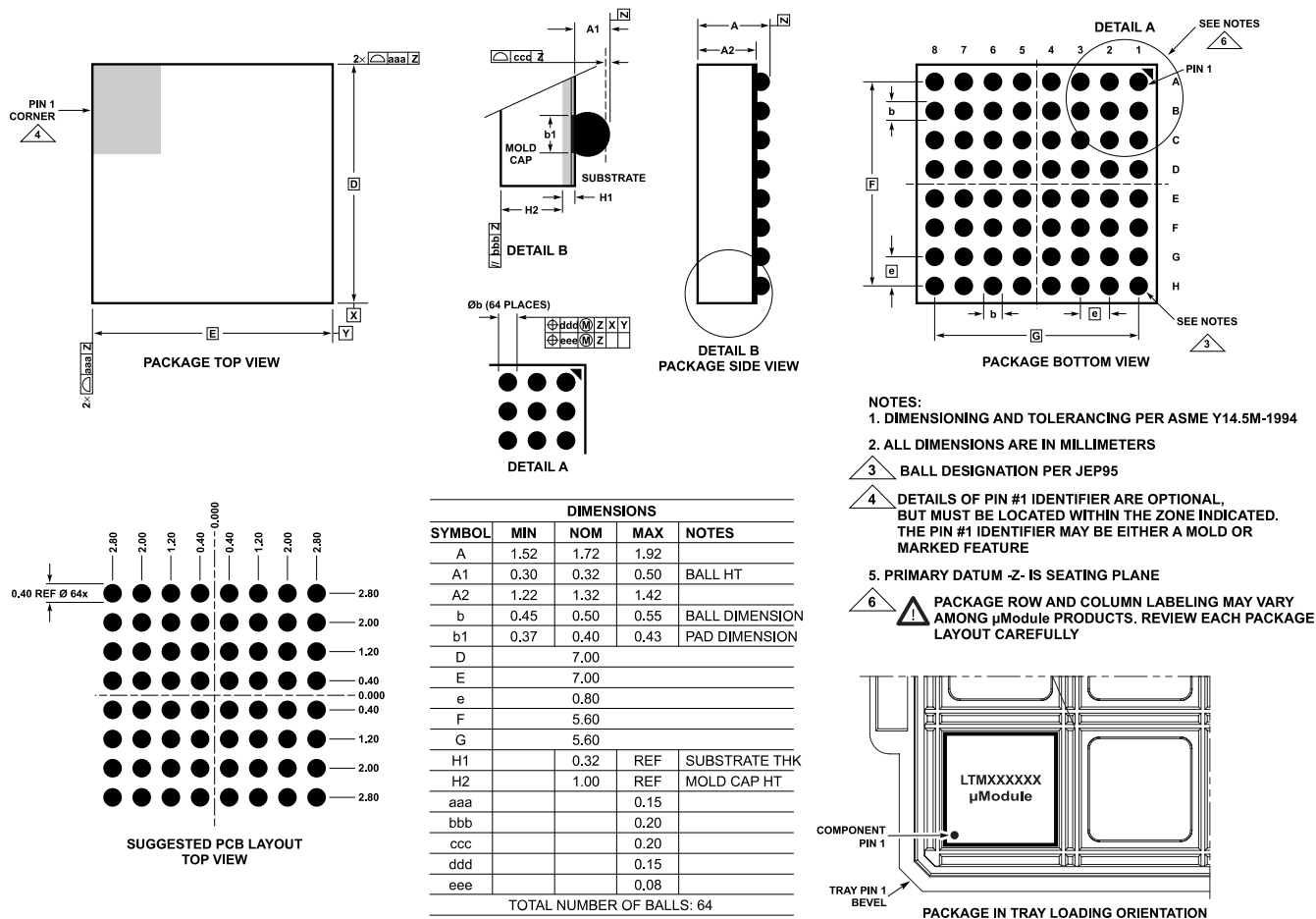


Figure 57. 64-Ball Chip Scale Package Ball Grid Array [CSP\_BGA] (BC-64-8)  
Dimensions shown in millimeters

Updated: November 26, 2021

ORDERING GUIDE

| Model <sup>1</sup> | Temperature Range | Package Description | Package Option |
|--------------------|-------------------|---------------------|----------------|
| AD4630-24BBCZ      | -40°C to +125°C   | CHIP SCALE BGA      | BC-64-8        |
| AD4630-24BBCZ-RL   | -40°C to +125°C   | CHIP SCALE BGA      | BC-64-8        |

<sup>1</sup> Z = RoHS Compliant Part.

EVALUATION BOARDS

| Model <sup>1</sup>  | Description      |
|---------------------|------------------|
| EVAL-AD4630-24-KTZ  | Evaluation Kit   |
| EVAL-AD4630-24-FMCZ | Evaluation Board |

<sup>1</sup> Z = RoHS Compliant Part.