

FEATURES

- Connector A is a USB 3.1 Type A female connector
- Connector B is a USB 3.1 Type C male connector
- Dimensions of 30 mm x 17 mm x 9.2 mm
- Contact resistance of 2 Ω
- Insulation resistance of 5 M Ω
- Plug-and-play design

RS PRO USB 3.1 A Type Female to USB 3.1 C Type Male Interface Adapter

RS Stock No.: 895-0528



RS Professionally Approved Products bring to you professional quality parts across all product categories. Our product range has been tested by engineers and provides a comparable quality to the leading brands without paying a premium price.

Product Description

This interface adapter is part of the RS PRO range, so you can be sure it's been thoroughly tested for quality and performance. The adapter is used to convert a USB-C port to a USB-A port. This lets you connect USB-A peripherals – such as flash drives, keyboards or mice – to your USB-C enabled devices. It's compatible with any laptop, tablet or smartphone with a USB-C port.

General Specifications

Connector A	USB 3.1 A Type Female
Connector B	USB 3.1 C Type Male
Connector A Gender	Female
Connector B Gender	Male
Connector A Type	USB 3.1 A
Connector B Type	USB 3.1 C
Body Orientation	Straight
Accessory Type	Gender Changer
Data Transfer Rate	5Gbps
Applications	Compatible with any laptop, tablet or smartphone with USB-C port.

Electrical Specifications

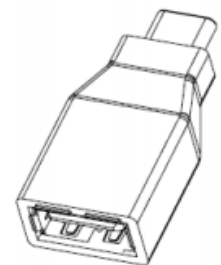
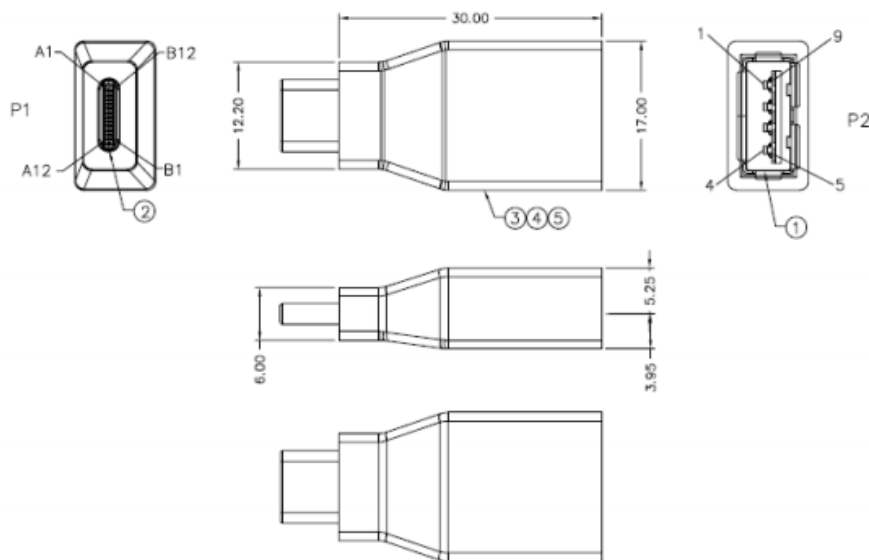
Contact Resistance	2Ω
Insulation Resistance	5MΩ
Voltage Rating	300V

Mechanical Specifications

Height	17mm
Length	30mm
Width	9.2mm

Approvals

Compliance/Certifications	EN61340
---------------------------	---------



5	OVER MOLD	PVC 70Pa BLACK	
4	INNER MOLD	LD-PE	
3	PCB	USB C MALE TO A/F PCBA	
2	CONNECTOR 2	USB3.1 C TYPE MALE PIN G/F,SHELL PLATED NICKEL	
1	CONNECTOR 1	USB3.1 A TYPE FEMALE PIN G/F,SHELL PLATED NICKEL	
NO.	PART NAME	SPEC DESCRIPTION	REMAKE

ELECTRICAL CHARACTER:

- 1.100% OPEN&SHORT TEST
- 2.HI-POT:DC300V 10ms
- 3.Insulation Resistance:5M OHM MIN
- 4.Contact Resistance: 2.0 OHM MAX

PIN ASSIGNMENT:

