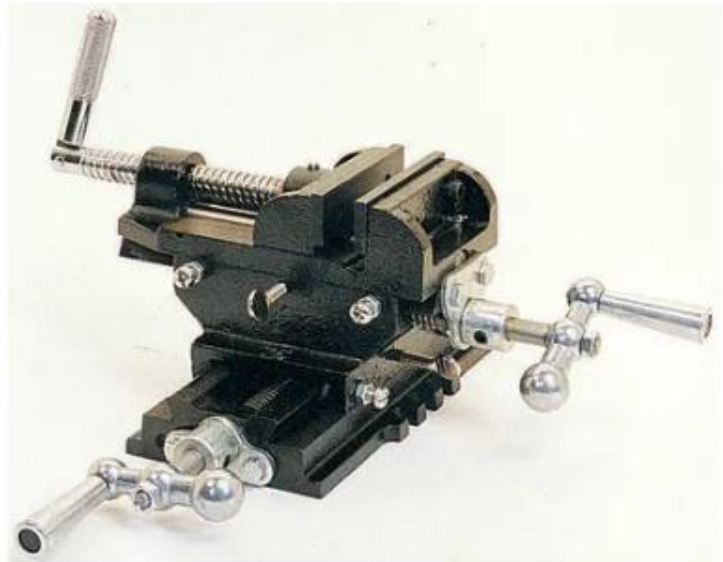


## FEATURES

- Jaws of the vise are made of hardened steel
- Body of the vise is made from high tensile cast iron
- Rotary action is smooth in both ways with angle adjustments
- Moves work in both horizontal and vertical directions
- Independent cross feed and traverse

## RS PRO Milling Vice x 39mm 102mm x 94mm, 10kg

RS Stock No.:105-192



RS Professionally Approved Products bring to you professional quality parts across all product categories. Our product range has been tested by engineers and provides a comparable quality to the leading brands without paying a premium price.

### Product Description

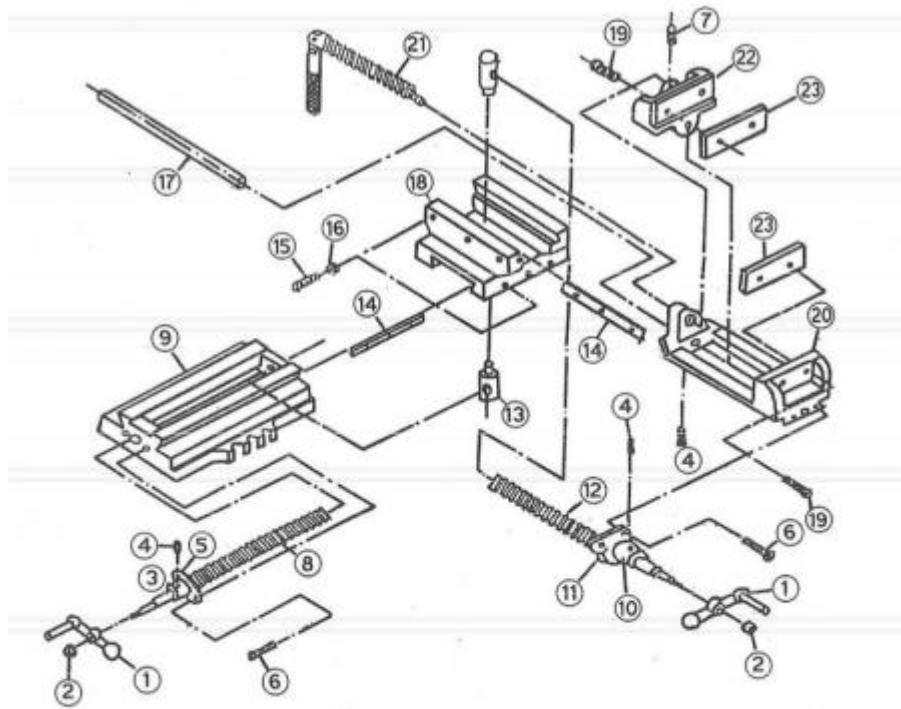
Are you looking for the most convenient way to hold small parts for milling? We offer you this milling vise from our own RS PRO brand. Intended for demanding vertical and horizontal machining tasks, such as milling and shaping, where strong clamping and secure mounting are required.

### General Specifications

<b>Vice Type</b>	Milling Vice
<b>Applications</b>	Centring, Drilling

### Mechanical Specifications

<b>Jaw Opening</b>	94mm
<b>Jaw Width</b>	102mm
<b>Jaw Depth</b>	39mm
<b>Mounting</b>	Bolts
<b>Weight</b>	10kg



NO.	DESCRIPTION	QTY	NO.	DESCRIPTION	QTY	NO.	DESCRIPTION	QTY
1	HANDLE	2	9	BASE	1	17	CENTRAL SLIND BAR	1
2	NUT	2	10	BUSHING	1	18	MID — BASE	1
3	BUSHING	1	11	BRACKET	1	19	LOCK SCREW	4
4	SCREW	3	12	LEAD SCREW	1	20	UPPER — BASE	1
5	BRACKET	1	13	NUT	1	21	LEAD SCREW	1
6	LOCK SCREW	4	14	GIB	2	22	SLIDE	1
7	SCREW	1	15	SCREW	6	23	JAWPLATE	2
8	LEAD SCREW	1	16	NUT	6			