



# Datasheet

## RS PRO Enclosures for power supplies

Stock number: 2006687

EN



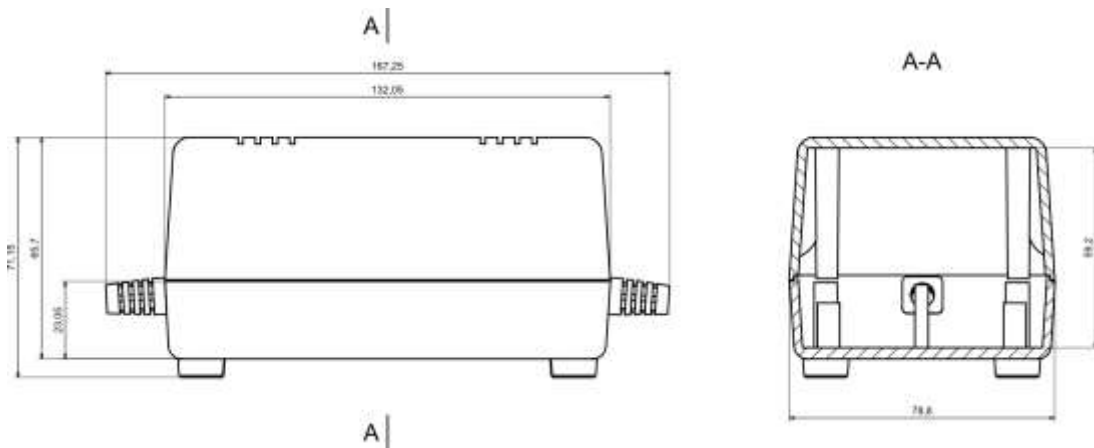
### Product Details

Enclosure for power supplies. Enclosure is ventilated for better air circulation it provides IP30 and IK06 rating it is ideal for applications that doesn't require hermetic seal.

### Features and Benefits

- Made of ABS
- Available in light gray color
- Protection against liquids and solid objects: IP30 rating
- Shock protection level: IK06 rating
- Supplied with screws and plastic feet for assembly
- Sleeves for cable protection

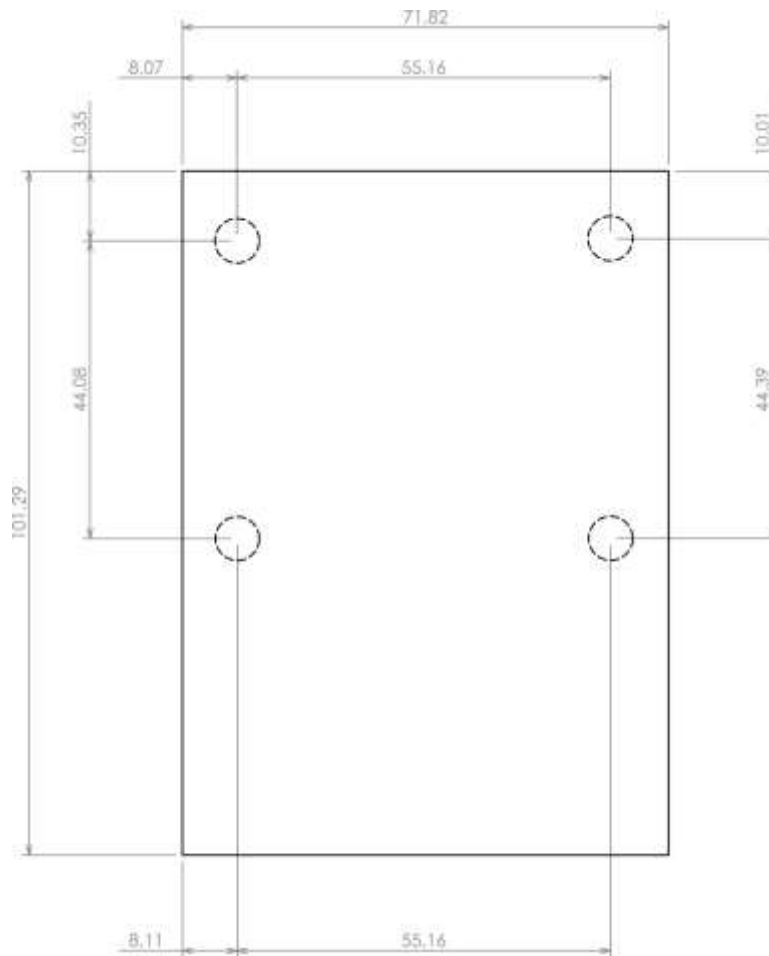
[rspro.com](http://rspro.com)



Category	Enclosures for power supplies
Type	Full
Material	ABS
Variant	Without gasket
Height	65.0 mm
Width	79.0 mm
Length	130.0 mm
Color	Light gray
Protection level	IP30
Shock protection level	IK06
Standards Met	RoHS Compliant
Accessories	Feet: 4.0 pcs Sleeve $\phi 7$ : 2.0 pcs Screw 3/40: 4.0 pcs
Certificate number	CE/031/18



## Max PCB size



Dashed line shows outline of the mounting boss under PCB board  
Recommended mounting holes diameter  $\varnothing 3,5\text{mm}$   
All dimensions are given within  $\pm 0,5\text{mm}$  tolerance