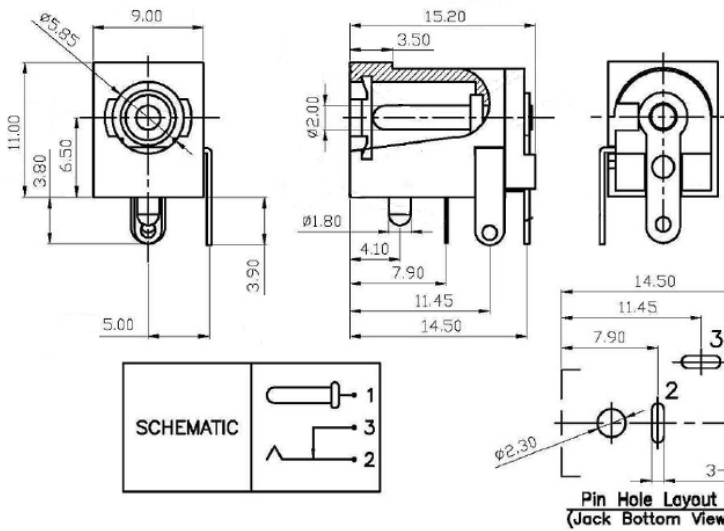
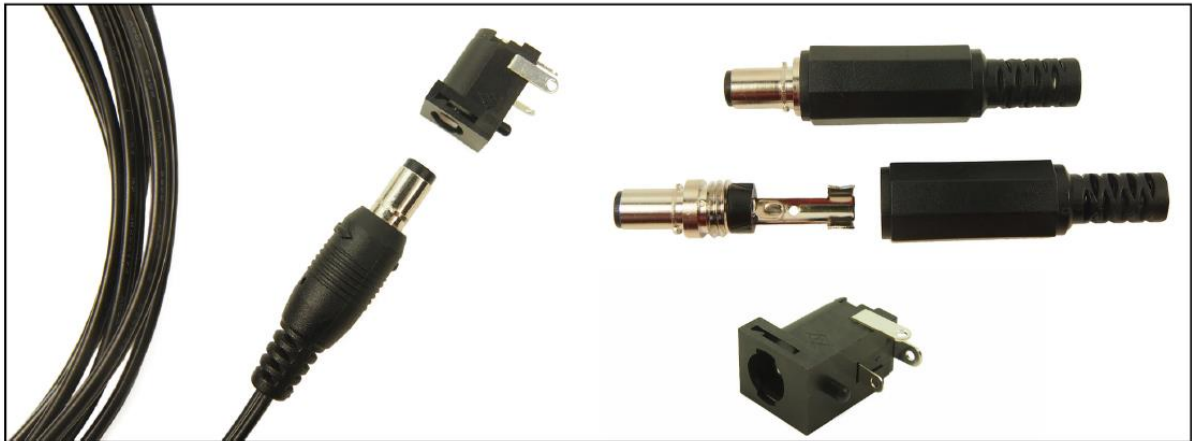


Datasheet

Locking DC Plug & Socket

RS Stock number 884-0944



Part No.

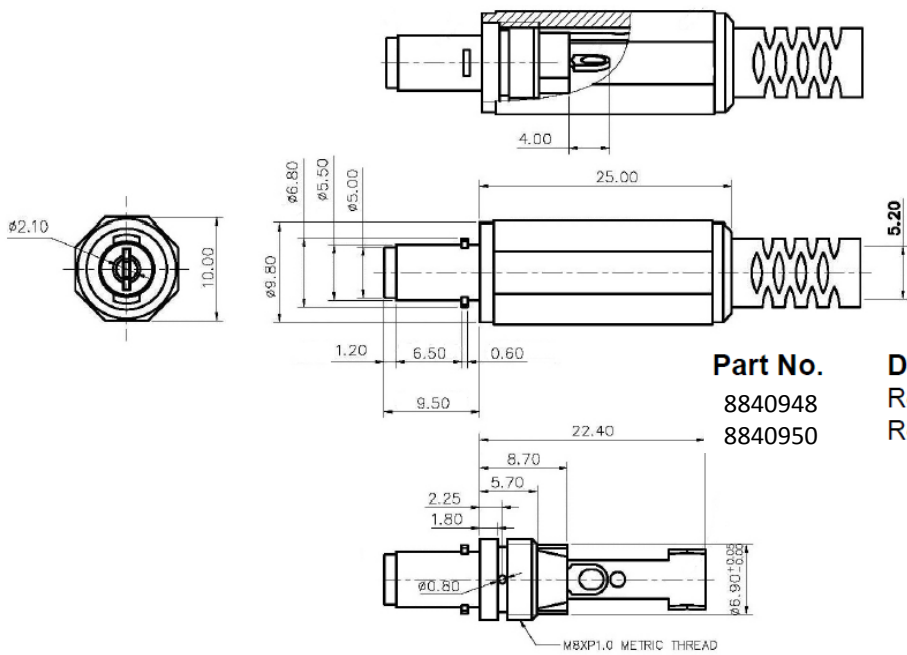
8840944
8840957

Description

Locking DC Socket Ø2.5mm
Locking DC Socket Ø2.1mm

Specification:

Contact Resistance : 30mΩ max.
Current rating : Max 2.0A, 16V DC
Insulation Resistance : 100MΩ min at DC500V
Dielectric Withstand Voltage : AC 500V for 1 minute.



Part No.

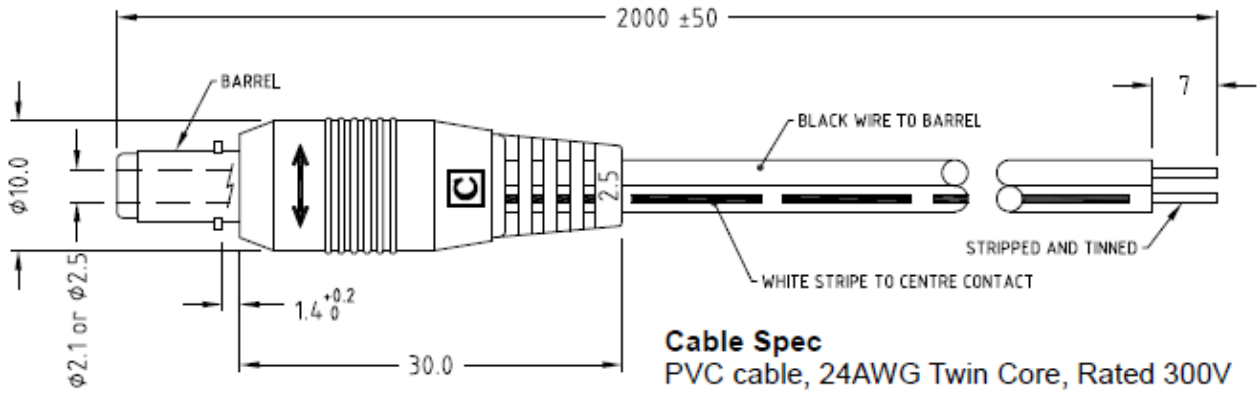
8840948

8840950

Description

Rewireable Locking DC Plug Ø2.5mm

Rewireable Locking DC Plug Ø2.1mm



Part No.
8840932

Description
Ø2.5mm LOCKING DC PLUG 2m CABLE