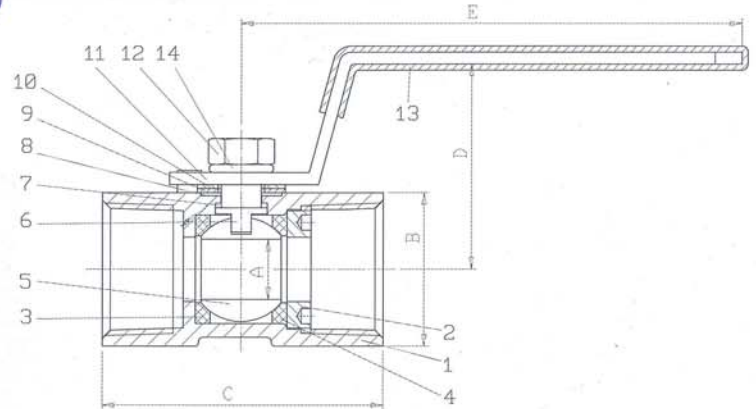


Fig. EA-102

1-PC BALL VALVE, REDUCED BORE, 1000 PSI



Feature:

- Working Pressure : 1000 PSI
- Size: 1/4"~2"(DN8~DN50)
- Reduced Bore
- Threaded End: NPT, BSPT, BSPF, DIN 2999
- Blow-out-proof Stem
- Optional: Locking Handle

Item	Parts Name	Material	
		Stainless Steel	Carbon Steel
1	Body	A351-CF8M	A216-WCB
2	Seat Retainer	A351-CF8M	A216-WCB
3&4	Seat	PTFE+15%G.F.	PTFE+15%G.F.
5	Ball	A351-CF8M / SUS 316	A351-CF8 / SUS 304
6	Stem	SUS 316	SUS 304
7	Gasket	PTFE+15%G.F.	PTFE+15%G.F.
8	Thin Gasket	PTFE+15%G.F.	PTFE+15%G.F.
9	Flat Washer	420J1	420J1
10	Belleville spring washer	420J1	420J1
11	Handle	SUS 304	SUS 304
12	Prevent Loose Nut	SUS 304	SUS 304
13	Plastic Coating	VINYL	VINYL
14	Lever Spring Washer	SUS 304	SUS 304

Dimension 尺寸

Item		A		B		C		D		E	
Size	NPS	mm	inch	mm	inch	mm	inch	mm	inch	mm	inch
1/4"	DN8	5.0	0.197	17.1	0.673	38.7	1.524	27.2	1.071	58	2.283
3/8"	DN10	7.0	0.276	20.7	0.815	44.2	1.740	29.0	1.142	70	2.756
1/2"	DN15	9.0	0.354	24.8	0.976	55.6	2.189	36.5	1.437	85	3.346
3/4"	DN20	12.5	0.492	31.4	1.236	62.1	2.445	39.8	1.567	85	3.346
1"	DN25	15.0	0.591	38.2	1.504	68.9	2.713	49.1	1.933	100	3.937
1-1/4"	DN32	20.0	0.787	47.0	1.850	78.2	3.079	53.5	2.106	100	3.937
1-1/2"	DN40	24.5	0.965	53.0	2.087	86.0	3.386	61.5	2.421	125	4.921
2"	DN50	32.0	1.260	65.2	2.567	102.7	4.043	67.6	2.661	125	4.921

■ We reserve the right to modify the design / specifications without previous notice for better quality.