

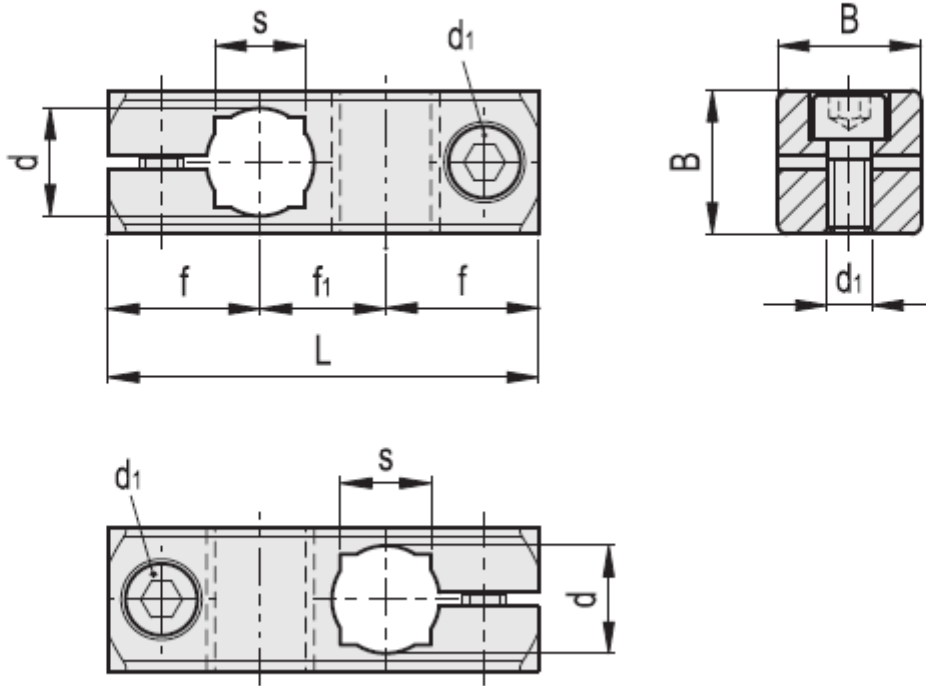
Datasheet

Two-Way Connecting Clamps



Specifications

- **Material**
Aluminium.
- **Clamping screws**
AISI 304 stainless steel with hexagon socket.
- **Standard executions**
 - **MSM-C-ANB**: anodised aluminium, black colour.
 - **MSM-C-MT**: natural aluminium, matte finish.



Main Dimensions							
Stock No.	d	L	B	d1	f	f1	s
7865986	8	37	14	M4	13.5	10	-
7866012	10	46	16	M5	17	12	8
7866056	12	48	16	M5	17	14	10
7866090	15	58	20	M6	20.5	17	12
7866129	16	59	20	M6	20.5	18	-
7866169	20	65	25	M6	21.5	22	16