

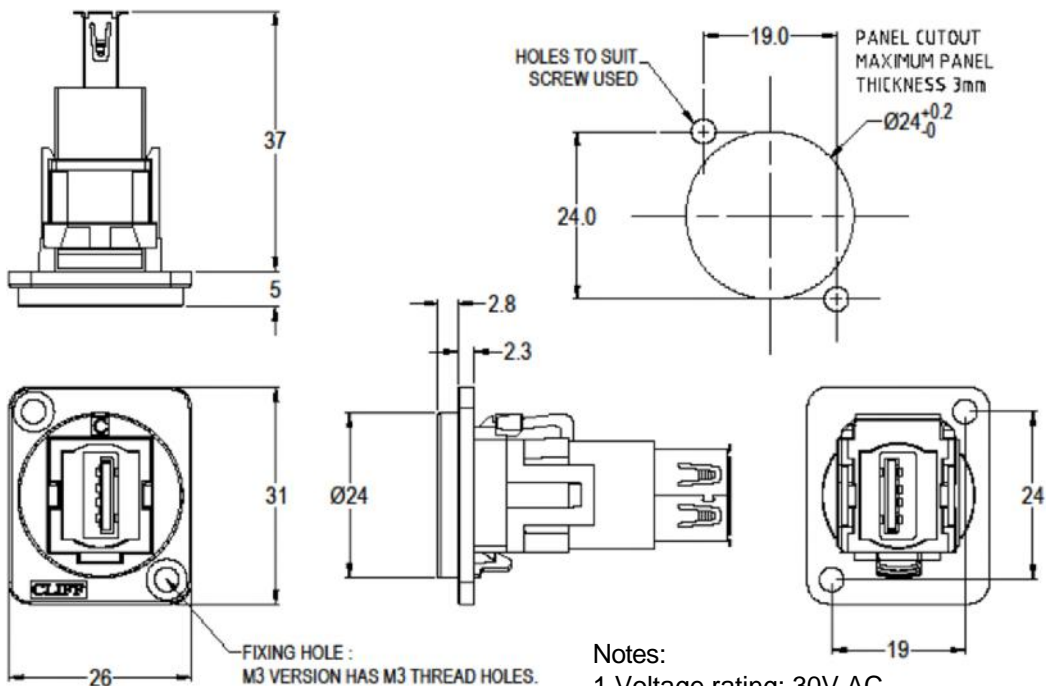


ENGLISH

Datasheet

RS PRO USB3.0 A-A METAL M3 FEEDTHROUGH CONNECTOR

Stock No: 175-0148, 175-0149



Material:

1. Insert: ABS UL94 HB
2. Frame: Nickel or Black plated zinc diecast
3. Inner Overmouldings: PE + PVC
4. Shell: Nickel plated steel
5. Contacts: Gold Plated

Notes:

1. Voltage rating: 30V AC
2. Current rating: 1.8 A max
3. Contact resistance: 50m Ω max
4. Insulation resistance: 20M Ω min
5. Dielectric withstanding voltage: 500V AC
6. Operating Temperature: -20°C to 50°C

rspro.com

Features & Benefits:

- Fits standard XLR Ø24mm cutout.
- No soldering or punch termination. Use standard cable for each connector style
- Front or rear mounted.
- Low rear profile

General:

Please note: Functionality is affected by cable quality, length and cable wiring configuration.

Variants:

175-0148 - USB3.0 A-A Metal frame, M3 holes

175-0149 - USB3.0 A-A Black metal frame, M3 holes



rspro.com

