

FEATURES

- Auto-restart
- Smooth and high-efficiency airflow
- Brushless DC
- Polarity protected

RS PRO, 12 V dc, DC Axial Fan, 80 x 80 x 25mm, 26cfm, 960mW

RS Stock No.: 541-5031



RS Professionally Approved Products bring to you professional quality parts across all product categories. Our product range has been tested by engineers and provides a comparable quality to the leading brands without paying a premium price.

Product Description

Brought to you by RS PRO, this high-performance ball bearing axial fan offers a cost-effective cooling solution without sacrificing on quality or reliability. With a robust plastic frame and impeller, the fan is perfect for lightweight applications where ventilation and cooling are required. The fan has a brushless DC motor which reduces the chance of overheating while delivering a high-speed high-pressure output.

General Specifications

Air Flow	28CFM
Fan Speed	2000rpm
Noise Level	21dB
Direction of Curve	Backwards
Frame	PBT, ULV94-0 Thermoplastic
Impeller	PBT, ULV94-0 Thermoplastic
Alarm Function	Yes
Applications	Server racks, Electrical cabinets and enclosures; Production Lines, Ceiling fan/ventilation Desktop computers, Motor engines (radiator in a car), Generators, Air compressors

Electrical Specifications

Motor	Brushless DC, locked rotor protected, Auto Restart, Polarity Protected
AC or DC Operation	DC
Power Consumption	960mW
Supply Voltage	12VDC
Maximum Current	90mA
Insulation Resistance	Min.10M ohm at 500VDC

Mechanical Specifications

Dimensions	80mm x80mm x25mm
Height	80mm
Width	80mm
Depth	25mm
Bearing Type	Ball
Life Expectancy	60,000 hours (L10)

Operation Environment Specifications

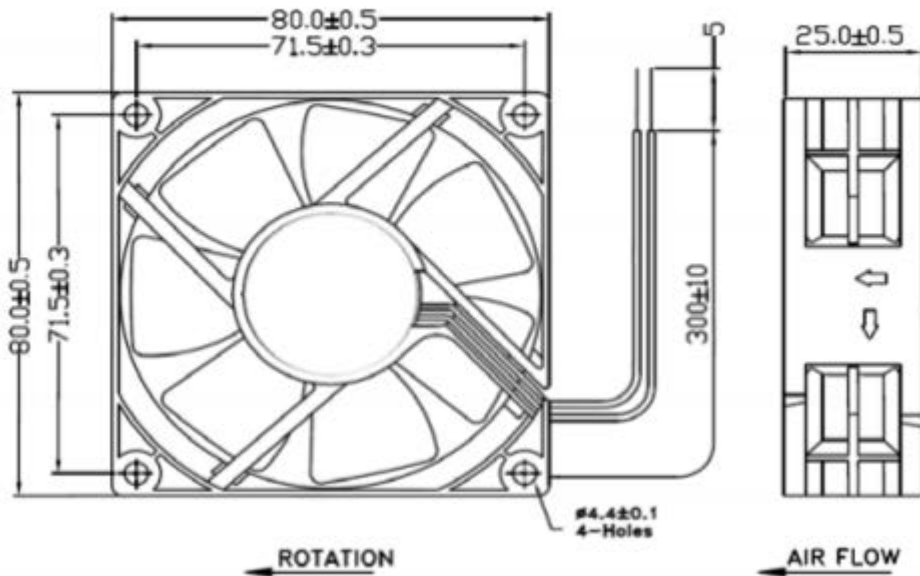
Operating Temperature	-10°C to 70°C
------------------------------	---------------

Approvals

Compliance/Certifications	UL, cUL, TUV, CE, UL94-V0
----------------------------------	---------------------------



Drawing(mm):



*Drawing for Dimensional Reference Only

RS Part Number	Speed (RPM)	Airflow (CFM)	Noise (db)	Volts (DC)	Voltage Range	Current (Amps)	Lead Type
5415053	3300	40	33	12	6~13.8	0.25	Wire
5415047	2800	33	28	12	6~13.8	0.15	Wire
5415031	2000	28	21	12	6~13.8	0.12	Wire
5415306	3300	40	33	24	12~28	0.16	Wire
5415299	2800	33	28	24	12~28	0.1	Wire
5415283	2000	28	21	24	12~28	0.09	Wire

Data Tolerance +/- 10%