

## FEATURES

- Made of PC
- Available in light gray colour
- Protection against liquids and solid objects: IP67 rating
- Supplied with four screws
- Threaded brass inserts for reliable assembly.

## RS PRO Hermetic Enclosures

RS Stock No.: 2384031



RS Professionally Approved Products bring to you professional quality parts across all product categories. Our product range has been tested by engineers and provides a comparable quality to the leading brands without paying a premium price.

### Product Description

*Hermetic enclosure ideal for applications requiring protection against water ingress. The enclosure is manufactured with polyurethane gasket that provides IP67 rating. Lid manufactured with recess for membrane keypads and overlays. Threaded brass inserts ensures reliable assembly of the enclosure. It can be mounted on walls and other surfaces using mounting ears.*

### General Specifications

Type	Full with lug
Material	PC
Colour	Lightgray
Accessories	Screw M3 17/10 – 4 psc
Mounting	Wall mount

### Mechanical Specifications

Height	60 mm
Width	100.05 mm
Length	150.05 mm (181.55 mm)
Gasket	Polyurethane Gasket

### Protection Category

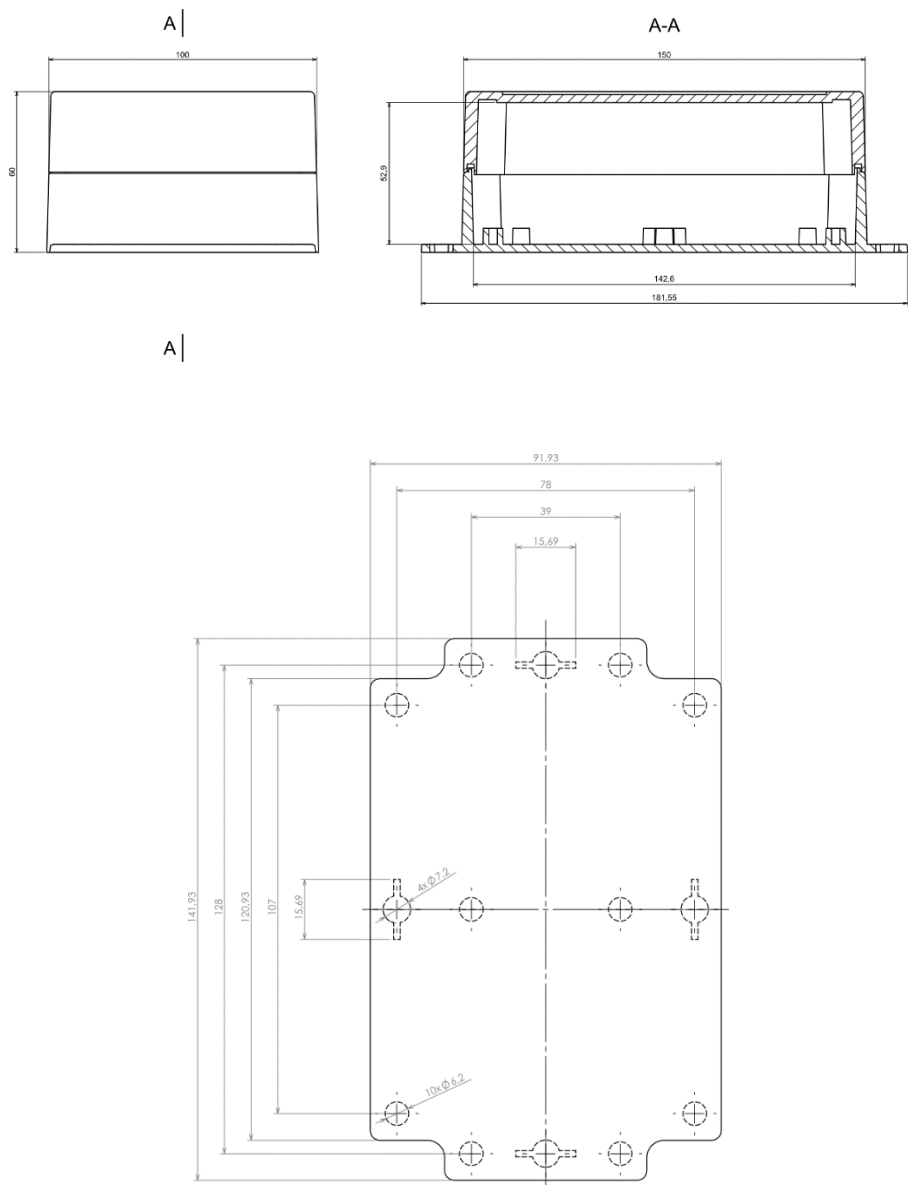
Protection level	IP67
------------------	------

### Approvals

Declarations	CE
Standards Met	RoHS Compliant

**Similar Products**

Stock No.	Brand	Product Name	Colour	Material
2384032	RS PRO	Hermetic	Lightgrey Transparent	ABS, Transparent PC
1920701	RS PRO	Hermetic	Lightgrey	PC



Dashed line shows outline of the mounting boss under PCB board  
 Recommended mounting holes diameter  $\phi 4\text{mm}$   
 All dimensions are given within  $\pm 0.5\text{mm}$  tolerance