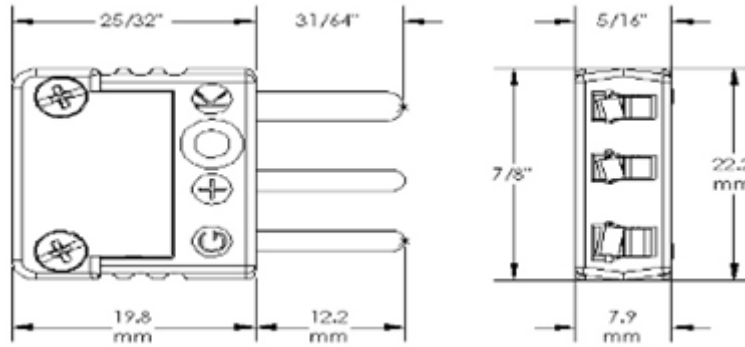




# Data sheet RS Stock No. 334-2723

## MINI 3-POLE THERMOCOUPLE K CONNECTOR “MARLIN” PLUGS



### TEMPERATURE RANGE:

- Connector bodies will withstand ambient temperatures to 400°F ( +205°C) in continuous duty
- And 500°F (260°C) intermittent use

### USE:

- Connector for thermocouple K

### KEY POINTS :

- Easy implementation : rapid and dependable connections,
- Bonding prongs,
- Reliable connections,
- Profitable.

### SPECIFICATIONS :

- Green color.
- Connector bodies are molded from glass-filled thermoset compounds (will not melt) for high strength and dependability.
- Polarized pins and double-wipe inserts / virtually impossible to mismatch.

Type	Connector (+) Positive T/C Alloy	Connector (-) Negative T/C Alloy	Shield Terminal Alloy	IEC Color Code
<b>K</b>	Chromel	Alumel	Copper	<b>Green</b>

### DIMENSIONS : see drawing above

- Miniature : L = 22 mm ; l = 19.8 mm ; E = 7.9 mm

### Other related articles: Cable clamp 334-6416

type	J	K
Plug	334-2739 	334-2723 On this page
	334-2767 	334-2751 
Jack		