



# Datasheet

## RS PRO Enclosures for power supplies

Stock number: 2006686

EN



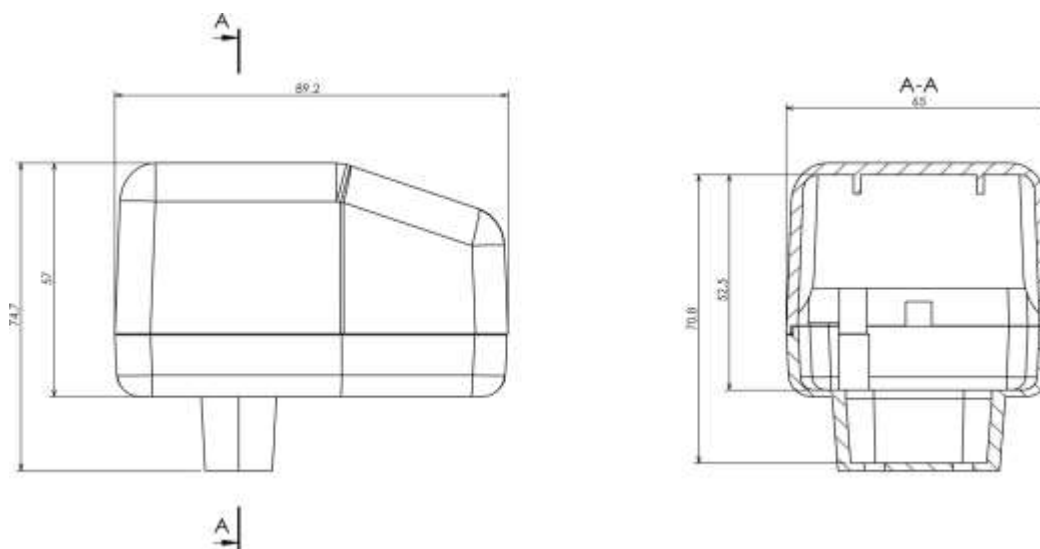
## Product Details

Enclosure for power supplies. Enclosure is ventilated for better air circulation it provides IP20 and IK04 rating it is ideal for applications that doesn't require hermetic seal.

## Features and Benefits

- Made of ABS
- Available in light gray color
- Protection against liquids and solid objects: IP20 rating
- Shock protection level: IK04 rating
- Supplied with screws and electric pins
- Sleeve for cable protection

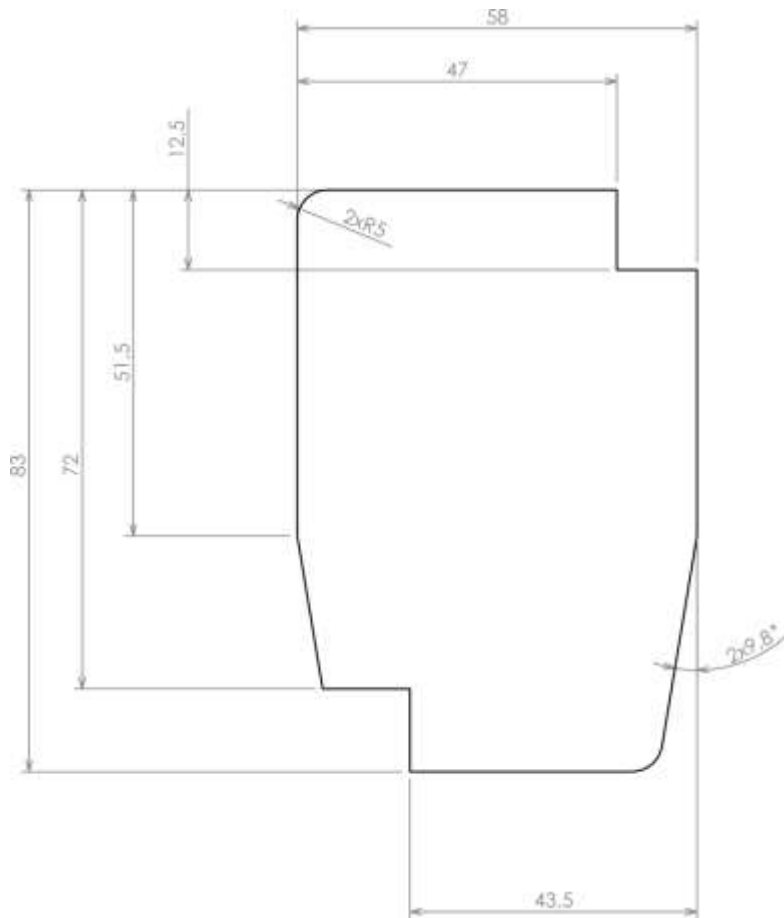
[rspro.com](http://rspro.com)



Category	Enclosures for power supplies
Type	Ventilated
Material	ABS
Option	Without gasket
Height	57.0 mm
Width	65.0 mm
Length	89.0 mm
Colour	Light gray
Protection level	IP20
Property class	IK04
Standards Met	RoHS Compliant
Accessories	Sleeve $\phi 7$ : 1.0 pcs Screw 3/30: 2.0 pcs Pin: 1.0 pcs
Certificate number	CE/031/18



## Max PCB size



Dashed line shows outline of the mounting boss under PCB board  
Recommended mounting holes diameter  $\varnothing 3,5\text{mm}$   
All dimensions are given within  $\pm 0,5\text{mm}$  tolerance