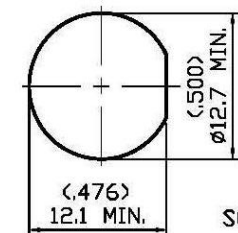
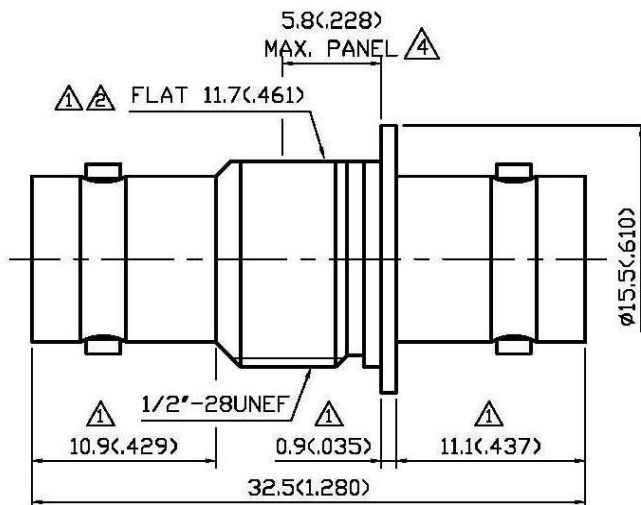
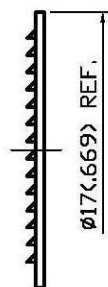
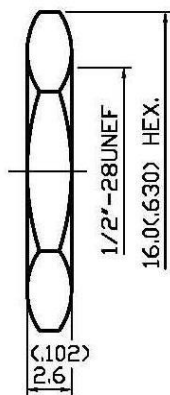


NO	DESCRIPTION	DATE
1	10.8 → 11.1, 10.8 → 10.9 1.20 → 0.9 CHANGE THE DIRECTION OF FLAT	05.19.02'
2	FLAT 11.9 → FLAT 11.7	11.13.02'
3	BACKGROUND FORMAT UPDATED	09.04.08'
4	WORKING VOLTAGE → VOLTAGE RATING DEL PROOF VOLTAGE ADD 5.8 MAX. PANEL	07.09.14'



SCALE 2:1
MOUNTING HOLE

1.0 ELECTRICAL

- 1.1 FREQUENCY RANGE: DC-1 GHz
- 1.2 NOMINAL IMPEDANCE: 75 OHMS
- 1.3 VOLTAGE RATING: 500 VOLTS MAX. 4

2.0 MATERIALS

- 2.1 BODIES: BRASS PER JIS-C3604
- 2.2 CENTER CONTACT: BRASS PER JIS-C3804
- 2.3 INSULATION: TEFLON PER ASTM D1457 AND ASTM D1710

3.0 FINISHES AND OTHERS

- 3.1 SEE BELOW TABLE FOR DETAILS.

4.0 ENVIRONMENTAL

- 4.1 OPERATING TEMPERATURE RANGE: -65° C TO +165° C

APPROVED

by _____ DATE: _____

NO	DESCRIPTION	MATERIAL	Q'TY	FINISH
6	INSULATION	TEFLON	1	NONE
5	CENTER CONTACT	BRASS	1	GOLD
4	BODY	BRASS	1	NICKEL 100 μ" MIN.
3	WASHER	BRASS	1	NICKEL
2	WASHER	STEEL	1	NICKEL
1	NUT	BRASS	1	NICKEL



DESCRIPTION		STRAIGHT BNC BULKHEAD JACK-JACK ADAPTER							
製圖	DRAWN	TOLERANCE	品名	13-29-1	T.G.N	日期	01.13.95'	版次	REV.
	Yoko			\			ROHS COMPLIANT <75Ω>		
檢圖	CHECK	.X ±0.2	TITLE						
	Arc	.XX ±0.1	單位	mm(in)	DWG.NO.	13-0297			
認定	APPROVAL	.XXX ±0.05	比例						
	Angela	ANGLE ±5°	SCALE	3:1					