



Datasheet

RS PRO Female XLR to Female XLR Coupler, Metal

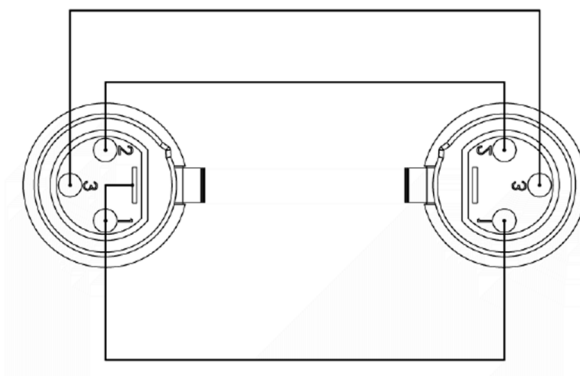
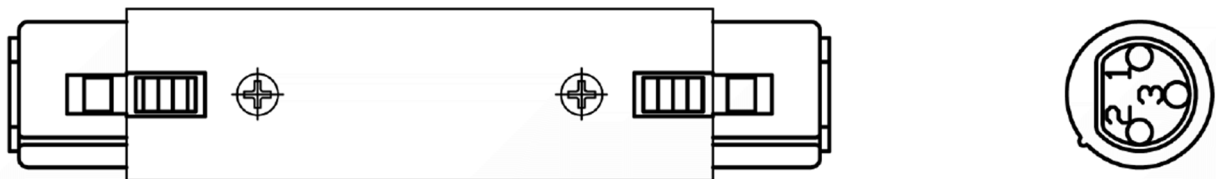
Stock number: 192-4475

EN

The RS PRO female XLR to female XLR coupler is a metal adapter which has a three pin male XLR connector on each side.

The pins are gold plated which helps with anti-corrosion and ensures a good connection for better audio quality.

XLR cables are generally used for sound, video and lighting equipment. An adapter such as this could be used to join two male cables together.



RoHS / REACH / CE