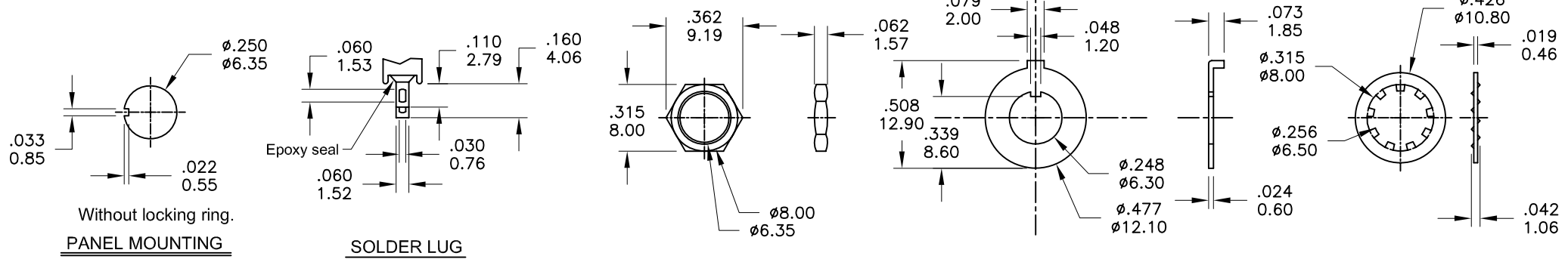


Model No.	POS.1	POS.2	POS.3
2MS3	ON	OFF	ON
Term. Comm.	2-3	OPEN	2-1
SCHEMATIC			

SWITCH FUNCTION



SPECIFICATIONS

MECHANICAL LIFE: 30,000 make-and-break cycles.
CONTACT RESISTANCE: 20mΩ max. initial @ 2-4VDC
 100mA for both silver and gold plated contacts.
INSULATION RESISTANCE: 1,000MΩ min.
DIELECTRIC STRENGTH: 1,000 V RMS@sea level.
OPERATING TEMPERATURE: -30°C to 85°C.

MATERIALS

CASE - Diallyl phthalate(DAP)(UL94V-0)
ACTUATOR - Brass,chrome plated
BUSHING - Brass,nickel plated
HOUSING - Stainless Steel
SWITCH SUPPORT - Brass,tin plated.
TERMINALS/CONTACT - Brass, with Silver or gold plated.
ROHS - 2002/95/EC

RATING :

R : 0.4 Volt-Amps(VA) max. @20V max.(AC or DC)
 Q : 1Amp @250VAC
 3Amps @120 VAC or 28 VDC

RS Article #394443

TITLE 圖名	Sub - Miniature Toggle Switches		SIZE 圖紙	A4
DWG NO. 圖號			UNIT 單位	inch mm
REV. 版本	A	DATE 日期	MAY - 15 - 2007	SHEET 張數
CHECKED BY 審核	RICHARD		DRAWN BY 製圖	FION

符號	原尺寸	修改後尺寸	變更日期	SCALE (比例): 3:2
1 (A)				TOLERANCE (公差): 0.00 mm ± 0.25mm 0.0 mm ± 0.40mm ANGULAR : ± 5° FILE NAME : 2MSP0412
2 (B)				
3 (C)				
4 (D)				
5 (E)				