
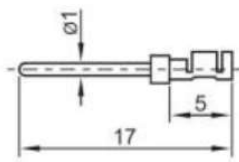

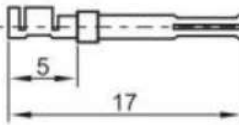

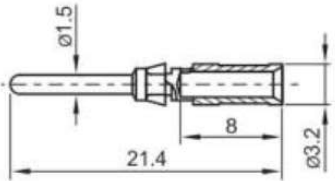

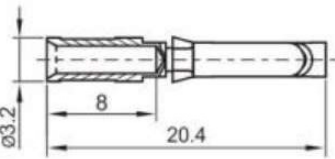


Circular Connector Contact multicomp^{PRO}

**RoHS
Compliant**

Specification Table

		5A Male Crimp contact	Stamped contact Contact diameter: $\varnothing 1$ Material : Brass with gold plating Contact resistance: 5m Ω
		5A Female Crimp contact	
		10A Male Crimp contact	Machined contact Contact diameter: $\varnothing 1.5$ Material : Brass with gold plating Contact resistance: 2.5m Ω
		10A Female Crimp contact	

Part Number Table

Part Number	Description
MP007603	Male Stamped Crimp Contact, 5A, 24-20AWG
MP007604	Female Stamped Crimp Contact, 5A, 24-20AWG
MP007605	Male Machined Crimp Contact, 10A, 26-22AWG
MP007606	Male Machined Crimp Contact, 10A, 20AWG
MP007607	Male Machined Crimp Contact, 10A, 18AWG
MP007608	Male Machined Crimp Contact, 10A, 16AWG
MP007609	Female Machined Crimp Contact, 10A, 26-22AWG
MP007610	Female Machined Crimp Contact, 10A, 20AWG
MP007611	Female Machined Crimp Contact, 10A, 18AWG
MP007612	Female Machined Crimp Contact, 10A, 16AWG

Important Notice : This data sheet and its contents (the "Information") belong to the members of the AVNET group of companies (the "Group") or are licensed to it. No licence is granted for the use of it other than for information purposes in connection with the products to which it relates. No licence of any intellectual property rights is granted. The Information is subject to change without notice and replaces all data sheets previously supplied. The Information supplied is believed to be accurate but the Group assumes no responsibility for its accuracy or completeness, any error in or omission from it or for any use made of it. Users of this data sheet should check for themselves the Information and the suitability of the products for their purpose and not make any assumptions based on information included or omitted. Liability for loss or damage resulting from any reliance on the Information or use of it (including liability resulting from negligence or where the Group was aware of the possibility of such loss or damage arising) is excluded. This will not operate to limit or restrict the Group's liability for death or personal injury resulting from its negligence. Multicomp Pro is the registered trademark of Premier Farnell Limited 2019.

Newark.com/multicomp-pro
 Farnell.com/multicomp-pro
 Element14.com/multicomp-pro

multicomp^{PRO}