

## Datasheet

# RS PRO RS-H32A Heavy Duty Housing



The RS PRO Heavy-Duty Connector series is a full range of heavy-duty inserts, housings, crimps and accessories. The housing is produced from corrosion resistant, powder coated, die cast Aluminium with locking levers made from galvanized Iron. These are available in standard or tall variations with both single and double locking options and offer IP65 protection. Created for applications that are subjected to harsh environments or where high vibration can cause standard connectors to fail makes these connectors ideal for food & beverage manufacturing, packaging machines, conveyor belt systems, railway, oil & gas processing and other industrial automation. The entire range of connectors are RoHS compliant and as with all RS PRO products, offer exceptional value for money.

## Features & Benefits:

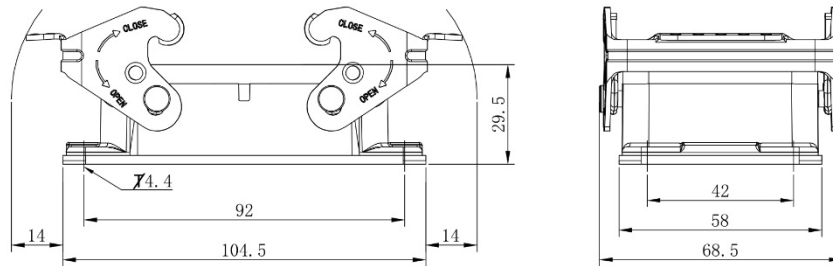
- Aluminium Die Cast Housing
- Powder Coated Surface
- IP65
- For use with PG or M style Cable Glands
- Fits RS PRO Heavy Duty Inserts

## Quality Standards



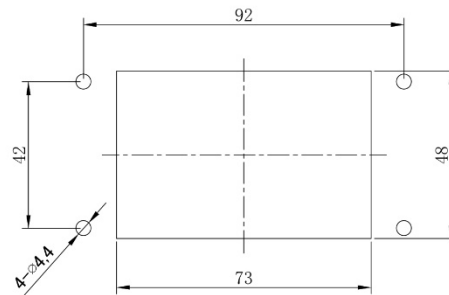
# Dimensional line drawings

## Bulkhead Mount 2 Locking Levers 208-4103

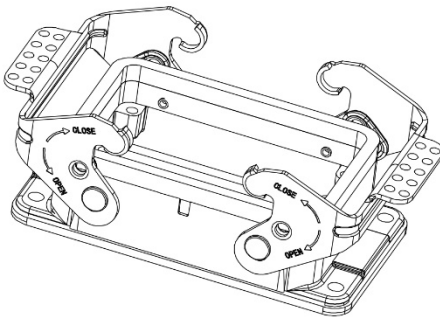


### Technical specification:

- Material: Aluminium die-cast
- Surface: powder-coated
- Colour: (grey)
- Temperature range:
  - 40°C - +125°C
- Degree of Protection: IP65  
(acc.to IEC 60529 for coupled connector)
- Locking element:
  - locking type: Double locking latch
  - material: metal galvanized/nickel plating
- Cable entry: bottom entry
- Hoods/Housings sealing: NBR

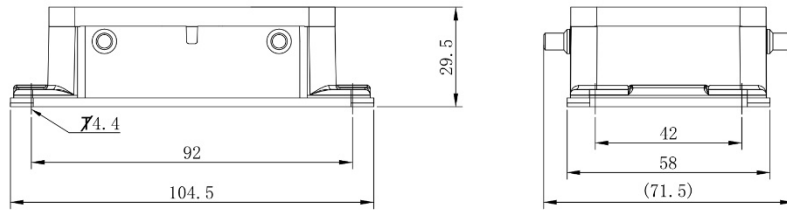


Panel cut out

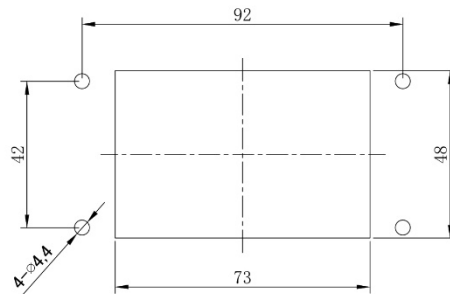


# Dimensional line drawings

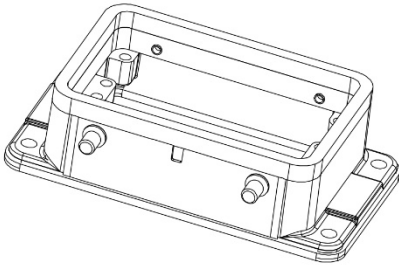
## Bulkhead Mount 4 locking Points 208-4104



- Technical specification:
- Material: Aluminium die-cast
  - Surface: powder-coated
  - Colour: (grey)
  - Temperature range: -40°C – +125°C
  - Degree of Protection: IP65  
(acc.to IEC 60529 for coupled connector)
  - Cable entry: bottom entry
  - Hoods/Housings sealing: NBR

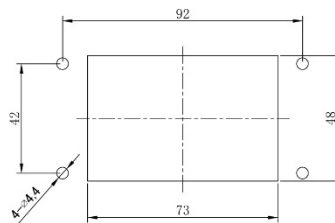
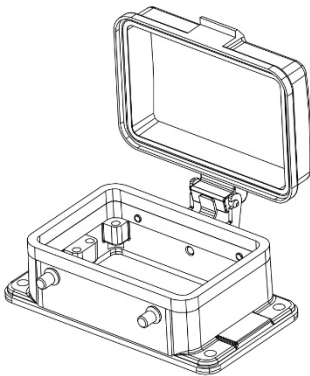
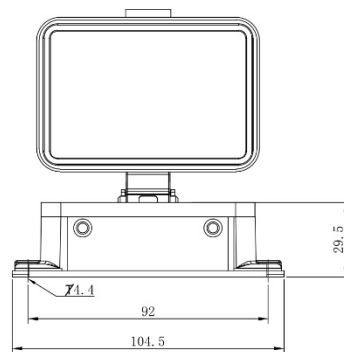
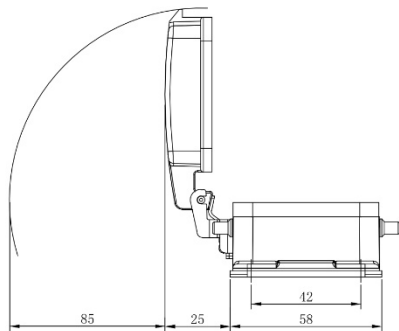


Panel cut out



## Dimensional line drawings

### Bulkhead Mount 4 locking Points with Plastic Cover 208-4105



Panel cut out

#### Technical specification:

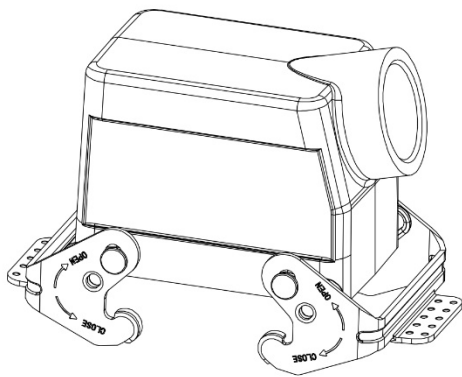
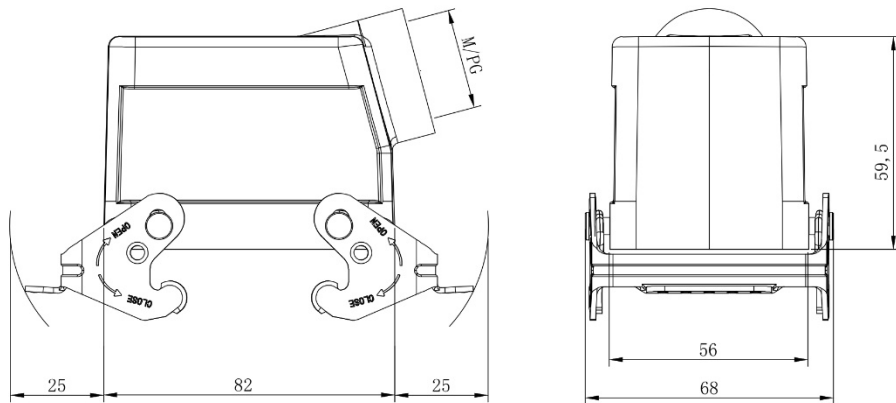
- Material: Aluminium die-cast
- Material, cover: PC
- Surface: powder-coated
- Colour: (grey)
- Temperature range:
  - 40°C - +125°C
- Degree of Protection: IP65  
(acc.to IEC 60529 for coupled connector)
- Cable entry: bottom entry
- Hoods/Housings sealing: NBR

## Dimensional line drawings

### Side Entry Hood 2 Locking Levers

M25 = 208-4106

PG21 = 208-4107



#### Technical specification:

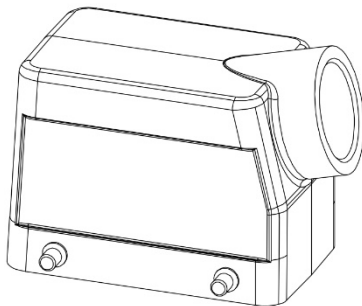
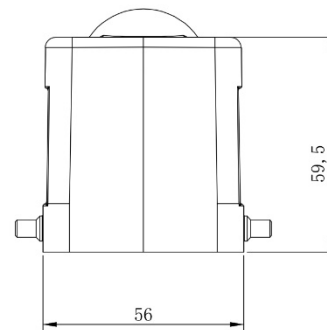
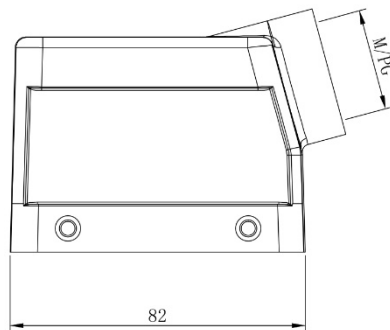
- Material: Aluminium die-cast
- Surface: powder-coated
- Colour: (grey)
- Temperature range:
  - 40°C - +125°C
- Degree of Protection: IP65  
(acc.to IEC 60529 for coupled connector)
- Locking element:
  - locking type: Double locking latch
  - material: metal galvanized/nickel plating
- Cable entry: side entry
- No. of cable entries: 1
- Thread size: M/PG

## Dimensional line drawings

### Side Entry Hood 4 Locking Points

M25 = 208-4108

PG21 = 208-4109



#### Technical specification:

- Material: Aluminium die-cast
- Surface: powder-coated
- Colour: (grey)
- Temperature range:
  - 40°C - +125°C
- Degree of Protection: IP65  
(acc.to IEC 60529 for coupled connector)
- Cable entry: side entry
- No. of cable entries: 1
- Thread size: M/PG

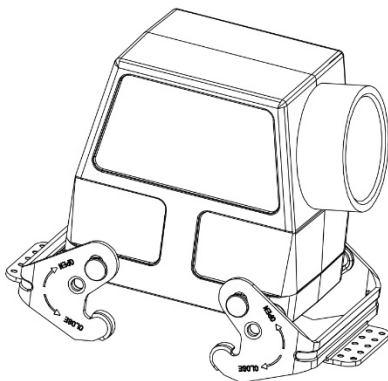
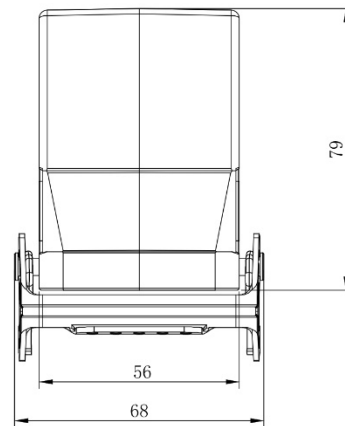
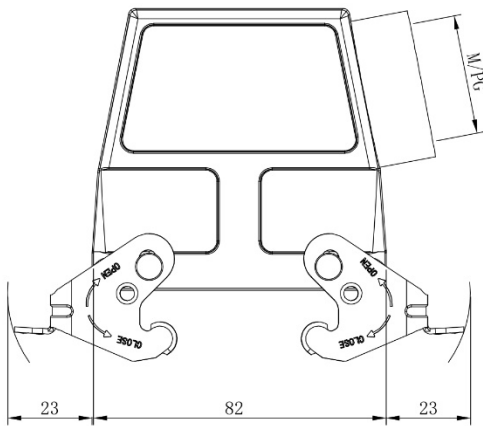
## Dimensional line drawings

### Side Entry High Hood 2 Locking Levers

M32 = 208-4110

PG21 = 208-4111

PG29 = 208-4112



#### Technical specification:

- Material: Aluminium die-cast
- Surface: powder-coated
- Colour: (grey)
- Temperature range:
  - 40°C - +125°C
- Degree of Protection: IP65  
(acc.to IEC 60529 for coupled connector)
- Locking element:
  - locking type: Double locking latch
  - material: metal galvanized/nickel plating
- Cable entry: side entry
- No. of cable entries: 1
- Thread size: M/PG



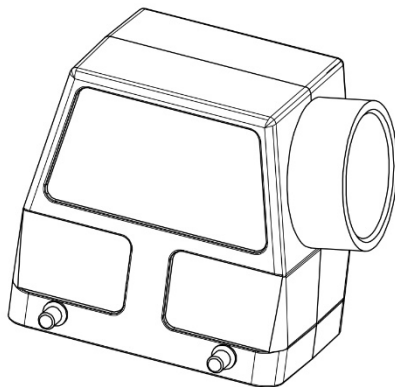
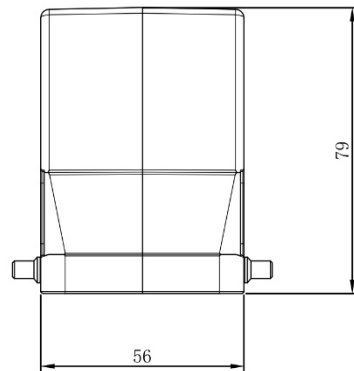
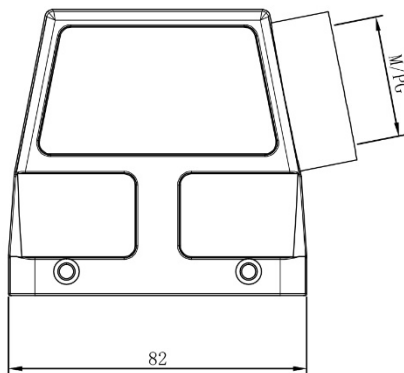
## Dimensional line drawings

### Side Entry High Hood 4 Locking Points

M32 = 208-4113

PG21 = 208-4114

PG29 = 208-4115



#### Technical specification:

- Material: Aluminium die-cast
- Surface: powder-coated
- Colour: (grey)
- Temperature range:
  - 40°C - +125°C
- Degree of Protection: IP65  
(acc.to IEC 60529 for coupled connector)
- Cable entry: side entry
- No. of cable entries: 1
- Thread size: M/PG

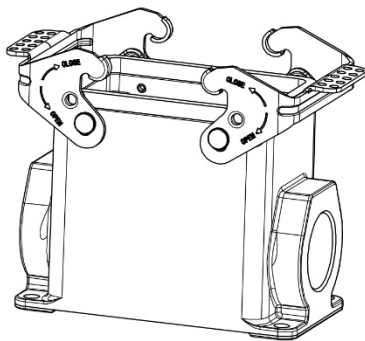
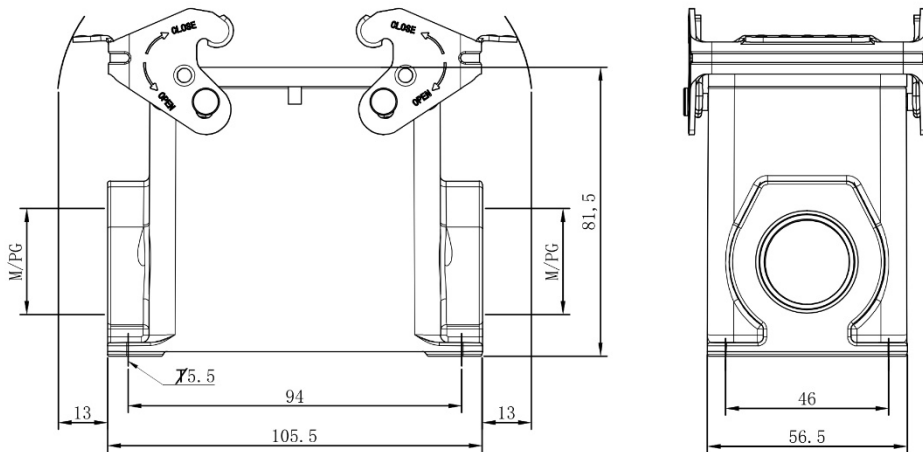
## Dimensional line drawings

### Surface Mount 2 Locking Levers 2 Cable Openings

2xM32 = 208-4116

2xPG21 = 208-4118

2xPG29 = 208-4119



#### Technical specification:

- Material: Aluminium die-cast
- Surface: powder-coated
- Colour: (grey)
- Temperature range:
  - 40 °C - +125 °C
- Degree of Protection: IP65  
(acc.to IEC 60529 for coupled connector)
- Locking element:
  - locking type: Double locking latch
  - material: metal galvanized/nickel plating
- Cable entry: side entry
- No. of cable entries: 2
- Thread size: M/PG
- Hoods/Housings sealing: NBR

## Dimensional line drawings

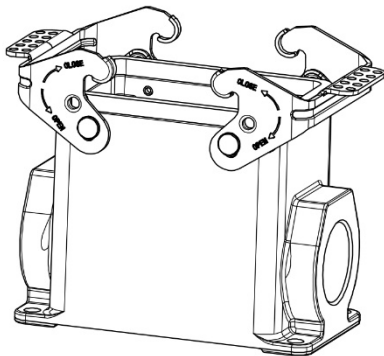
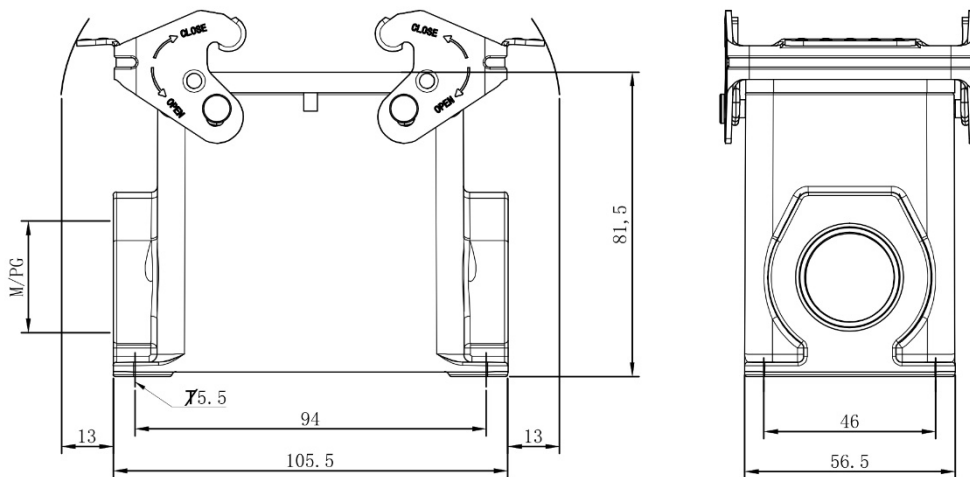
### Surface Mount 2 Locking Levers Single Cable Opening

M25 = 208-4120

M32 = 208-4121

PG21 = 208-4122

PG29 = 208-4123



#### Technical specification:

- Material: Aluminium die-cast
- Surface: powder-coated
- Colour: (grey)
- Temperature range:
  - 40°C - +125°C
- Degree of Protection: IP65  
(acc.to IEC 60529 for coupled connector)
- Locking element:
  - locking type: Double locking latch
  - material: metal galvanized/nickel plating
- Cable entry: side entry
- No. of cable entries: 1
- Thread size: M/PG
- Hoods/Housings sealing: NBR

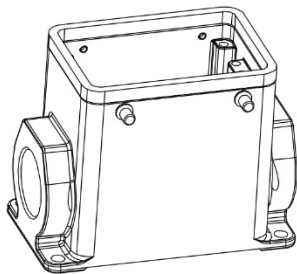
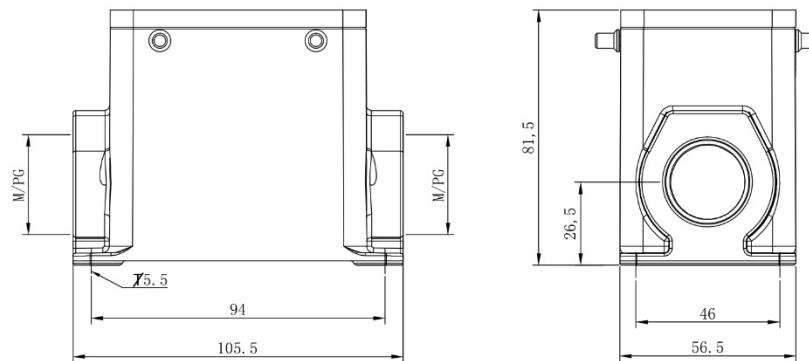
## Dimensional line drawings

### Surface Mount 4 Locking Points 2 Cable Openings

2xM32 = 208-4124

2xPG21 = 208-4125

2xPG29 = 208-4126



#### Technical specification:

- Material: Aluminium die-cast
- Surface: powder-coated
- Colour: (grey)
- Temperature range:
  - 40°C - +125°C
- Degree of Protection: IP65  
(acc.to IEC 60529 for coupled connector)
- Cable entry: side entry
- No. of cable entries: 2
- Thread size: M/PG
- Hoods/Housings sealing: NBR

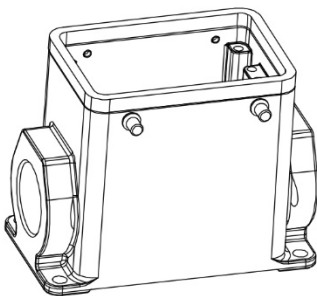
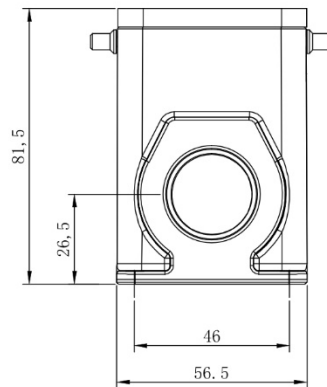
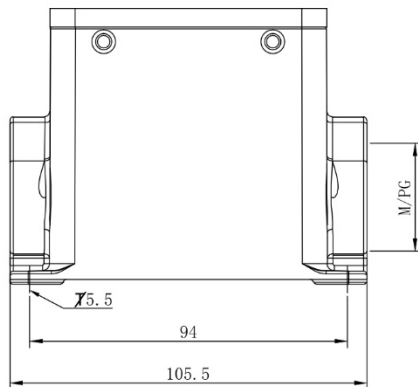
## Dimensional line drawings

### Surface Mount 4 Locking Points Single Cable Opening M25 = 208-4134

M32 = 208-4135

PG21 = 208-4136

PG29 = 208-4137



#### Technical specification:

- Material: Aluminium die-cast
- Surface: powder-coated
- Colour: (grey)
- Temperature range:
  - 40°C – +125°C
- Degree of Protection: IP65  
(acc.to IEC 60529 for coupled connector)
- Cable entry: side entry
- No. of cable entries: 1
- Thread size: M/PG
- Hoods/Housings sealing: NBR

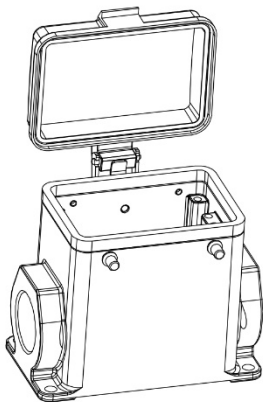
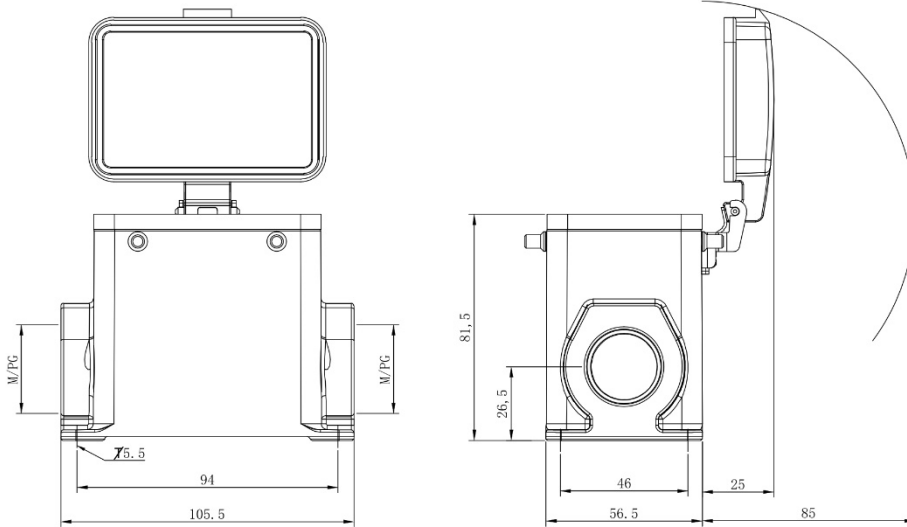
## Dimensional line drawings

### Surface Mount 4 Locking Points 2 Cable Openings with Plastic Cover

2xM32 = 208-4127

2xPG21 = 208-4128

2xPG29 = 208-4129



#### Technical specification:

- Material: Aluminium die-cast
- Material, cover: PC
- Surface: powder-coated
- Colour: (grey)
- Temperature range:
  - 40°C - +125°C
- Degree of Protection: IP65  
(acc.to IEC 60529 for coupled connector)
- Cable entry: side entry
- No. of cable entries: 2
- Thread size: M/PG
- Hoods/Housings sealing: NBR

## Dimensional line drawings

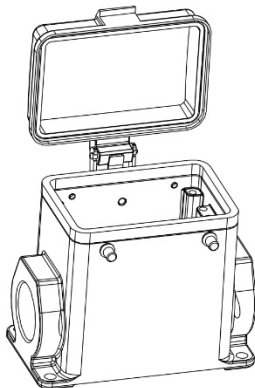
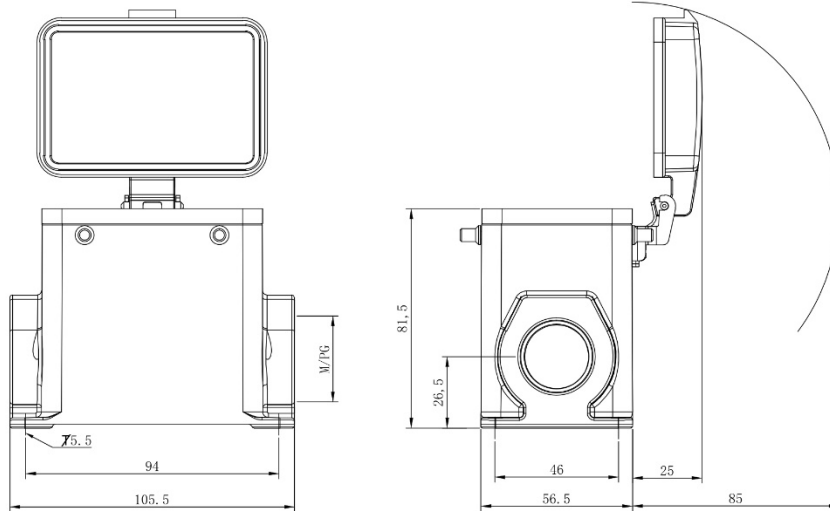
### Surface Mount 4 Locking Points Single Cable Opening with Plastic Cover

M25 = 208-4130

M32 = 208-4131

PG21 = 208-4132

PG29 = 208-4133



#### Technical specification:

- Material: Aluminium die-cast
- Material, cover: PC
- Surface: powder-coated
- Colour: (grey)
- Temperature range:
  - 40°C - +125°C
- Degree of Protection: IP65  
(acc.to IEC 60529 for coupled connector)
- Cable entry: side entry
- No. of cable entries: 1
- Thread size: M/PG
- Hoods/Housings sealing: NBR

## Dimensional line drawings

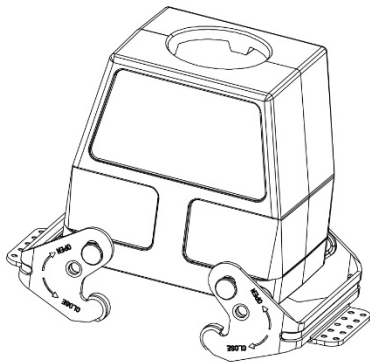
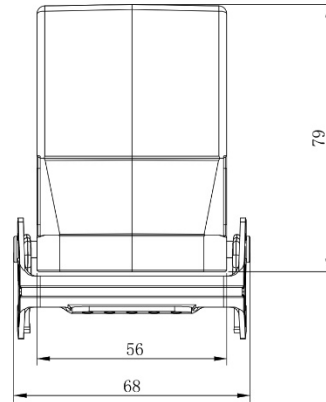
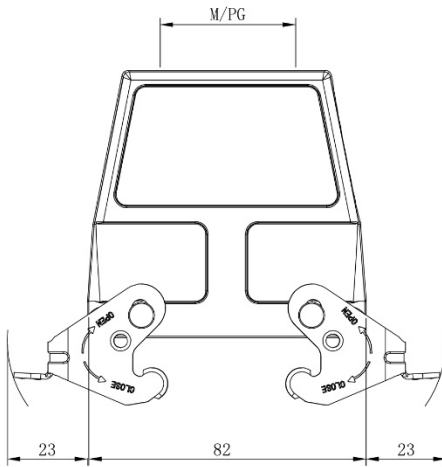
### Top Entry High Hood 2 Locking Levers

M25 = 208-4138

M32 = 208-4140

PG21 = 208-4141

PG29 = 208-4142



#### Technical specification:

- Material: Aluminium die-cast
- Surface: powder-coated
- Colour: (grey)
- Temperature range:
  - 40°C - +125°C
- Degree of Protection: IP65  
(acc.to IEC 60529 for coupled connector)
- Locking element:
  - locking type: Double locking latch
  - material: metal galvanized/nickel plating
- Cable entry: top entry
- No. of cable entries: 1
- Thread size: M/PG



## Dimensional line drawings

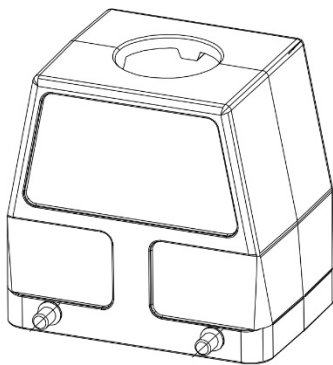
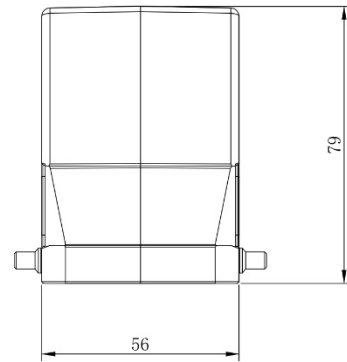
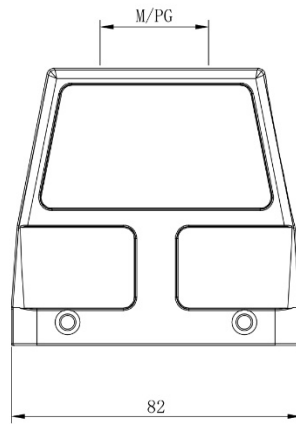
### Top Entry High Hood 4 Locking Points

M25 = 208-4143

M32 = 208-4144

PG21 = 208-4146

PG29 = 208-4147



- Technical specification:
- Material: Aluminium die-cast
  - Surface: powder-coated
  - Colour: (grey)
  - Temperature range:  
-40°C - +125°C
  - Degree of Protection: IP65  
(acc.to IEC 60529 for coupled connector)
  - Cable entry: top entry
  - No. of cable entries: 1
  - Thread size: M/PG