

FEATURES

- Straight body UHF connector
- Cable mounting
- Non-constant characteristic impedance of 50Ω
- Operating frequency of 300MHz
- Features a convenient screw-on coupling mechanism
- Normal polarity
- Beryllium copper contact material for optimal strength and performance

RS PRO 50Ω Straight Cable Mount UHF Connector, jack

RS Stock No.: 546-2627



RS Professionally Approved Products bring to you professional quality parts across all product categories. Our product range has been tested by engineers and provides a comparable quality to the leading brands without paying a premium price.

Product Description

This female cable-mount UHF connector from the RS PRO range is a standard-sized radio-frequency (RF) connector that's used to join coaxial cables together.

UHF connectors are common in the radio industry as they're easy to assemble. Their solderable screw-on termination method requires nothing more than a cable stripping tool and a soldering iron.

General Specifications

Coaxial Connector Type	UHF Connector
Gender	Female
Mounting Type	Cable Mount
Termination Method	Solder
Body Orientation	Straight
Cable Type	RG58/U
Size	Standard
Bulkhead	Yes
Body Plating	Silver
Contact Material	Beryllium Copper
Contact Plating	Silver
Body Material	Brass
Insulation Material	Teflon
Applications	Antennas; Industrial; Wireless; Broadband; Military

Electrical Specifications

Impedance	50Ω
Polarity	Normal
Operating Frequency	300MHz
Voltage Rating	500V Max

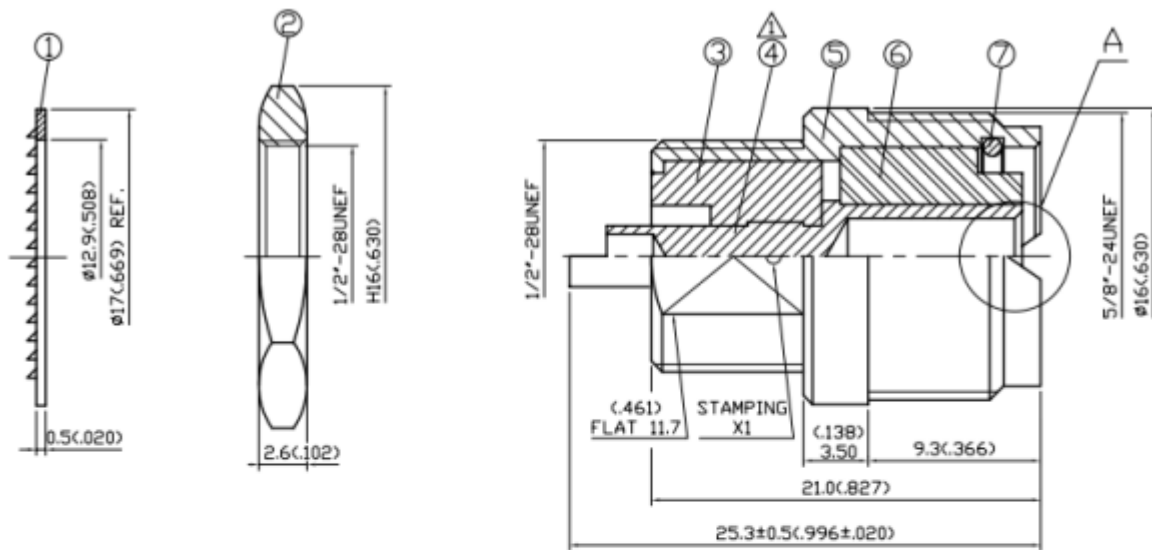
Operation Environment Specifications

Minimum Operating Temperature	-55°C
Maximum Operating Temperature	85°C

Approvals

Standard Met	RoHS Compliant
---------------------	----------------





NOTES: UNLESS OTHERWISE SPECIFIED

1. BODIES: BRASS PER JIS-C3604
2. CENTER CONTACT: BERYLLIUM COPPER PER JIS-C1730B
3. INSULATION: TEFLON PER ASTM D1457 AND ASTM D1710
4. PART TO BE CLEAN AND FREE OF BURRS

7	SPRING WASHER	SW	1	SILVER 70 μ^m MIN.
6	INSULATION	TEFLON	1	NONE
5	BODY	BRASS	1	SILVER 70 μ^m MIN.
4	CENTER CONTACT	BERYLLIUM COPPER	1	SILVER 70 μ^m MIN.
3	INSULATION	TEFLON	1	NONE
2	NUT	BRASS	1	SILVER 70 μ^m MIN.
1	WASHER	IRON	1	SILVER 70 μ^m MIN.
<i>NO</i>	<i>DESCRIPTION</i>	<i>MATERIAL</i>	<i>Q'TY</i>	<i>FINISH</i>