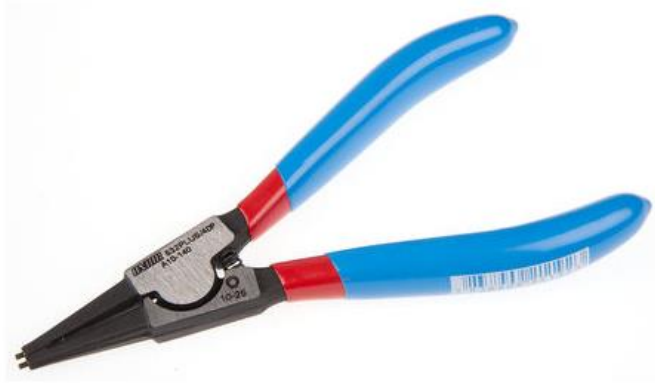


Datasheet

135 mm Chrome Molybdenum Steel Circlip Pliers

RS Stock number 541-6860



Specification

Material:

Chrome molybdenum steel for pliers, spring steel for automatic return function and vinyl dipping handles.

Finish:

Chemical black finish with polish main surface for pliers, red colour handle.

Hardness:

Heat treated to HRC: 45~55 (circlip tip),
HRC: 44~48 (handle) and HRC: 30~48(joint)

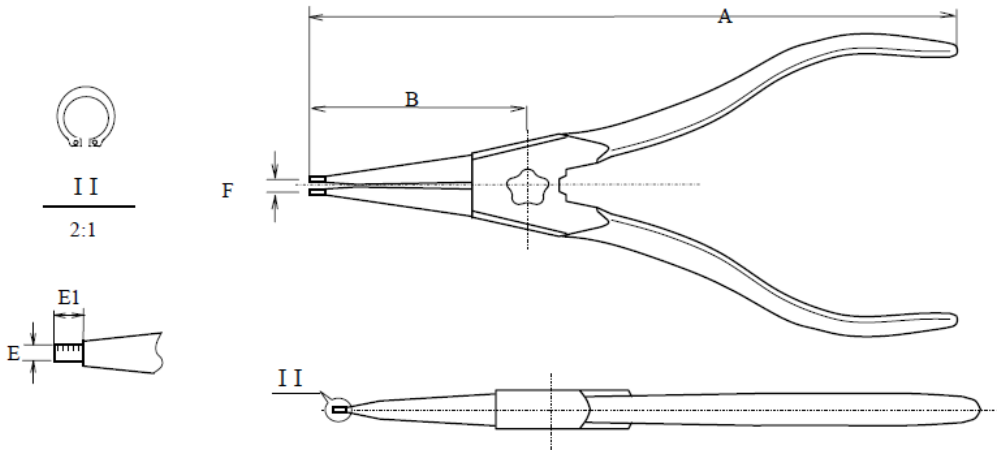
Contents:

1 pc - 5" (133 mm) external straight type, large cylindrical tip circlip pliers with automatic return spring and red colour vinyl dipping grip (diameter of tip – 1.3mm, overall length -133mm, jaw length – 45 mm, circlip seal ring capacity – 8~25 mm)

Remarks:

1. dimensions, handle spin, retaining tests, permanent and humidity meet din-standard. (form a type)

RS Stock No: 541-6860



Inspection item	Specification	Inspection tools
A mm	131±2	Kaliper
B mm	32±2	Kaliper
E mm	1.3±0.3	Kaliper
E1 mm	1.5±0.3	Kaliper
D max	(20.7)	Kaliper