

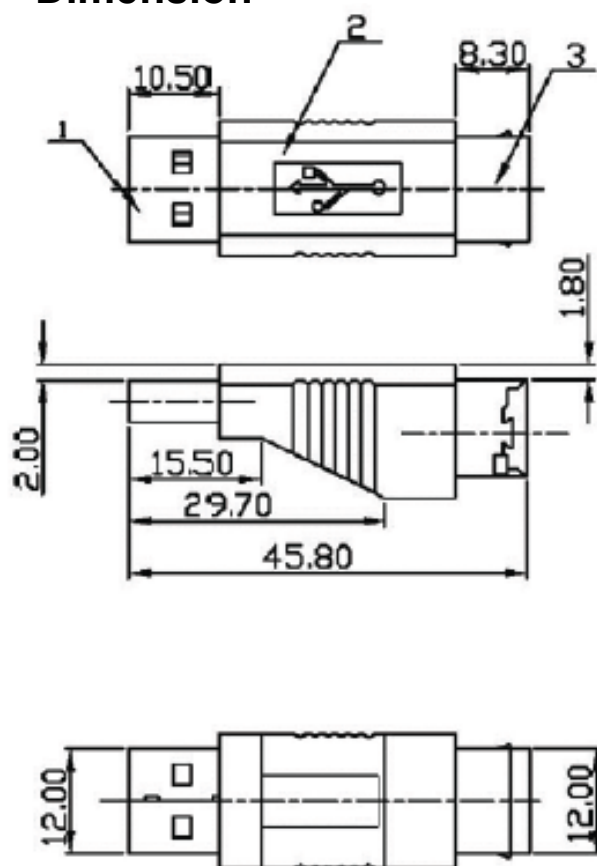
Product Datasheet

# USB A (M) – USB B (F) gender changer 2.0

RS Stock No. 495-5358



### Dimension



### Electronic Test:

1. Open/ Short/ Intermitte: 100%
2. Insulation resistance: 10MΩ
3. Contact resistance: 5Ω
4. Hi-Pot: 300V 10MS

### Package:

1pcs/ PE bag