

Datasheet

ENGLISH

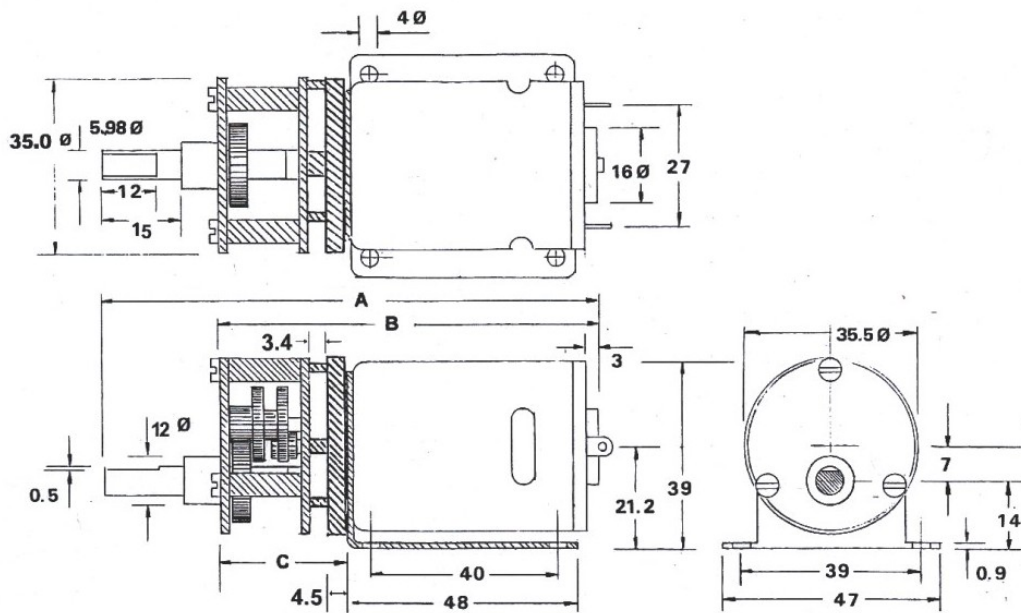
RS PRO, 12 V dc, 1000 gcm, Brushed DC Geared Motor, Output Speed 1318 rpm

Stock No: 238-9664



Specifications:

Output Speed	1318 rpm
Supply Voltage	12 V dc
Maximum Output Torque	1000 g.cm
DC Motor Type	Brushed
Shaft Diameter	6mm
Power Rating	19.8 W
Gearhead Type	Spur
Length	73.2mm
Width	35.5mm
Current Rating	2.81A
Weight	238g



Ratio	A	B	C
11:1	98.2mm	73.2mm	21.2mm

Gearbox Housing material	Metal
Backlash at no-load	< 2°
Bearing at output	Sleeve bearings
Radial load (10mm from flange)	< 1 kgf
Shaft axial load	< 0.7 kgf
Shaft press fit force max	< 20 kgf
Radial play of shaft	< 0.05mm
Thrust play of shaft	< 0.35mm

Reduction Ratio	Rated tolerance Torque	Max momentary Tolerance Torque	Efficiency
1/10	1 kgf-cm Max.	3 kgf-cm	81%

Reduction Table RPM SUPPLY VOLTAGE	4.5v	6v	9v	12v	15v
238-9664	494	659	989	1318	1648

Note: Motor speeds may vary by (+) or (-) 12.5%