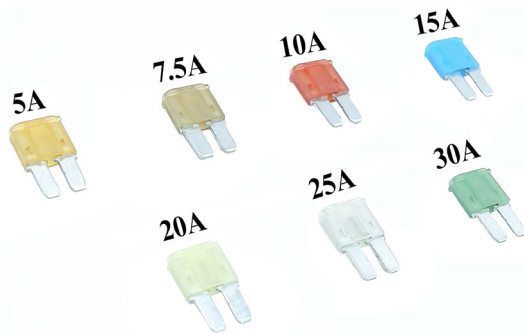


Automotive Fuses

Micro

multicomp^{PRO}

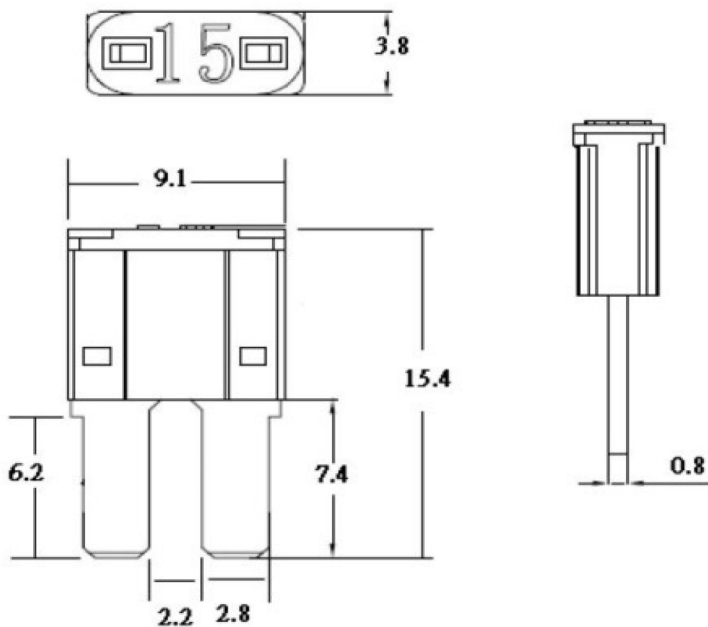
RoHS
Compliant



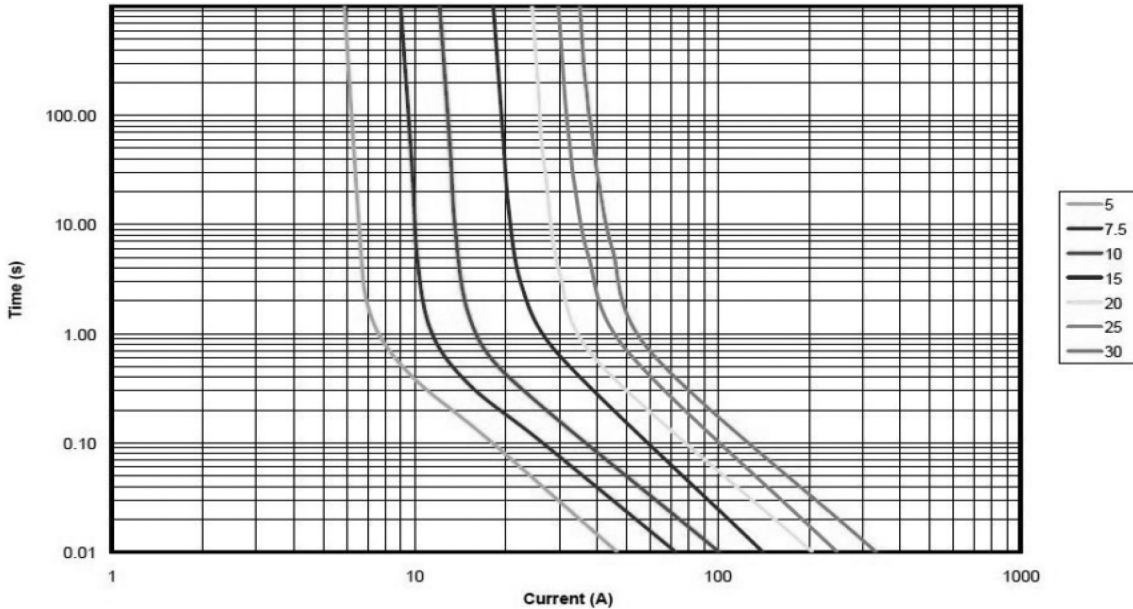
Specification

Operating Temperature Range	: -40°C to +125°C
Metal	: Zine Alloy Strip.
Body	: PA66.

Diagram



Time-Current Characteristic curves



Time-current Characteristics

110% In	100 hours Minimum	200% In	0.15sec to 5sec
135% In	0.75sec to 1800sec	350% In	0.08sec to 0.25sec

Part Number Table

Description	Ampere (A)	Voltage(V DC)	Color Code	Part Number
Micro Fuse	5A	32V	Tan	MP012580
	7.5A		Brown	MP012581
	10A		Red	MP012582
	15A		Blue	MP012583
	20A		Yellow	MP012584
	25A		Natural	MP012585
	30A		Green	MP012586

Important Notice : This data sheet and its contents (the "Information") belong to the members of the AVNET group of companies (the "Group") or are licensed to it. No licence is granted for the use of it other than for information purposes in connection with the products to which it relates. No licence of any intellectual property rights is granted. The Information is subject to change without notice and replaces all data sheets previously supplied. The Information supplied is believed to be accurate but the Group assumes no responsibility for its accuracy or completeness, any error in or omission from it or for any use made of it. Users of this data sheet should check for themselves the Information and the suitability of the products for their purpose and not make any assumptions based on information included or omitted. Liability for loss or damage resulting from any reliance on the Information or use of it (including liability resulting from negligence or where the Group was aware of the possibility of such loss or damage arising) is excluded. This will not operate to limit or restrict the Group's liability for death or personal injury resulting from its negligence. Multicomp Pro is the registered trademark of Premier Farnell Limited 2019.