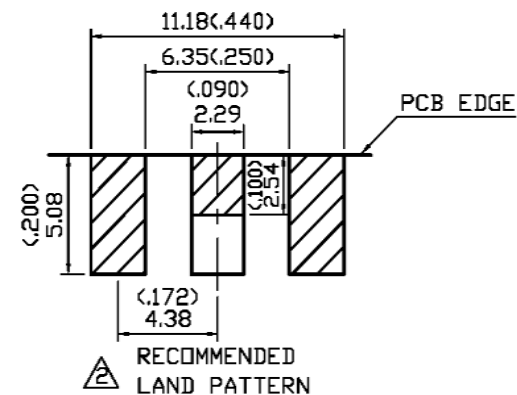
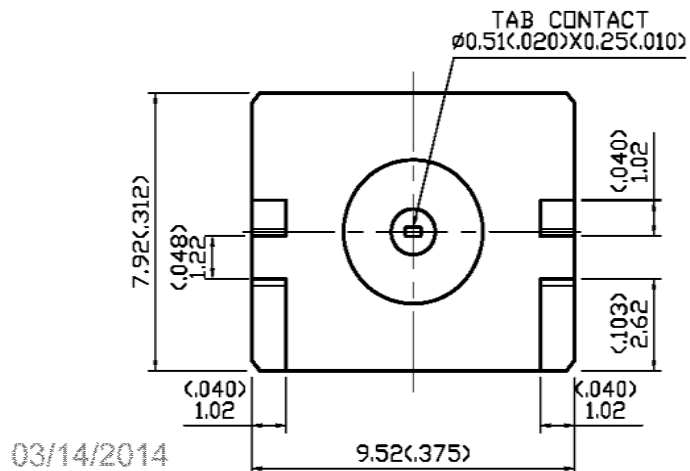
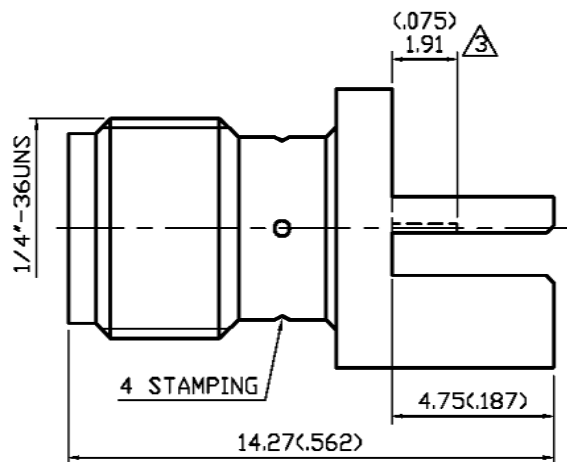


NO	DESCRIPTION	DATE
1	BACKGROUND FORMAT UPDATED	11.17.08'
2	DEL PROOF VOLTAGE WORKING VOLTAGE → VOLTAGE RATING ADD LAND PATTERN	02.05.13'
3	ADD 1.91	03.13.14'



### 1.0 ELECTRICAL

- 1.1 FREQUENCY RANGE: DC-18 GHz
- 1.2 NOMINAL IMPEDANCE: 50 OHMS
- 1.3 VOLTAGE RATING: 500 VOLTS MAX.
- 1.4 VSWR: 1.23 MAX.

### 2.0 MATERIALS

- 2.1 BODIES: BRASS PER JIS-C3604
- 2.2 CENTER CONTACT: BERYLLIUM COPPER PER ASTM B196 UNS C17300
- 2.3 INSULATION: TEFLON PER ASTM D1457 AND ASTM D1710

### 3.0 FINISHES AND OTHERS

- 3.1 SEE BELOW TABLE FOR DETAILS.

### 4.0 MECHANICAL

- 4.1 INTERFACE IN ACCORDANCE WITH: MIL-STD-348A

### 5.0 ENVIRONMENTAL

- 5.1 OPERATING TEMPERATURE RANGE: -85° C TO +165° C

NO	DESCRIPTION	MATERIAL	Q'TY	FINISH
3	INSULATION	TEFLON	1	NONE
2	CENTER CONTACT	BERYLLIUM COPPER	1	GOLD 50μ" MIN.
1	BODY	BRASS	1	GOLD 3μ" MIN.



APPROVED by \_\_\_\_\_ DATE: \_\_\_\_\_

DESCRIPTION		SMA STRAIGHT END LAUNCH JACK RECEPTACLE						
製圖	DRAWN	TOLERANCE	品名	19-70-8 T.G.G	日期	DATE	版次	REV.
	Yoko	X ±0.2	TITLE	\ROHS COMPLIANT <50Ω	08.16.05'			A-3
檢圖	CHECK	XX ±0.1	單位	mm(in)	DWG.NO.	19-0244		
	Arc	XXX ±0.05	比例	SCALE				
認定	APPROVAL	ANGLE ±5°						
	Angela							