

Datasheet

RS PRO FF Series Filter Fans



Product Details

The RS Pro FF series of filter fan are highly efficient fans providing filtration to G4 standards according to DIN EN 779 with a filtering degree of 94%. All filter fans are manufactured from UL listed materials and include silver rather than copper contacts. These filter fans are environmentally sealed to IP54 and have an operating temperature of -40°C to $+70^{\circ}\text{C}$. For additional peace of mind all fans are 100% tested when half-finished and again when fully complete ensuring all fans meet the highest standards.

Features and Benefits

- G4 filter standards acc. to DIN EN 779
- IP54
- Even air flow across surface
- 230V, 115V & 24V variations
- Screw Fixing

Applications

- Control Panels
- Junction Boxes
- Power Distribution
- Automation Equipment
- Welding Machines
- Packing and Labelling Machines

Quality Standards

UK
CA

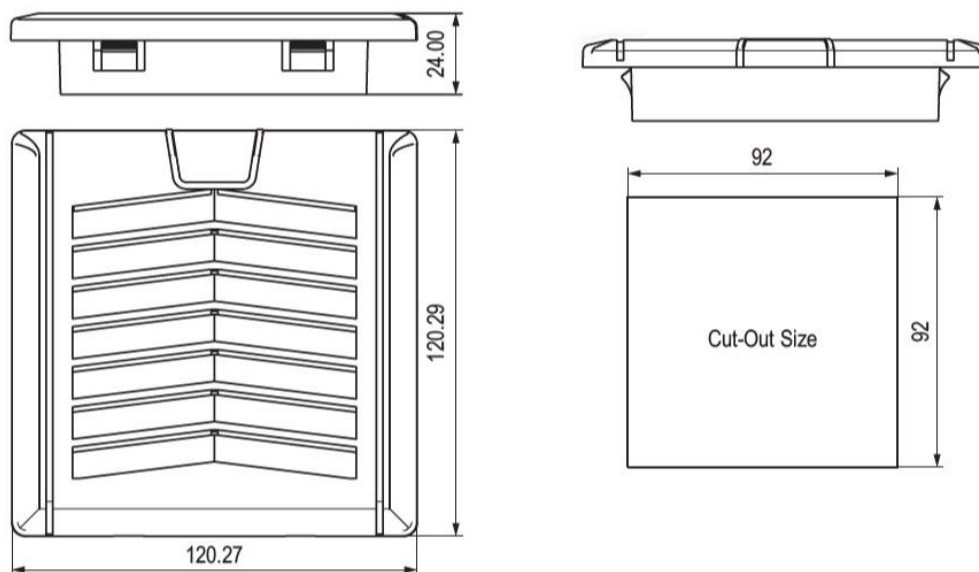
CE



Dimensional line drawings

FF120

Stock Codes : **2364579 & 2364588**



Technical Data

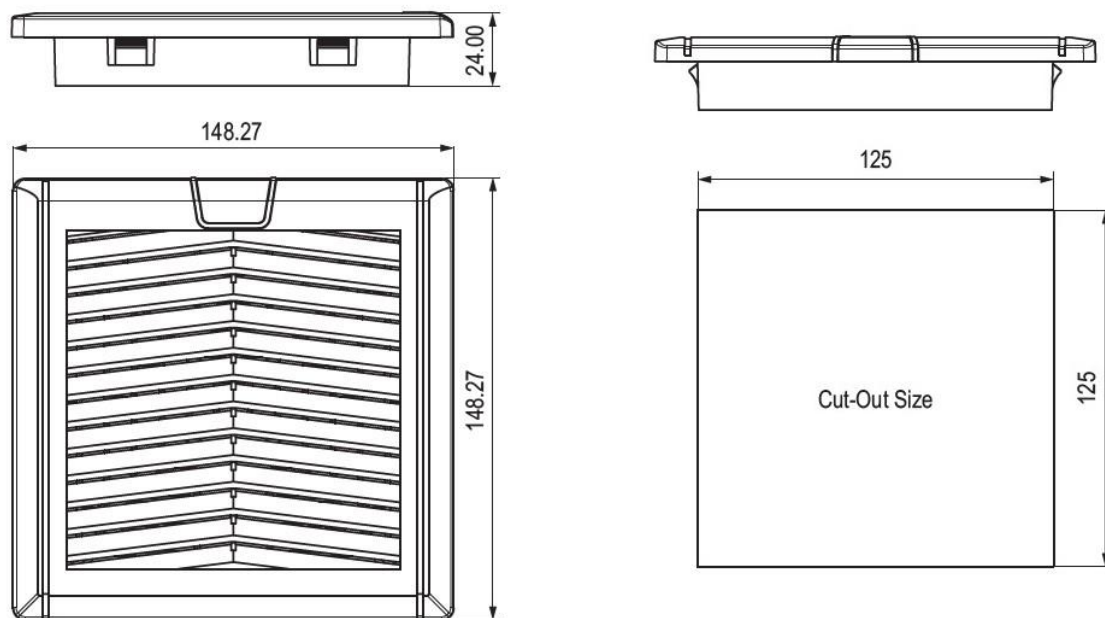
FF120

Axial fan, ball bearing	service life L10 at +40°C (+104°F): min. 50,000h fan body aluminium, rotor metal
Connection	2 stranded wires, 300mm
Enclosure cut-out	92 x 92mm
Mounting frame	Screw Fixing Type, Easy to open the cover
Filter mat	G4 acc. to DIN EN779, filtering degree 94%
Filter material	New ABS material confirm to RoHS, Fireproof or not fireproof can be choose
Operating/Storage temperature	-40 to +70°C (-40 to +158°F)
Operating/Storage humidity	max. 90% RH (non-condensing)
Protection type/Protection class	IP54 / I (earthed)

Dimensional line drawings

FF152

Stock Codes : 2364580, 2364587 & 2364589



Technical Data

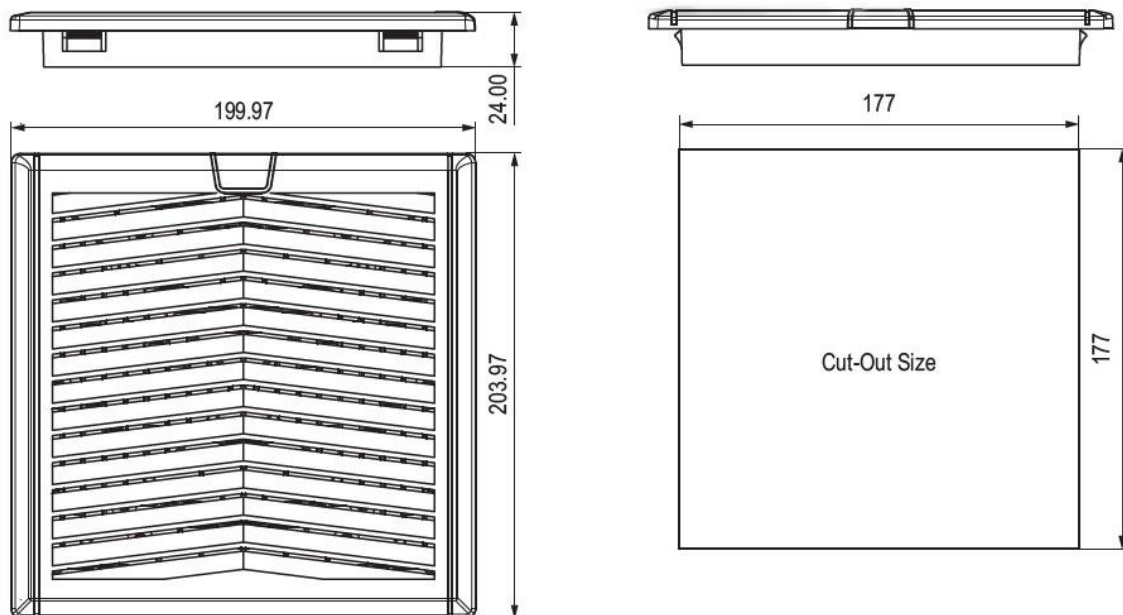
FF152

Axial fan, ball bearing	service life L10 at +40°C (+104°F): min. 37,000 h fan body aluminium, rotor metal
Connection	2 stranded wires, 160mm
Enclosure cut-out	125 x 125mm
Mounting frame	Screw Fixing Type, Easy to open the cover
Filter mat	G4 acc. to DIN EN779, filtering degree 94%
Filter material	New ABS material confirm to RoHS, Fireproof or not fireproof can be choose
Operating/Storage temperature	-40 to +70°C (-40 to +158°F)
Operating/Storage humidity	max. 90% RH (non-condensing)
Protection type/Protection class	IP54 / I (earthed)

Dimensional line drawings

FF204

Stock Codes : **2364581**



Technical Data

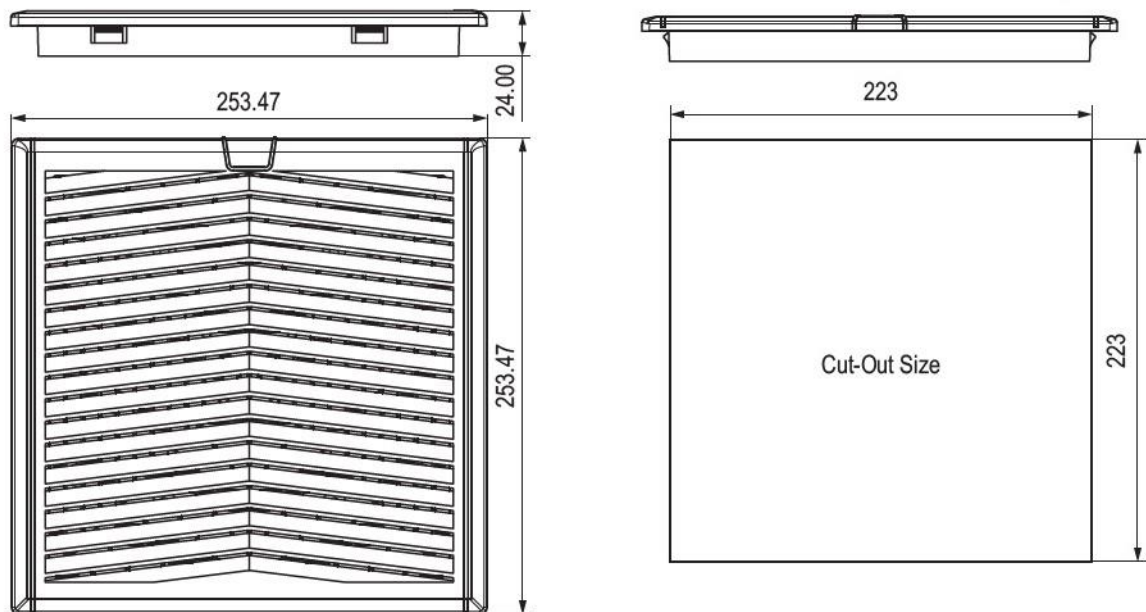
FF204

Axial fan, ball bearing	service life L10 at +40°C (+104°F): min. 65,000h fan body aluminium, rotor metal
Connection	3-pole clamp for 2.5mm ² , clamping torque 0.8Nm max.
Enclosure cut-out	177 x 177mm
Mounting frame	Screw Fixing Type, Easy to open the cover
Filter mat	G4 acc. to DIN EN779, filtering degree 94%
Filter material	New ABS material confirm to RoHS, Fireproof or not fireproof can be choose
Operating temperature	50 Hz: -25 to +50°C (-13 to +122°F), 60 Hz: -25 to +70°C (-13 to +158°F)
Storage temperature	-40 to +70°C (-40 to +158°F)
Operating/Storage humidity	max. 90% RH (non-condensing)
Protection type/Protection class	IP54 / I (earthed)

Dimensional line drawings

FF255

Stock Codes : 2364583 & 2364582



Technical Data

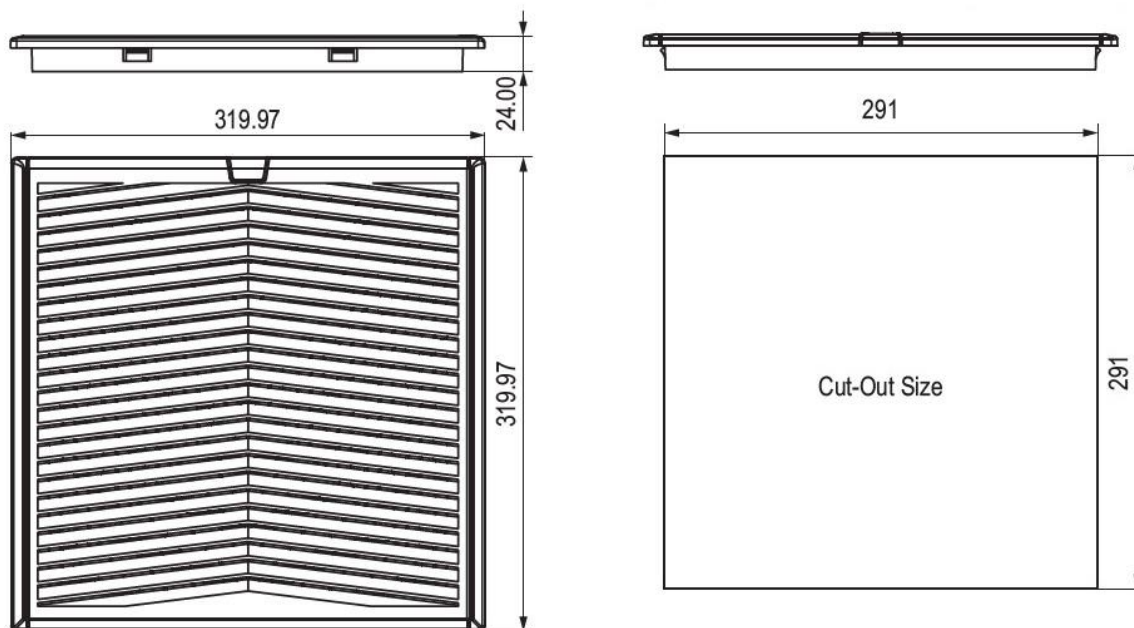
FF255

Axial fan, ball bearing	service life L10 at +40°C (+104°F): min. 56,000h rotor metal
Connection	3-pole clamp for 2.5mm ² , clamping torque 0.8Nm max.
Enclosure cut-out	223 x 223mm
Mounting frame	Screw Fixing Type, Easy to open the cover
Filter mat	G4 acc. to DIN EN779, filtering degree 94%
Filter material	New ABS material confirm to RoHS, Fireproof or not fireproof can be choose
Operating/Storage temperature	-25 to +65°C (-13 to +149°F) / -40 to +70°C (-40 to +158°F)
Operating/Storage humidity	max. 75% RH (non-condensing)
Protection type/Protection class	IP54 / I (earthed)

Dimensional line drawings

FF323

Stock Codes : 2364584 & 2364585



Technical Data

FF323

Axial fan, ball bearing	service life L10 at +40°C (+104°F): min. 56,000h rotor metal
Connection	3-pole clamp for 2.5mm ² , clamping torque 0.8Nm max.
Enclosure cut-out	291 x 291mm
Mounting frame	Screw Fixing Type, Easy to open the cover
Filter mat	G4 acc. to DIN EN 779, filtering degree 94%
Filter material	New ABS material confirm to RoHS, Fireproof or not fireproof can be choose
Operating temperature	50 Hz: -25 to +55°C (-13 to +131°F) 60 Hz: -25 to +35°C (-13 to +95°F)
Storage temperature	-40 to +70°C (-40 to +158°F)
Operating/Storage humidity	max. 75% RH (non-condensing)
Protection type/Protection class	IP54 / I (earthed)