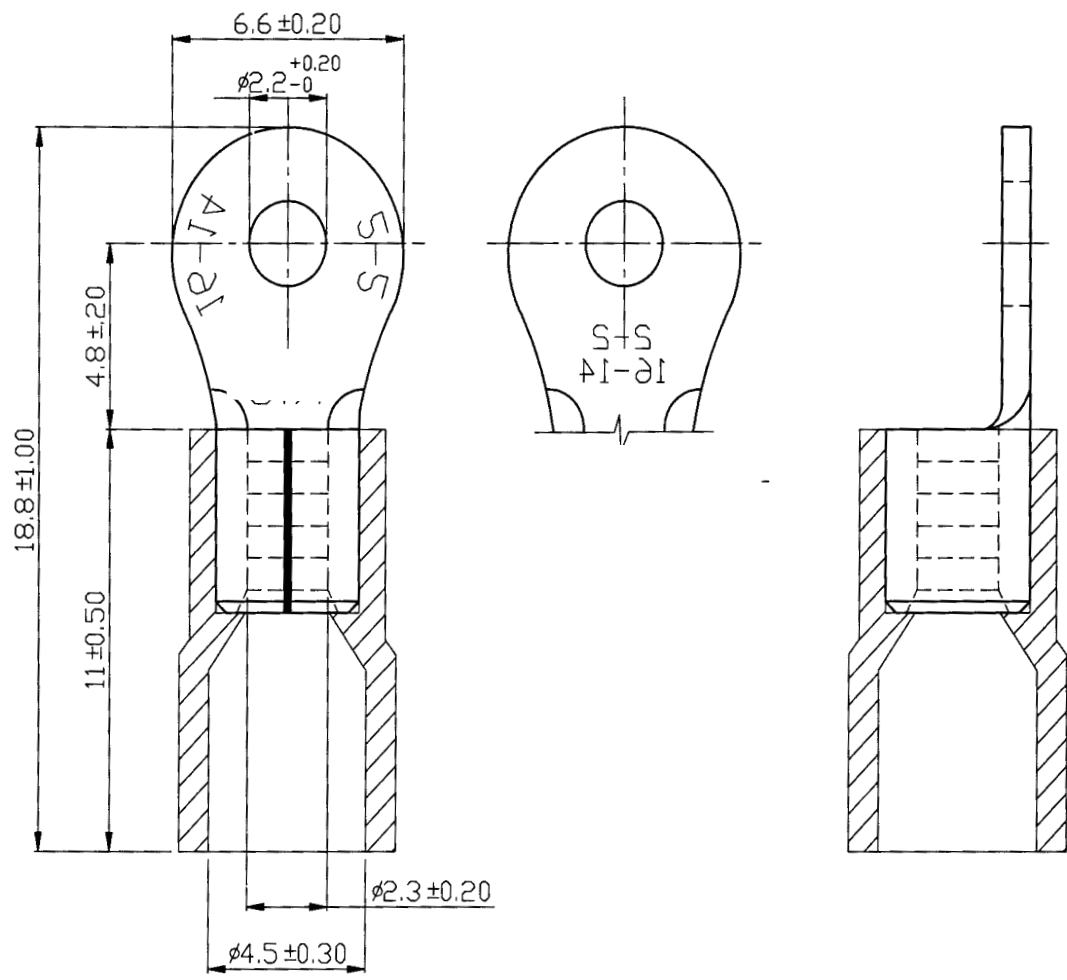


A B C D E F G H X

REV DESCRIPTION DATE



NOTE:  
 1. MAXIMUM ELECTRIC CURRENT:  $\frac{\text{A.W.G.} | 16 | 14}{\text{A.M.P.} | 18 | 30}$   
 2. MAXIMUM ELECTRICAL RATING: 75°C 600VOLTS MAX.  
 3. INSULATION MATERIAL: VINYL  
 4. INSULATION COLOR: BLUE  
 5. TERMINAL MATERIAL: COPPER  
 6. WIRE RANGE: 16-14 (1.5-2.5mm<sup>2</sup>)



Tolerance Unless Otherwise Specified

0 >	mm ±	ANGLE
>	mm ±	0° ° REF ±
>	mm ±	° ° ±
>	mm ±	° ° ±

ITEM NO.		
BRAZED SEAM	RVYB2-2	RVYB2-2@
BUTTED SEAM	RVY2-2	RVY2-2@

NAME	VINYL-INSULATED (MOLDED) RING TERMINALS				UNIT	7mm	
PART NO.	See Chart	MATERIAL	-----	APPROVE			
NUMBER	KA-94300-C	SCALE	SHEET PAGE	CHECKED			
DATE	2005/09/07	4/1	1-0 10F1	DRAWN	張馨尹		

A B C D E F G H X