

Toggle Switch



Feature:

- Epoxy sealed terminations

Specifications:

Electrical Life	: 40,000 make-and-break cycles at full load
Contact Resistance	: 10mΩ max. initial at 2 - 4V DC 100mA for both silver and gold plated contacts
Insulation Resistance	: 1,000MΩ min.
Dielectric Strength	: 1,000V RMS at sea level
Operating Temperature	: -30°C to +85°C

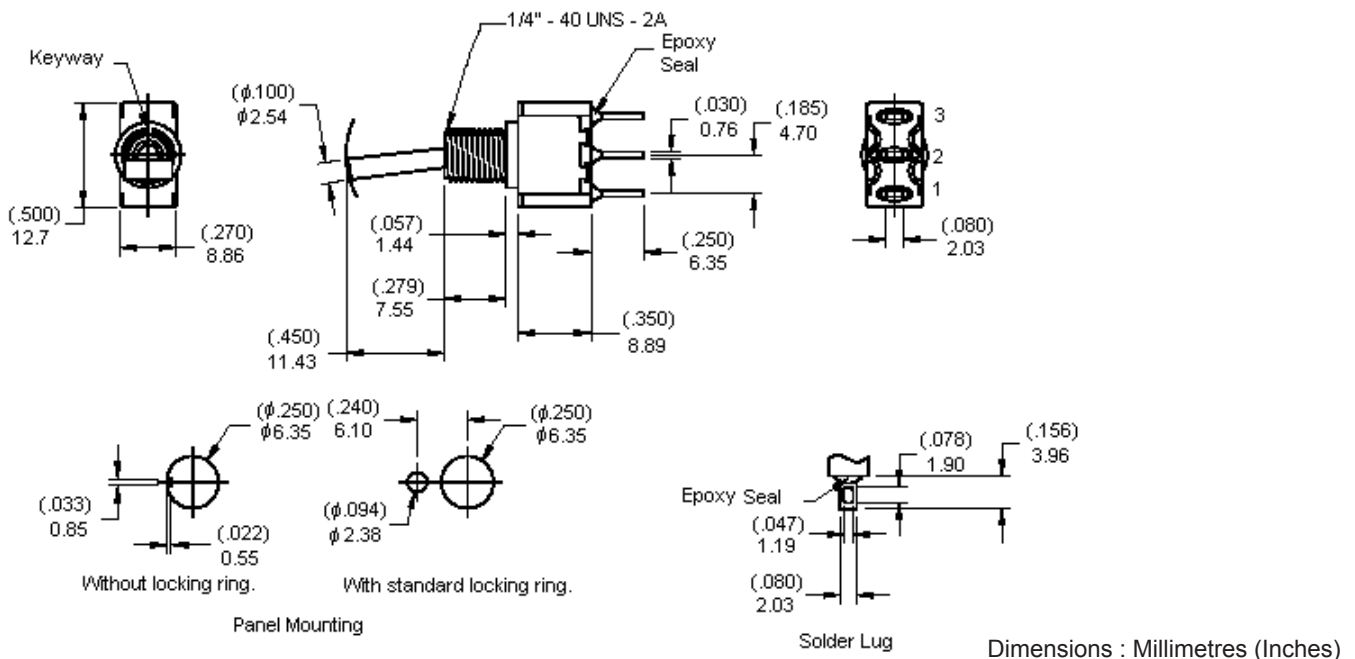
Materials:

Case	: Dially phthalate (DAP)
Actuator	: Brass, Chrome plated
Bushing	: Brass, Nickel plated
Housing	: Stainless Steel
Terminal/Contact	: Silver or gold plated

Rating:

R	: 0.4 Volt-Amps (VA) maximum at 20V maximum (AC or DC).
Q	: 2A at 250V AC 5A at 120V AC or 28V DC

Diagram



Part Number Table

Description	Type	Bush Thread	Lever Length	Part Number
Flat Toggle	SPDT mom-off-mom	1/4" x 40 NS	10.4	1MS4T6B11M1QE

Dimensions : Millimetres

Important Notice : This data sheet and its contents (the "Information") belong to the members of the AVNET group of companies (the "Group") or are licensed to it. No licence is granted for the use of it other than for information purposes in connection with the products to which it relates. No licence of any intellectual property rights is granted. The Information is subject to change without notice and replaces all data sheets previously supplied. The Information supplied is believed to be accurate but the Group assumes no responsibility for its accuracy or completeness, any error in or omission from it or for any use made of it. Users of this data sheet should check for themselves the Information and the suitability of the products for their purpose and not make any assumptions based on information included or omitted. Liability for loss or damage resulting from any reliance on the Information or use of it (including liability resulting from negligence or where the Group was aware of the possibility of such loss or damage arising) is excluded. This will not operate to limit or restrict the Group's liability for death or personal injury resulting from its negligence. Multicomp Pro is the registered trademark of Premier Farnell Limited 2019.