

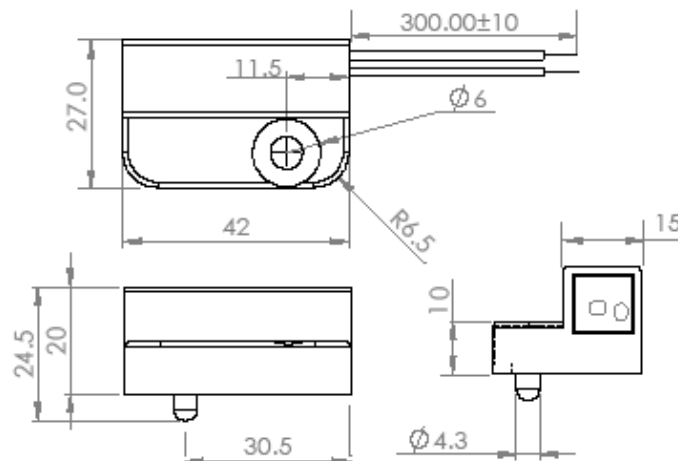
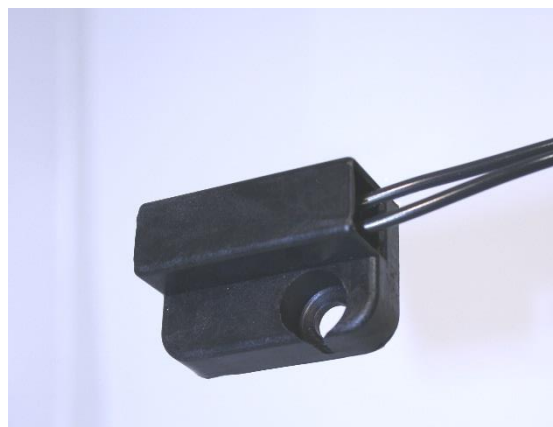


ENGLISH

Datasheet

RS Pro Part No: 136-5756

RS Pro Ferrous Metal Sensor - Non powered



Specifications

- Normally open contacts that close in the presence of a ferrous metal
- 6mm activation distance (may vary depending on iron content)
- Switching voltage 140 Volts AC, 200 Volts DC
- Maximum switching load 10 Watts, 0.5 Amps
- Operating Temperature -40° to 85°C
- ABS housing material
- 2 x 20 AWG 105°C Black Cable
- Side Sensing Target