

**RoHS
Compliant**



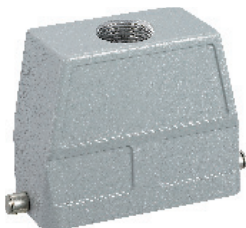
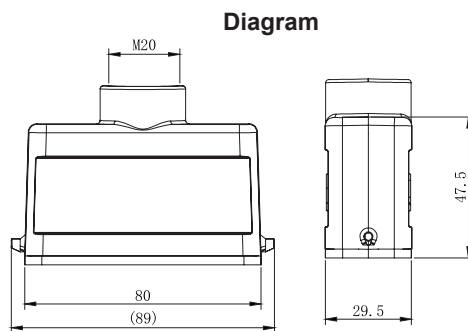
Specifications

Surface	: Powder-Coated
Material	: Aluminium Die-Cast
Colour	: Grey
Hoods/Housings Sealing	: NBR
Temperature Range	: -40°C to +125°C
IP Rating	: IP65

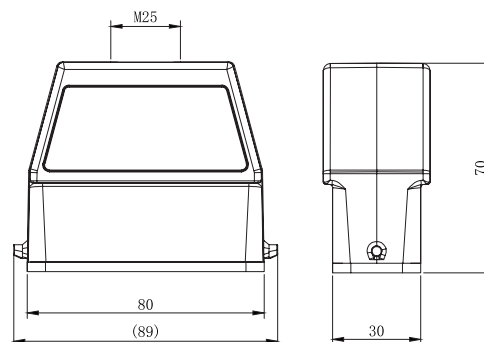
Hoods, Metal, Top Entry



MP009402



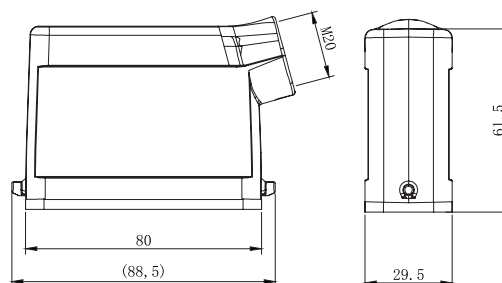
MP009403



Hoods, Metal, Side Entry



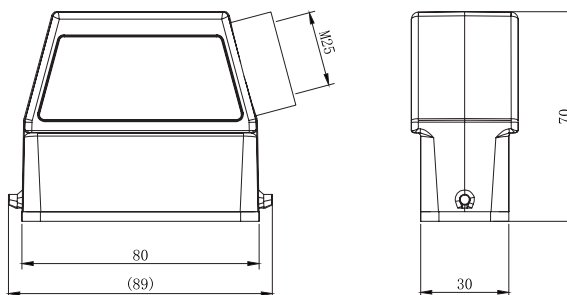
MP009404



Dimensions : Millimetres



MP009405



Part Number Table

Description	Part Number
Hood, H16A , Metal, Top Entry, 2 Locking Points, M20	MP009402
Hood, H16A , Metal, Top Entry, High, 2 Locking Points, M25	MP009403
Hood, H16A , Metal, Side Entry 2 Locking Points M20	MP009404
Hood, H16A , Metal, Side Entry, High, 2 Locking Points M25	MP009405

Dimensions : Millimetres

Important Notice : This data sheet and its contents (the "Information") belong to the members of the AVNET group of companies (the "Group") or are licensed to it. No licence is granted for the use of it other than for information purposes in connection with the products to which it relates. No licence of any intellectual property rights is granted. The Information is subject to change without notice and replaces all data sheets previously supplied. The Information supplied is believed to be accurate but the Group assumes no responsibility for its accuracy or completeness, any error in or omission from it or for any use made of it. Users of this data sheet should check for themselves the Information and the suitability of the products for their purpose and not make any assumptions based on information included or omitted. Liability for loss or damage resulting from any reliance on the Information or use of it (including liability resulting from negligence or where the Group was aware of the possibility of such loss or damage arising) is excluded. This will not operate to limit or restrict the Group's liability for death or personal injury resulting from its negligence. Multicomp Pro is the registered trademark of Premier Farnell Limited 2019.