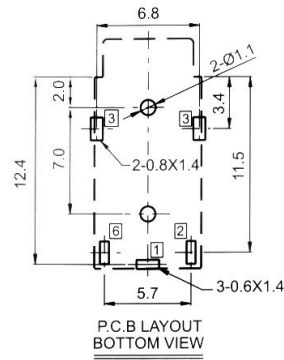
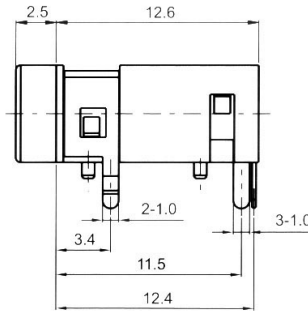
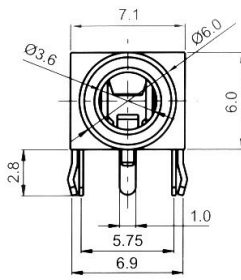


CLIFF

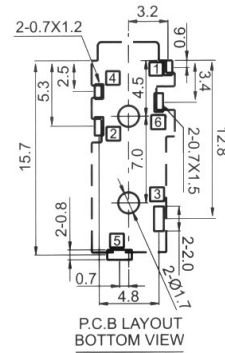
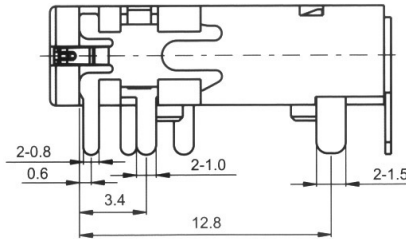
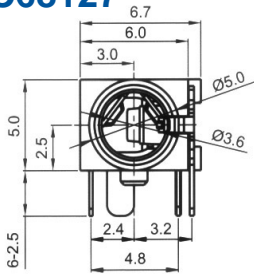
3.5mm 4 Pole Jack Sockets

FC68125



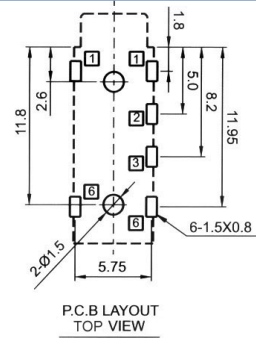
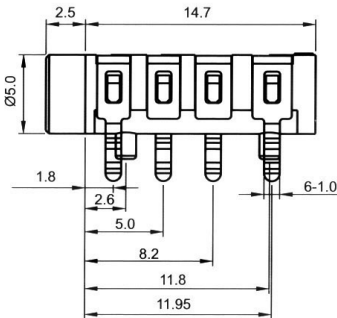
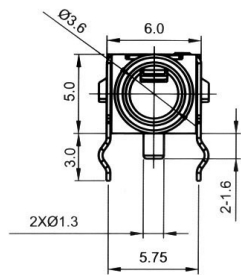
Model No.	FC68125
Schematic	

FC68126, FC68127



Model No.	Schematic
FC68126	
FC68127	

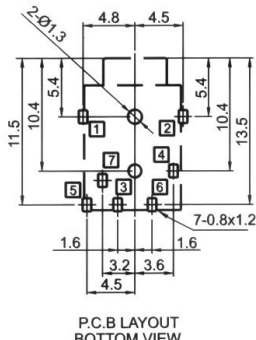
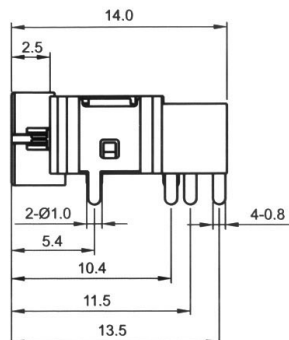
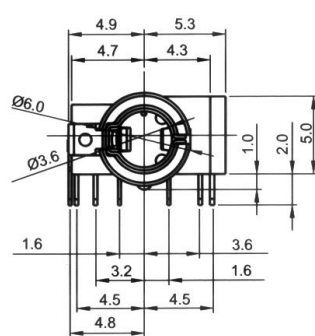
FC68128



Model No.	FC68128
Schematic	

Not compatible with plug FC68124. Suitable only for overmoulded plugs FC68122 (Ni) & FC68122G (Gold).

FC68129



Model No.	Schematic
FC68129	



FC68124 - 3.5mm 4 pole Jack Plug, Assembly type.

Note: This plug is not to be used with FC68128

